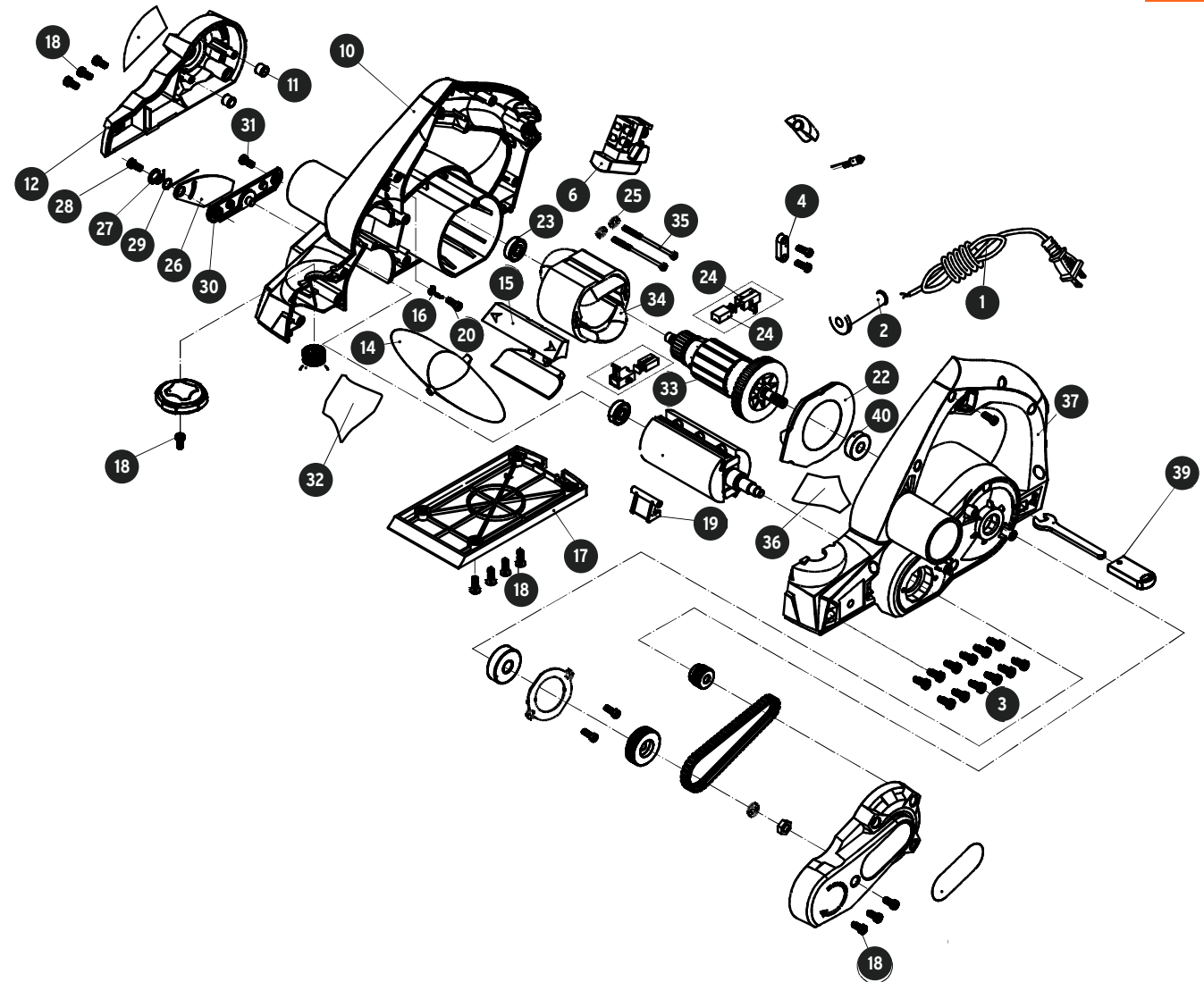


A

No.	Código	Clave	Descripción
1	921461	R1-CEPEL-3-1/4N	Cable
2	921462	R2-CEPEL-3-1/4N	Protector de cable
3	921463	R3-CEPEL-3-1/4N	Pija
4	921465	R4-CEPEL-3-1/4N	Opresor de cable
6	921466	R6-CEPEL-3-1/4N	Interruptor
9	921467	R9-CEPEL-3-1/4N	Mango
10	921468	R10-CEPEL-3-1/4N	Carcasa derecha
11	921469	R11-CEPEL-3-1/4N	Amortiguador
12	921470	R12-CEPEL-3-1/4N	Carcasa derecha
14	921471	R14-CEPEL-3-1/4N	Salida de polvo ajustable
15	921472	R15-CEPEL-3-1/4N	Botón de cambio
16	921473	R16-CEPEL-3-1/4N	Resorte
17	921474	R17-CEPEL-3-1/4N	Placa base
18	921475	R18-CEPEL-3-1/4N	Tornillo St 4x10
19	921476	R19-CEPEL-3-1/4N	SopORTE
20	921477	R20-CEPEL-3-1/4N	Tornillo St 4x8
21	921478	R21-CEPEL-3-1/4N	Tablilla
22	921479	R22-CEPEL-3-1/4N	Deflector de aire
23	921480	R23-CEPEL-3-1/4N	Balero 626
24	921481	R24-CEPEL-3-1/4N	Carbón y portacarbón
25	921482	R25-CEPEL-3-1/4N	Arandela plana
26	921483	R26-CEPEL-3-1/4N	Deflector
27	921484	R27-CEPEL-3-1/4N	Cojinete
28	921485	R28-CEPEL-3-1/4N	Tornillo 4x19
29	921486	R29-CEPEL-3-1/4N	Resorte
30	921487	R30-CEPEL-3-1/4N	SopORTE
31	921488	R31-CEPEL-3-1/4N	Tornillo 3x7
32	921489	R32-CEPEL-3-1/4N	Guía de viento bloque A
33	921490	R33-CEPEL-3-1/4N	Armadura
34	921491	R34-CEPEL-3-1/4N	Campo
35	921492	R35-CEPEL-3-1/4N	Tornillo 4x50
36	921493	R36-CEPEL-3-1/4N	Guía de viento bloque B
37	921494	R37-CEPEL-3-1/4N	Carcasa izquierda
39	921496	R39-CEPEL-3-1/4N	Tubo de llave
40	921497	R40-CEPEL-3-1/4N	Balero 608



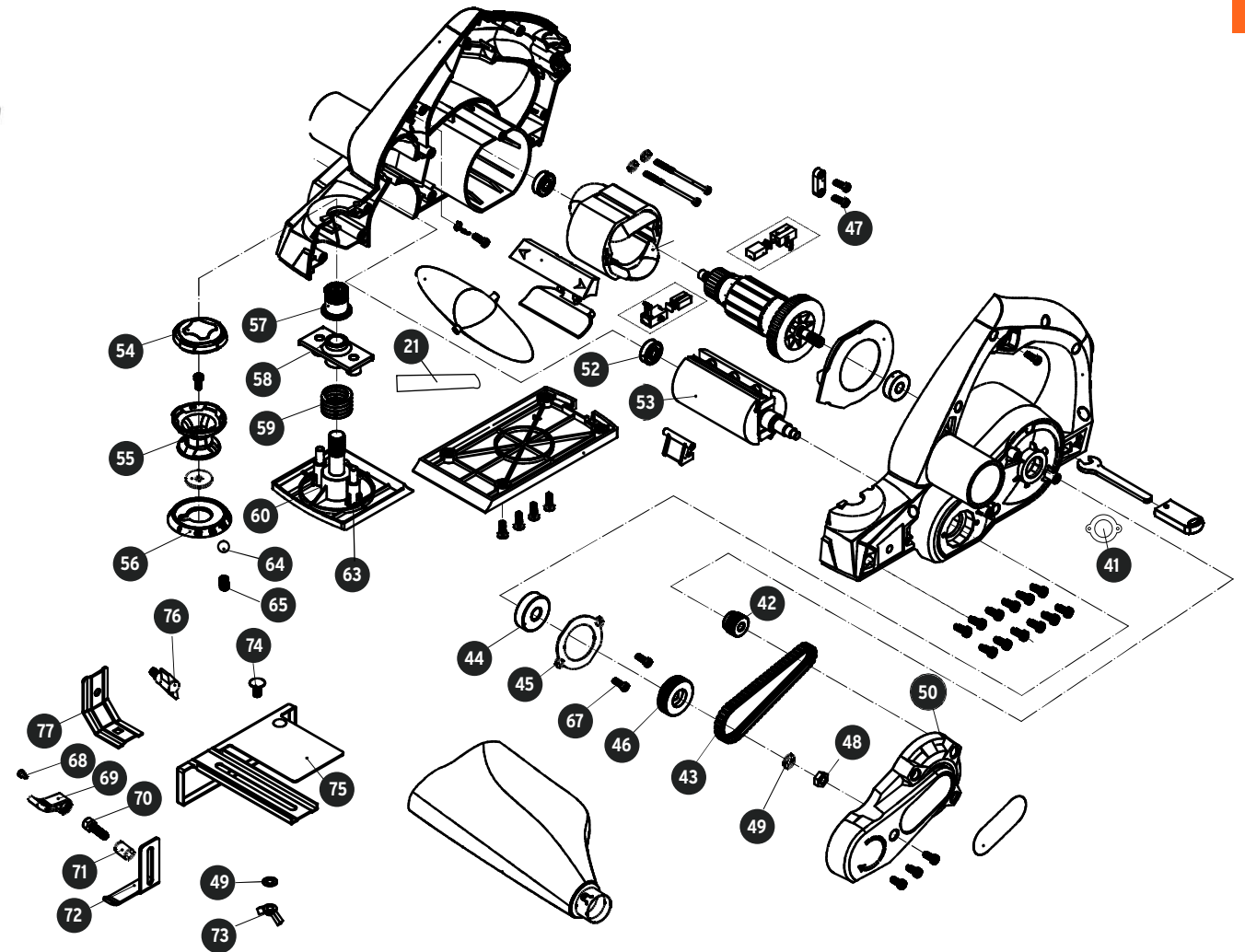
A

Si tienes dudas, llama a la
Línea de Comunicación Directa

800-0187-873 Exclusivo
para México

B

No.	Código	Clave	Descripción
41	921498	R41-CEPEL-3-1/4N	Soporte de balero pequeño
42	921499	R42-CEPEL-3-1/4N	Polea chica
43	921500	R43-CEPEL-3-1/4N	Banda
44	921501	R44-CEPEL-3-1/4N	Balero 6200
45	921502	R45-CEPEL-3-1/4N	Soporte de balero grande
46	921503	R46-CEPEL-3-1/4N	Polea grande
47	921504	R47-CEPEL-3-1/4N	Tornillo 4x16
48	921505	R48-CEPEL-3-1/4N	Tuerca M6
49	921506	R49-CEPEL-3-1/4N	Arandela 6
50	921507	R50-CEPEL-3-1/4N	Cubierta izquierda
52	921508	R52-CEPEL-3-1/4N	Balero 606
53	921509	R53-CEPEL-3-1/4N	Cabeza de corte
54	921510	R54-CEPEL-3-1/4N	Cubierta de perilla
55	921511	R55-CEPEL-3-1/4N	Perilla de ajuste
56	921512	R56-CEPEL-3-1/4N	Marca graduada
57	921513	R57-CEPEL-3-1/4N	Tuerca de buje
58	921514	R58-CEPEL-3-1/4N	Soporte de perilla
59	921515	R59-CEPEL-3-1/4N	Resorte
60	921516	R60-CEPEL-3-1/4N	Placa de ajuste "A"
63	921519	R63-CEPEL-3-1/4N	Tornillo M6x16
64	921520	R64-CEPEL-3-1/4N	Balín 4
65	921521	R65-CEPEL-3-1/4N	Resorte
67	921522	R67-CEPEL-3-1/4N	Tornillo St 4x10
68	921523	R68-CEPEL-3-1/4N	Tornillo 4x6
69	921524	R69-CEPEL-3-1/4N	Perilla
70	921525	R70-CEPEL-3-1/4N	Tornillo M6x24
71	921526	R71-CEPEL-3-1/4N	Buje
72	921527	R72-CEPEL-3-1/4N	Placa de profundidad
73	921528	R73-CEPEL-3-1/4N	Tuerca mariposa
74	921529	R74-CEPEL-3-1/4N	Tornillo M6x12
75	921530	R75-CEPEL-3-1/4N	Zapata guía
76	921531	R76-CEPEL-3-1/4N	Perilla
77	921532	R77-CEPEL-3-1/4N	Marco fijador
78	ACC		Cuchillas



B

Si tienes dudas, llama a la
Línea de Comunicación Directa

800-0187-873 Exclusivo
para México