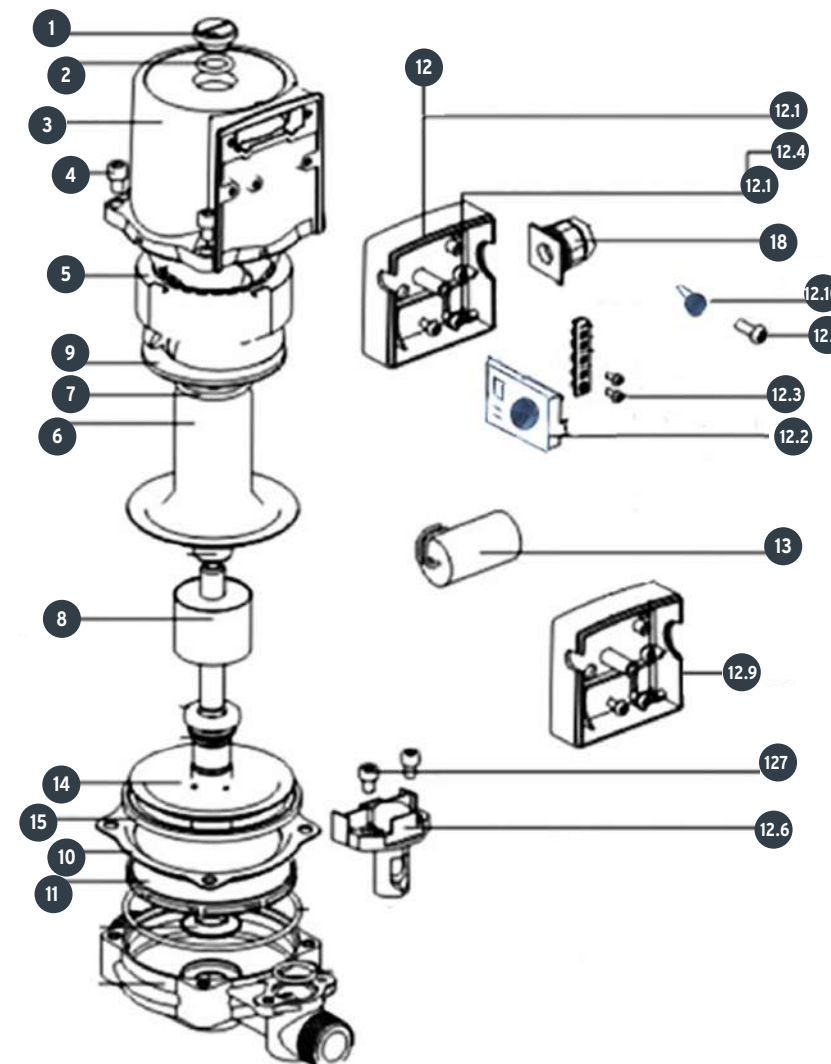


A

No.	Código	Clave	Descripción
1	941272	R1-PRE-1/6	Tornillo de purga
2	941273	R2-PRE-1/6	Sello
3	941274	R3-PRE-1/6	Carcasa de motor
4	941275	R4-PRE-1/6	Tornillo M4x12
5	941276	R5-PRE-1/6	Campo
6	941277	R6-PRE-1/6	Manga de rotor
7	941278	R7-PRE-1/6	Perno
8	941279	R8-PRE-1/6	Rotor
9	941280	R9-PRE-1/6	Impulsor
10	941281	R10-PRE-1/6	Tapa de bomba
11	941282	R11-PRE-1/6	Sello Ø85
12	ACC		Caja de conexiones
12.1	941283	R12.1-PRE-1/6	Base de conexiones
12.1	941284	R12.1-PRE-1/6	Junta de caja
12.2	941285	R12.2-PRE-1/6	Tabla de conexiones
12.3	941286	R12.3-PRE-1/6	Tornillo M4x12
12.4	941287	R12.4-PRE-1/6	Soporte para tarjeta
12.5	941288	R12.5-PRE-1/6	Tarjeta principal
12.6	941289	R12.6-PRE-1/6	Interruptor de flujo
12.7	941290	R12.7-PRE-1/6	Tornillo M5x18
12.8	941291	R12.8-PRE-1/6	Opresor de cable
12.9	941292	R12.9-PRE-1/6	Tabla de conexiones
12.10	941293	R12.10-PRE-1/6	Perilla de encendido
12.11	941294	R12.11-PRE-1/6	Tornillo M4x12
13	941295	R13-PRE-1/6	Capacitor 8F
14	941296	R14-PRE-1/6	Deflector
15	941297	R15-PRE-1/6	Arandela de conexiones
16	ACC		Placa de características
17	941298	R17-PRE-1/6	Cable de alimentación
18	941299	R18-PRE-1/6	Conexión de salida



A