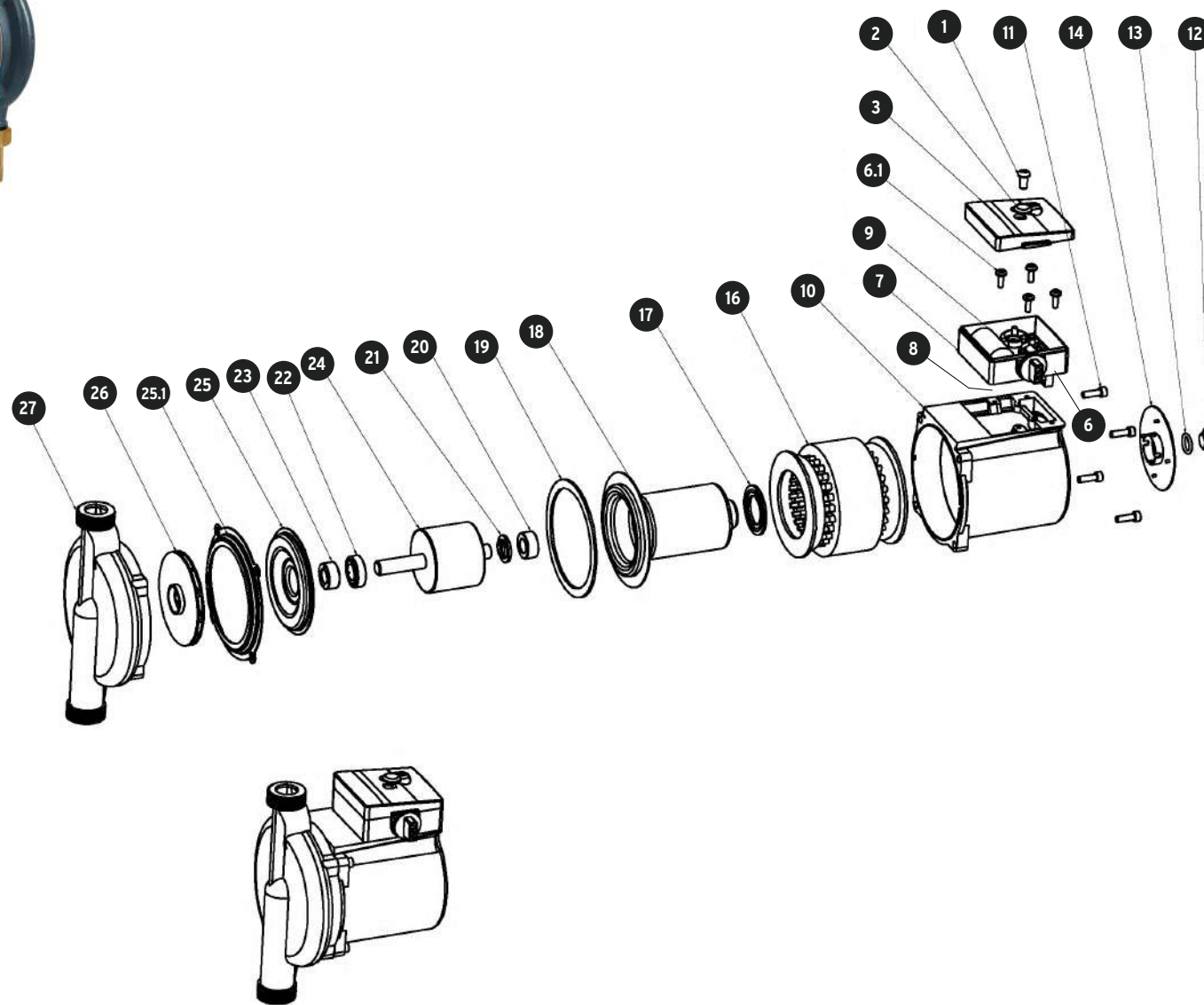


| No. | Código | Clave | Descripción |
|-------|--------|---------------|------------------------------|
| 1 | 941300 | R1-PRE-1/3 | Tornillo M4x12 |
| 2 | 941301 | R2-PRE-1/3 | Perilla de encendido |
| 3 | 941302 | R3-PRE-1/3 | Tapa de conexiones |
| 6 | 941303 | R6-PRE-1/3 | Interruptor |
| 6.1 | 941304 | R6.1-PRE-1/3 | Tornillo M4x12 |
| 7 | 941305 | R7-PRE-1/3 | Caja de conexiones |
| 8 | 941306 | R8-PRE-1/3 | Junta de caja |
| 9 | 941307 | R9-PRE-1/3 | Capacitor 18 F |
| 10-15 | 941308 | R10-PRE-1/3 | Carcasa de motor |
| 11 | 941309 | R11-PRE-1/3 | Tornillos M6x18 |
| 12 | 941310 | R12-PRE-1/3 | Tornillo de purga |
| 13 | 941311 | R13-PRE-1/3 | Sello |
| 14 | 941312 | R14-PRE-1/3 | Placa de datos |
| 16 | 941313 | R16-PRE-1/3 | Campo |
| 17 | 941314 | R17-PRE-1/3 | Sello |
| 18 | 941315 | R18-PRE-1/3 | Manga de rotor |
| 19 | 941316 | R19-PRE-1/3 | Sello |
| 20 | 941317 | R20-PRE-1/3 | Perno |
| 21 | 941318 | R21-PRE-1/3 | Empaque |
| 22 | 941319 | R22-PRE-1/3 | Perno |
| 23 | 941320 | R23-PRE-1/3 | Perno |
| 24 | 941321 | R24-PRE-1/3T | Rotor |
| 25 | 941322 | R25-PRE-1/3 | Deflector |
| 25.1 | 941323 | R25.1-PRE-1/3 | Junta |
| 26 | 941324 | R26-PRE-1/3 | Impulsor |
| 26.1 | 941325 | R26.1-PRE-1/3 | Sello |
| 27 | 941326 | R27-PRE-1/3 | Tapa de bomba |
| 30 | 941327 | R30-PRE-1/3 | Interruptor de flujo de agua |
| 31 | 94128 | R31-PRE-1/3 | Cable con interruptor |
| 32 | 941329 | R32-PRE-1/3 | Sujetador de cable |
| 33 | 941330 | R33-PRE-1/3 | Coenxión de salida |
| 34 | 941331 | R34-PRE-1/3 | Interruptor |



Si tienes dudas, llama a la Línea de Comunicación Directa

800-0187-873 Exclusivo para México