

Manual

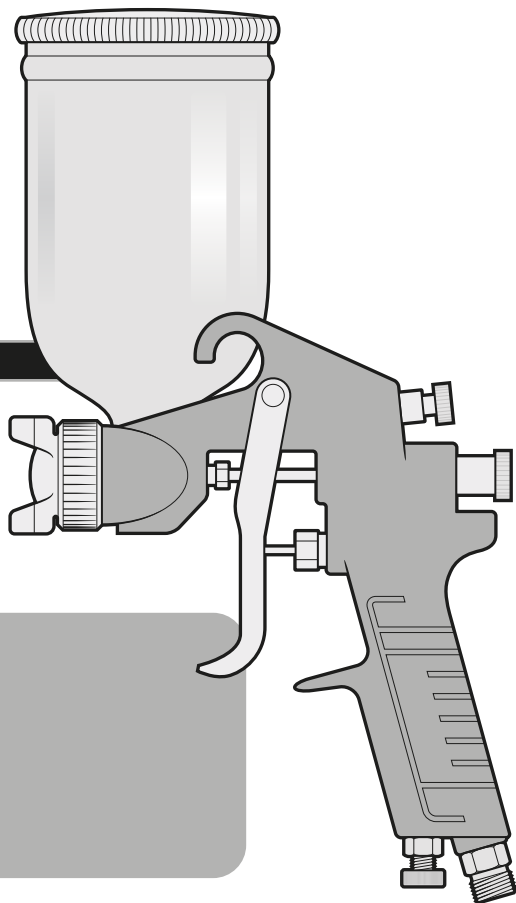
# Gravity feed spray gun



**30 PSI - 50 PSI**

Air Pressure

Applies for:

Code	Model
11095	PIPI-420
13061	PIPI-421
13060	PIPI-422

 **CAUTION**Read the user's manual thoroughly  
before operating this tool.

Technical Data .....	<b>2</b>
Pneumatic Requirements .....	<b>2</b>
 Safety Warnings for the Use of Pneumatic Tools .....	<b>3</b>
 Safety Warnings for the Use of Gravity feed spray guns .....	<b>4</b>
Parts .....	<b>5</b>
Preparation .....	<b>6</b>
Start Up .....	<b>7</b>
Maintenance .....	<b>8</b>
Troubleshooting .....	<b>9</b>
Notes .....	<b>10</b>

## CAUTION

To gain the best performance of the tool, prolong the duty life, make the Warranty valid if necessary, and to avoid hazards of fatal injuries please read and understand this Manual before using the tool.

Keep this manual for future references.


The illustrations in this manual are for reference only. They might be different from the real tool.

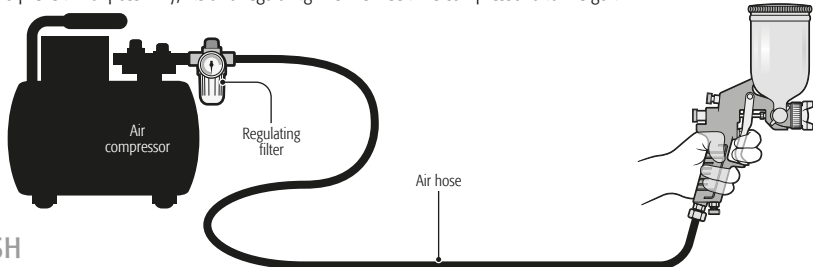
## Technical Data

	<b>PIPI-420</b>	<b>PIPI-421</b>	<b>PIPI-422</b>
<b>Code</b>	11095	13061	13060
<b>Description</b>	Gravity feed spray gun		
<b>Jar Capacity</b>	13.5 oz		
<b>Air Pressure</b>	30 PSI – 50 PSI		
<b>Connection Diameter</b>	1/4 NPT		
<b>Air Consumption</b>	6 CFM		
<b>Nozzle Diameter</b>	0.05"	0.06"	0.07"

## Pneumatic Requirements

- For household jobs, it is possible to use 1.5 CV compressors with a 25 liters' deposit. For more demanding jobs, like bodywork, industry, etc., we recommend using 3 CV compressors with a 100-liter deposit as minimum.
- Use high-pressure hoses with the adequate length to do the job comfortably.

 **CAUTION** • Dust and water condensation inside the compressor tank can cause a deficient finish in the surface to be painted. To prevent that possibility, install a regulating filter between the compressor and the gun.



# Safety Warnings

## for the Use of Pneumatic Tools

### Keep your work area clean, tidy and well lit.

**CAUTION** Cluttered and dark areas may cause accidents.



### Never use the tool in explosive environments or near flammable liquids.

**DANGER** Sparks generated by the tool may cause explosion or fire.



### Keep children and visitors at a safe distance when using the tool.

**WARNING** Distractions may cause losing control and cause accidents.



### Avoid contact with power lines and circuits.

**DANGER** Find and avoid both power lines and circuits, especially hidden wires and grounded devices.



### Stay alert, use care and common sense.

**CAUTION** Do not rely on your knowledge of the tool. Do not get distracted while operating it. It could cause accidents.



### Do not use the tool when tired or under the influence of drugs, alcohol or medication.

**DANGER** One second of distraction while using the tool may cause severe injuries.



### Use the tool with guards and protective devices in place and in good working conditions.

**WARNING** Failure to comply with these measures may cause severe injuries.



### Secure and support the work piece properly.

**CAUTION** Use bench vices and a stable working area.

### Do not force the tool.

**CAUTION** It will do the job better and safer at the rate for which it was intended.



### Store the tool in a safe place away from the reach of children.

**WARNING** Power tools are dangerous for inexperienced people.



### Dress properly.

**WARNING** Loose clothing, jewelry or long hair may get caught in moving parts.



### Keep your hands away from rotating and/or mobile parts.

**WARNING** Failure to comply with this safety measure exposes you to severe personal injury.



### Use adequate personal protection.

**CAUTION** Using safety glasses, anti-dust mask, safety non-skid shoes, helmet and earplugs used in adequate conditions considerably reduce the risk of injury.



### Disconnect the air hose from the tool servicing, changing devices or storing.

**WARNING** Reduce the risk of unintentional starting causing accidents.



### Never use a tool if the switch is not working or is not properly assembled.

**WARNING** You are exposed to severe personal injury.



### Do not overreach.

**CAUTION** Good footing and balance allow you to gain better control of the tool in unexpected situations.



### Never pull the air hose.

**WARNING** Do not use it to carry or disconnect the tool pulling out the air supply. Damaged or tangled hoses can burst and shoot residues towards the operator.



### Avoid accidental start up.

**WARNING** Make sure the air supply tool is switched off before connecting or moving the tool.



### Remove vices before starting the tool.

**DANGER** Additional tools or vices set into a moving part may cause severe injury.




### Service the tool and verify it is in excellent working conditions.

**CAUTION** Carefully check all moving parts, alignment and assembly. Make this periodically. Look for damaged or malfunctioning parts to immediately be repaired.



### Accessories.

**CAUTION** Use only accessories or spare parts recommended in this MANUAL or certified by  TRUPER.



### Never leave a running tool unattended.

**CAUTION** Switch off and disconnect the tool from the air supply after operating and before putting it aside. Avoid severe injury.



## Substances and Materials

**⚠ CAUTION** • The unit is designed to apply covering materials like paint, varnish, enamel, etc. These should have an ignition point not lower than 70 °F. Check the product can label or container.

**⚠ WARNING** • Do not spray substances you are not familiar with and if their potential danger is unknown to you.

**⚠ WARNING** • Do not spray flammable substances.  
• Use care with dangers originated by the sprayed substances. Read the text and information in the cans and containers or the manufacturer specifications.

## Before operating the unit

**⚠ CAUTION** • The unit shall not be used in enclosed areas or explosive environments.

• If working outdoors consider wind direction. Wind carries the covering to great distances, causes damages and makes the job difficult.

**⚠ CAUTION** • If working indoors, verify there is adequate ventilation.

**⚠ WARNING** • The work area shall be free of any ignition source. Do not smoke while spraying or near the work area.

**⚠ CAUTION** • Wear a face mask and safety goggles when spraying. Prevents damaging lungs and eyes.  
• Wearing gloves and an overall is recommended to protect hands and clothes from the product when applying.



## While operating the device

**⚠ CAUTION** • Never point the sprayer towards your body, passersby or animals.

• Make sure that the equipment does not absorb any steam solvent.

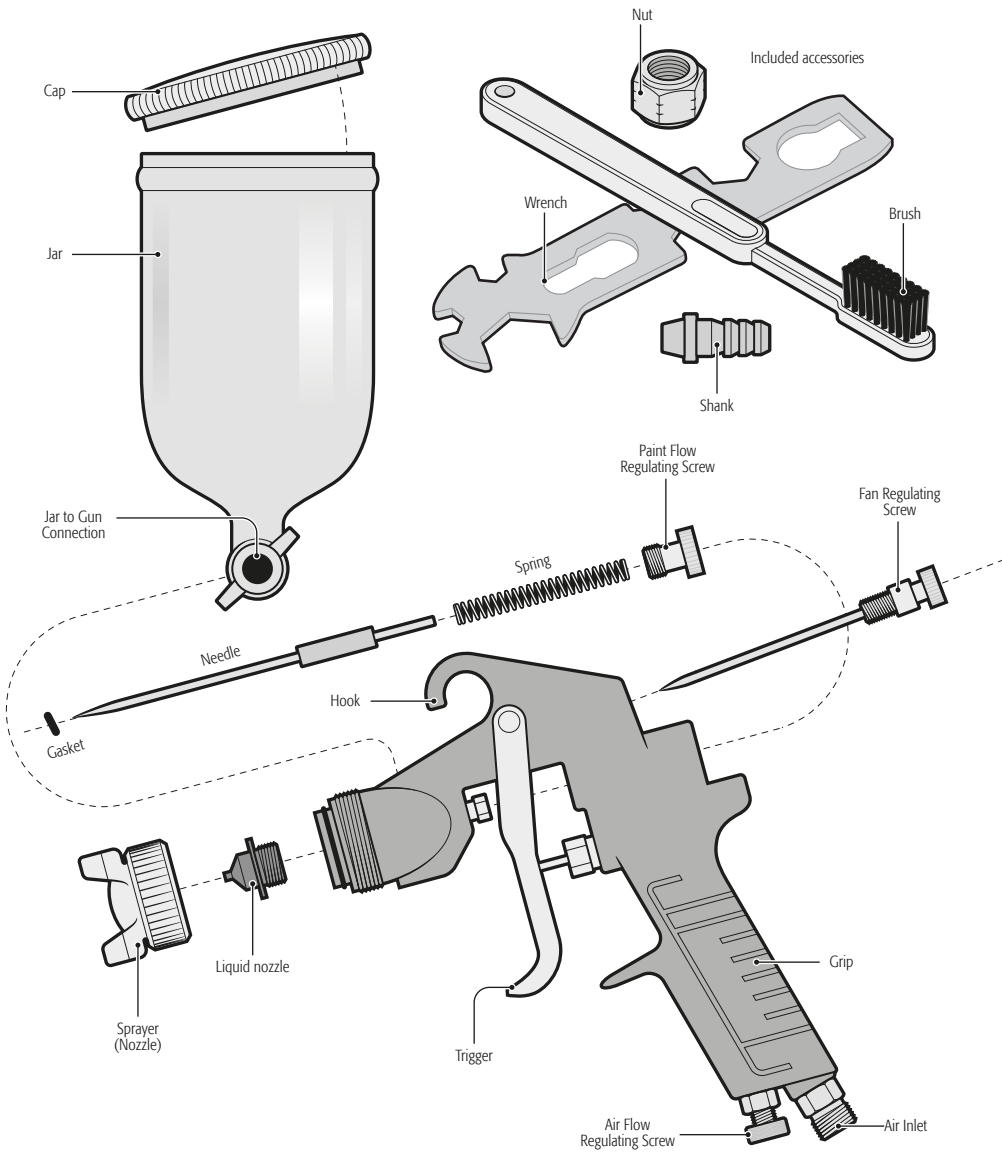
**⚠ CAUTION** • In the event you need to pause during the application process, do not set the sprayer sideways. Hold it by the hook of somewhere for it be vertical.

## After operating the unit

**⚠ WARNING** • When finishing the job clean the gun perfectly to eliminate any product residue. Accumulations can damage the gun and cancel the Warranty

# Parts

**TRUPER®**



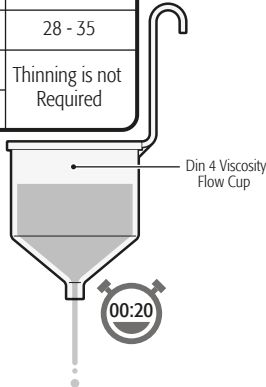
- Preparing the surface to be sprayed is important to carry out a good job. Thin the paint or product to gain the right viscosity before applying.
- Double check always the surface to be sprayed is free of dust, dirt or grease.
- Make sure to cover with adhesive tape, some newspaper and/or plastic those areas that do not require spraying.
- Paint or product to be sprayed shall be mixed perfectly before filling the jar to prevent settling and make them lump-free.
- Before buying the product read the manufacturer recommendations.

## Thinning the material

- Most paints are sold ready to be used with a brush. They need to be thinned before applying with a paint gun.
- Follow the manufacturer's instructions to correctly thin the material.
- Adding a thinner is recommended. Add 5 to 10% until reaching the right viscosity to apply the material.
- Use the din 4 viscosity flow cup (not included) to determine the paint right viscosity. Viscosity is determined by counting the seconds it takes for the material to be discharged into the measuring glass. The following table shows the recommended times for different products.

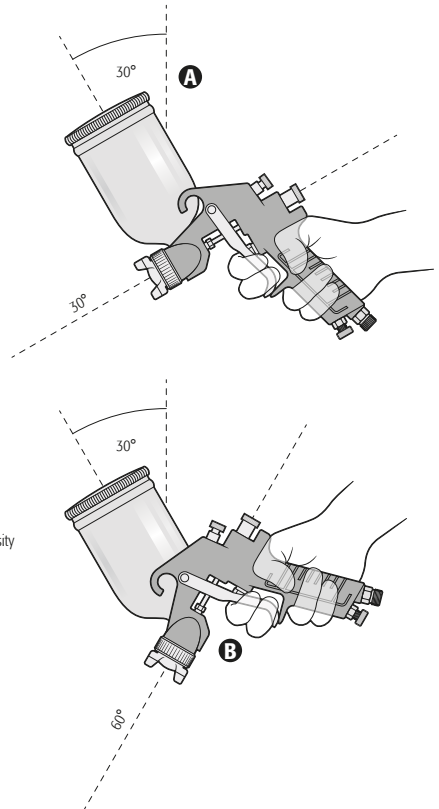
Product	Second to discharge
Water based Paint	20 - 25
Primer	24 - 28
Varnish	20 - 25
Oil Based Paint	18 - 22
Enamel Paint	18 - 22
Aluminum Paint	22 - 25
Automotive Sealant	25 - 35
Wood Sealant	28 - 35
Wood Preserver	Thinning is not Required
Wood Stain	

- If after thinning the product the dispersion capacity is too low add thinner. Add slowly from 5 to 10 % until the dispersion capacity meets your needs.
- If the paint is too thick, the painted surface will be too rough (orange peel). If the paint is too liquid, there is risk of dripping.



## Filling the Jar

- Unscrew the paint gun jar to fill up with paint. Close the cap to prevent spilling.
- The jar can easily be filled up during the paint process.
- The jar shall not be tilted more than 30° from the vertical to assure a continuous paint flow (A).
- In the event the job requires tilting the gun more than 30° you can adjust the jar to compensate the vertical and keep the paint flow running (B).



## Adjusts

**CAUTION** • During the adjusting process and before applying the paint onto the work surface make some tests on scrap material until gaining the adequate paint flow.

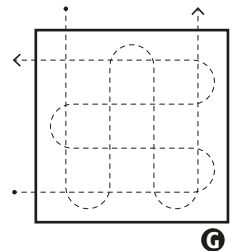
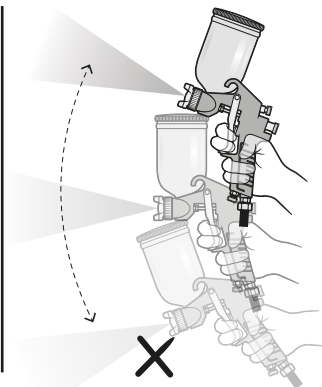
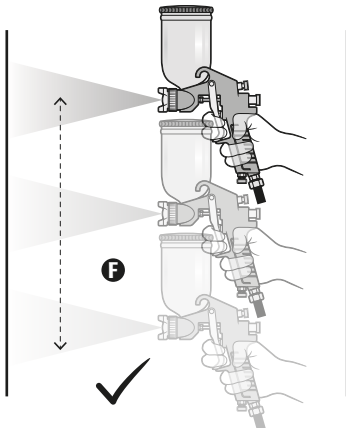
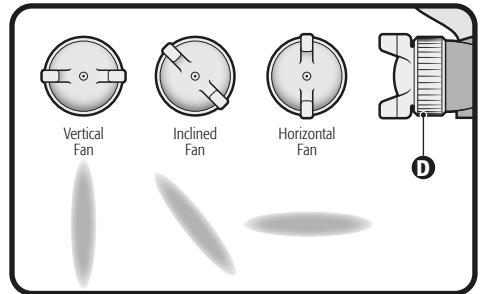
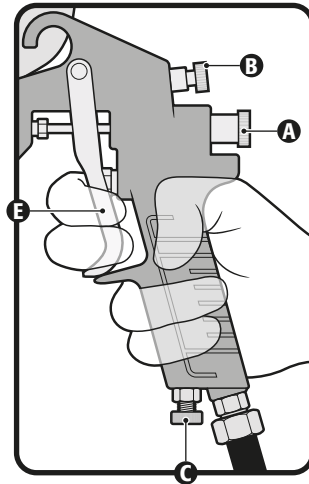
- Turn the adjusting screw **(A)** in a counterclockwise direction to increase the volume of the material to be sprayed.
- Turn the adjusting screw in a clockwise direction to diminish the volume of the material to be sprayed.
- Turn the adjusting screw **(B)** to modify the fan pattern needed to apply the paint.
- Turn the adjusting screw **(C)** to modify the air flow needed to apply paint.
- Turn the sprayer **(D)** to determine the angle to apply the spray pattern.

## Spraying Techniques

- To gain best results keep the gun always parallel to the surface **(F)**. Keep the nozzle 7.8" - 12" from the surface and spray in an even manner from one side to the other and upwards and downwards. Do not spray in an angle with regards to the surface. Pass softly and evenly. When spraying on large areas use the crossed pattern **(G)**.
- Displace the gun using uniform and constant speed. Fast movements produce thin layers and slow movements, produce thick layers.
- Apply one layer at a time. If another layer is needed see the drying recommendations in the manufacturer product before applying a second layer. Keep in mind that to gain a better finish applying two thin layers is always better than one thick layer.
- When spraying small areas turn the adjusting screw to reduce the volume of material to be applied. This is helpful to use less paint and prevents from over-spraying.
- To assure applying evenly avoid pausing while spraying an object when possible.

## Turning on

- Turn on the compressor.
- Press the trigger **(E)** to open the air flow and start suctioning the product from the jar. Aim the gun against a piece of cardboard until the spraying starts.
- Release the trigger to stop the spraying flow.



**Cleaning and Care**

• It is very important to clean the paint gun thoroughly after each use.

**⚠ WARNING** Inadequate cleaning will result in malfunctioning and will cancel the Warranty.

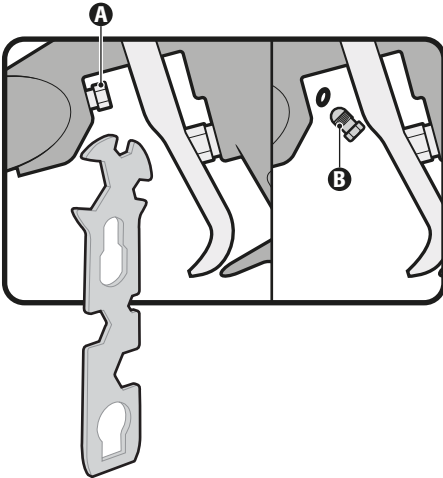
- Without removing the jar press the trigger to remove all the product inside the system.
- Pour the remaining material into an adequate container.
- Disconnect the paint gun hose.
- Clean the jar, the gasket seal and the suction pipe thoroughly with a rag soaked with the solvent that is right for the product.
- Disassemble the regulator, the sprayer, the nozzle and the needle. Clean them with a brush and solvent.
- Clean the paint gun body with a piece of rag moistened with solvent.

**⚠ CAUTION** Do not immerse the gun in solvent. The gaskets may get damaged.

- When the parts are clean assemble back the paint gun.
- Pour a small amount of solvent into the jar. Connect the hose to the paint gun.
- Turn on the compressor and spray into a container until getting clean solvent out through the nozzle.

**Needle Seal**

- Use special care adjusting the needle seal. This is important to get a better job.
- Using the wrench adjust the needle seal (**A**).
- Check the seal often to assure it is not damaged. To gain access to the seal, remove the needle and remove the seal pressing part (**B**).







Right Mist Pattern

## Problem

## Cause

## Solution

Wrong Spraying Pattern:



• Half Moon

• Paint build up in the nozzle.

• Remove the obstructions from the nozzle.

**CAUTION** Do not use metal objects to clean the funnel orifices.



• Leaning

• Paint build up in the nozzle or sprayer.  
• Damaged nozzle.  
• Nozzle wrongly tightened.

• Remove the obstructions from the nozzle and sprayer.

• Replace nozzle.

• Tighten the nozzle.



• Divided

• Paint viscosity is too poor.  
• Fluid outlet is too high.

• Add paint to the mix.

• Adjust the paint flow regulator or the air flow.



• Centered

• Paint viscosity is too high.  
• Fluid outlet is too low.

• Add thinner to the mix.

• Adjust the paint flow regulator or the air flow.



Right Fan

## Problem

## Cause

## Solution

Wrong Fan:



• Fluctuation

• Air enters between the nozzle and the gun body.  
• Air is suctioned through the needle seal gasket.

• Clean the nozzle and the gun joint. If damaged, replace the nozzle.

• Tighten the needle seal as indicated in page 8.



• Divided

• Nozzle and needle are not correctly set.  
• Damaged nozzle and/or needle.  
• Paint build up inside the gun system.

• Clean the nozzle and needle.

• Replace the fluids nozzle and the fluids needle.

• Disassemble the gun parts and clean all the components.

Air leaks.

• Residues or damage in the air flow regulating screw. Components are not correctly tightened.

• Disassemble the system to check, clean and tighten the air valve, its seat and washers. Replace any damaged part.

Paint leaks.

• Residues or damage in the nozzle and / or needle. Components are not correctly tightened.

• Disassemble the system to check, clean and tighten the nozzle, needle its seat and washers. Replace any damaged part.

Paint is not flowing.

• Regulating paint flow screw is not open enough.  
• There is obstruction in the system.

• Turn the screw in a counterclockwise direction to increase the flow.

• Disassemble the gun parts and clean all its components.



# Póliza de Garantía



Código

11095

13061

13060

Modelo

PP1-420

PP1-421

PP1-422

Marca  
 TRUPER

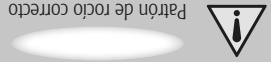
10  
AÑOS



Sello del establecimiento comercial. Fecha de entrega:

**Garantía.** Duración: 10 años. Cobertura: piezas, componentes y mano de obra contra defectos de fabricación o funcionamiento, excepto si se usó en condiciones distintas a las normales; cuando no fue operado conforme instructivo; fue alterado o reparado por personal no autorizado por **Truper®**. Para hacer efectiva la garantía presente el producto; póliza sellada o factura o recibo o comprobante, en el establecimiento donde lo compró o en el producto; póliza sellada o factura o recibo o comprobante, donde también podrá adquirir partes, componentes, consumibles y accesorios. Incluye los gastos de transportación del producto que derivan de su cumplimiento de su red de servicio. Tel. **800-018-7873**. Made in/Hecho en China. Importador **Truper, S.A. de C.V.** Parque Industrial 1, Parque Industrial Jilotepec, Jilotepec, Edo. de Méx. C.P. 54257, Tel. 761 782 9100.

# Solución de problemas



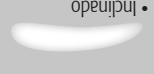
Patrón de rocio correcto

## Problema

Patrón de rocio incorrecto:



• Media luna



• Inclinado



• Dividido



• Centrado

## Causa

- Retire las obstrucciones de la boquilla. **¡ATENCIÓN!** No use objetos de metal para limpiar los orificios del embudo.
- Retire las obstrucciones de la boquilla y el aspirador.
- Reemplace la boquilla.
- Apriete la boquilla.
- Acumulación de pintura en la boquilla o el aspirador.
- Boquilla dañada.
- Boquilla mal apretada.
- Viscosidad de pintura demasiado baja.
- Salida de fluido demasiado alta.
- Acumulación de pintura en la boquilla y/o el aspirador.
- Retire las obstrucciones de la boquilla y el aspirador.
- Reemplace la boquilla.
- Apriete la boquilla.
- Viscosidad de pintura demasiado alta.
- Salida de fluido demasiado baja.
- Salida de fluido demasiado alta.
- Ajuste el regulador de flujo de pintura o el de flujo de aire.
- Agregue pintura a la mezcla.
- Agregue diluyente a la mezcla.
- Ajuste el regulador de flujo de pintura o el de flujo de aire.

## Solución

## Problema

Abanico incorrecto:



• Fluctuación



• Dividido

- Entra aire entre la boquilla y el cuerpo de la pistola.
- Se succiona aire por el empaque del sello de la aguja.
- La boquilla y la aguja no están asentadas correctamente.
- Boquilla y/o aguja dañadas.
- Acumulación de pintura dentro del sistema de la pistola.

Fugas de aire:

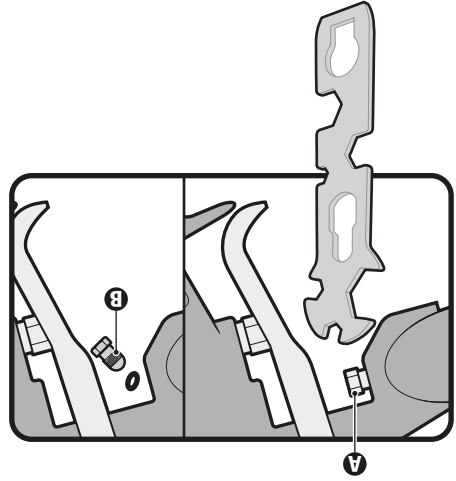
- Residuos o daños en el sistema del tornillo regulador de flujo de aire.
- Componentes mal apretados.
- Desmonte el sistema para revisar, limpiar y apretar la válvula de aire, su asiento y empaques. Reemplace cualquier parte dañada.

Fugas de pintura:

- Residuos o daños en la boquilla y/o aguja. Componentes mal apretados.
- Desmonte el sistema para revisar, limpiar y apretar la boquilla, la aguja, su asiento y empaques. Reemplace cualquier parte dañada.

La pintura no fluye:

- Tornillo regulador de flujo de pintura con abertura insuficiente.
- Obstrucción en el sistema.
- Cire el tornillo en sentido contrario a las manecillas del reloj para aumentar el flujo.
- Desmonte las piezas de la pistola y limpie todos sus componentes.



- Tenga especial cuidado con el ajuste del sello de la aguja. Es importante para un buen trabajo.
- Ajuste el sello de la aguja con ayuda de una llave (A).
- Revise el sello periódicamente para asegurarse que no presente daños, para tener acceso al sello retire la aguja y remueva la pieza opresora del sello (B).

### Sello de la aguja

- Es muy importante limpiar la pistola por completo después de cada uso.
- Una limpieza inadecuada a la larga dará como resultado un mal funcionamiento e invalidará la garantía.
- Sin retirar el vaso presione el gatillo para que retire todo el producto del interior del sistema.
- Vacíe el material sobrante del vaso en un contenedor adecuado.
- Desconecte la manguera de la pistola.
- Limpie el vaso, el empaque y el tubo de succión por completo con un trapo empapado en solvente adecuado para el producto que haya utilizado.
- Desmonte el regulador, el aspersor, la boquilla y la aguja para limpiarlos con un cepillo y solvente.
- Limpie el cuerpo de la pistola con un trapo humedecido con solvente.
- **¡ATENCIÓN!** No sumerja la pistola en solvente o los empaques podrían dañarse.
- Una vez que las piezas estén limpias arme de nuevo la pistola.
- Vierta un poco del solvente en el vaso. Conecte la manguera a la pistola.
- Encienda el compresor y rocíe en un contenedor hasta que salga solvente limpio por la boquilla.

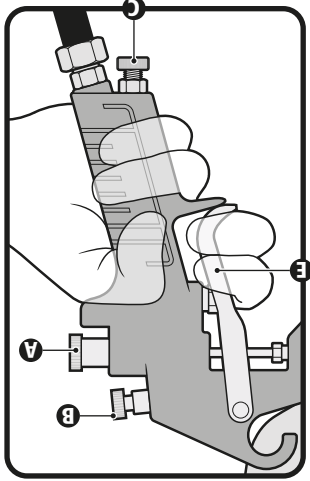
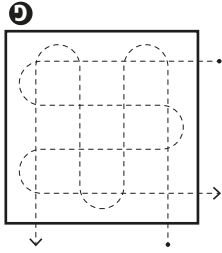
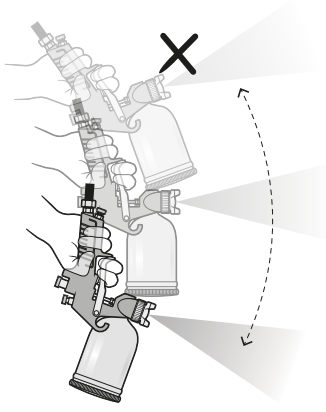
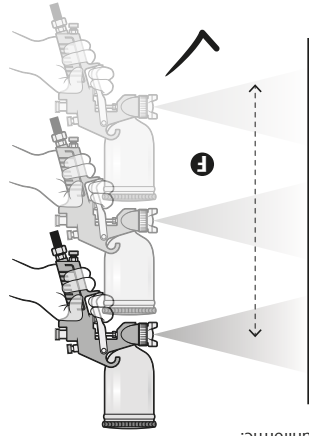
### Limpieza y cuidados

### ⚠ ATENCIÓN

- Durante el proceso de ajuste y antes de aplicar la pintura en la superficie de trabajo se recomienda hacer pruebas sobre material de desecho hasta obtener el flujo de pintura adecuado.
- Gire el tornillo de ajuste (A) en sentido contrario a las manecillas (del reloj) para aumentar el volumen de material a rociar.
- Gire el tornillo de ajuste en sentido de las manecillas del reloj para disminuir el volumen de material a rociar.
- Gire el tornillo de ajuste (B) para modificar el patrón del abanico con el que será aplicado la pintura.
- Gire el tornillo de ajuste (C) para modificar el flujo de aire con el que se aplica la pintura.
- Gire el aspersor (D) para determinar el ángulo con el que se aplicará el patrón de rocío.

## Técnicas de rociado

- Para obtener un buen resultado mantenga siempre la pistola nivelada y paralela a la superficie (F). Mantenga la boquilla a 20 cm - 50 cm de la superficie y rote de manera pareja de un lado al otro y de arriba hacia abajo. No rote en ángulo con respecto a la superficie, de lo contrario la pintura podría correrse por la superficie. De los movimientos rápidos producen capas delgadas y los movimientos lentos producen capas gruesas.
- Aplique una capa a la vez. En caso de requerir otra capa vea las recomendaciones de secado del fabricante del producto antes de aplicar una segunda capa. Recuerde que para un mejor acabado, aplicar solo una capa gruesa.
- Cuando rote áreas pequeñas gire el tornillo de ajuste para disminuir el volumen de material a aplicar. Con esto se evita utilizar demasiada pintura y previene sobre rociar. Si siempre es mejor que aplicar una capa gruesa.
- Desplace la pistola a una velocidad constante y uniforme. Los movimientos rápidos producen capas delgadas y los movimientos lentos producen capas gruesas.
- utilice un patrón cruzado (G).



- Encienda el compresor.
- Presione el gatillo (E) para abrir el flujo de aire y comience a succionar el producto del vaso. Apunte la pistola hacia un pedazo de cartón hasta que saiga el rocío del producto.
- Suelte el gatillo para detener el flujo de rocío.

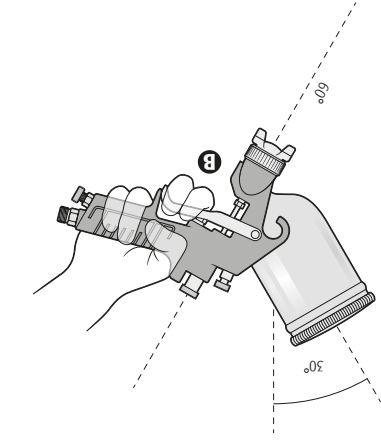
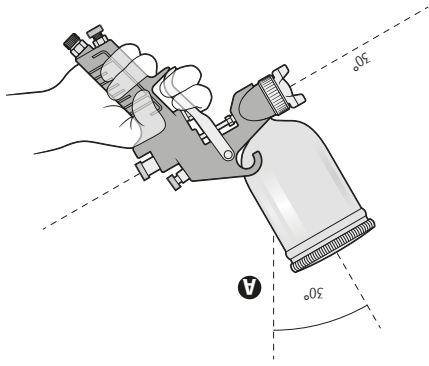
## Encendido

# Preparación

- Para obtener un buen trabajo es importante que prepare la superficie a rociar y adegace la pintura o producto para que obtenga la viscosidad correcta antes de su aplicación.
- Confirme siempre que la superficie a rociar esté libre de polvo, suciedad y grasa.
- Asegúrese de cubrir las áreas que no requiera rociar con cinta adhesiva, periódico y/o plástico.
- La pintura o producto a rociar debe removerse antes de llenar el vaso para evitar asentamientos y debe estar libre de grumos u otras partículas.
- Revise siempre las recomendaciones del fabricante del producto antes de comprarlo.

## Llenado del vaso

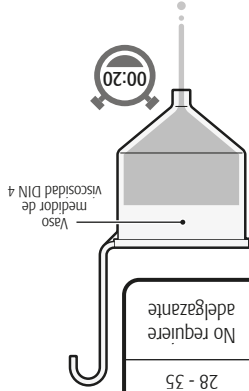
- Abra la tapa del vaso para llenar de pintura. Cierre la tapa para evitar derrames.
- El vaso puede ser rellenado fácilmente durante los procesos de pintura.
- El vaso no debe de ser inclinado a más de 30° de la vertical para asegurar un flujo continuo de pintura (A).
- En caso de que el trabajo requiera inclinar la pistola a más de 30° puede ajustarse el ángulo del vaso para compensar su vertical y mantener el flujo de pintura (B).



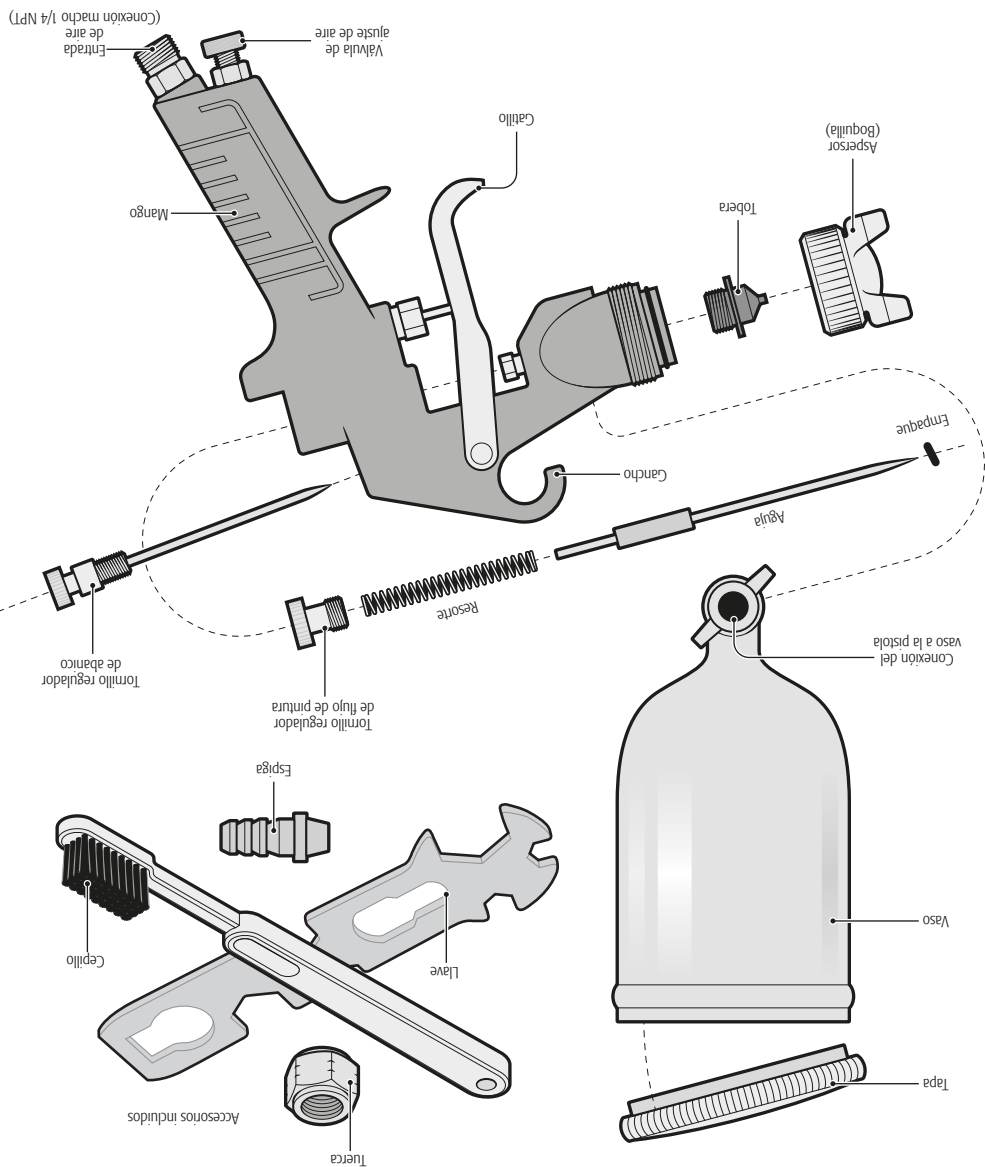
## Adegazamiento del material

- La mayoría de las pinturas se venden listas para su aplicación con brocha y necesitan ser adegazadas antes de ser adecuadas para su aplicación con pistola. Siga las instrucciones del fabricante del producto para adegazarlo adecuadamente.
- Se recomienda agregar un diluyente del 5 al 10% hasta alcanzar la viscosidad adecuada para aplicar el material.
- Utilice un vaso medidor de viscosidad DIN 4 (no incluido) para determinar la viscosidad correcta de la pintura. La viscosidad se determina contando los segundos que tarda el material en ser descargado del vaso medidor. La siguiente tabla muestra los tiempos recomendados para diferentes productos.

Segundos de descarga	Producto
20 - 25	Pintura con base de agua
24 - 28	Primer
20 - 25	Barnices
18 - 22	Pinturas con base de aceite
18 - 22	Pinturas de esmalte
22 - 25	Pinturas de aluminio
25 - 35	Sellador automotriz
28 - 35	Sellador para madera
No requiere	Preservador de madera
	Tinta para madera



- Si después de adegazar el producto la capacidad de dispersión es muy baja añada más diluyente del 5 al 10% poco a poco hasta que cumpla con sus necesidades.
- Si la pintura es demasiado espesa, la superficie pintada quedará rugosa (piel de naranja). Si la pintura es demasiado fluida, existe el riesgo de que chorree.





# Advertencias de Seguridad para uso de pistolas para pintar

## Mientras opera el equipo

- **ATENCIÓN** • Nunca apunte la pistola de gravedad hacia usted ni a otras personas o animales.
- Asegúrese de que el equipo no absorba ningún vapor solvente.
- Si va a hacer una pausa durante el proceso de aplicación, no ponga de lado la pistola, sosténgala en algún lugar por el gancho para que quede en posición vertical.

## Substancias y materiales

- **ATENCIÓN** • El equipo está diseñado para aplicar materiales de recubrimiento como pintura, barniz, esmalte, etc. Los cuales deben tener un punto de inflamación no menor de 21 °C, consulte la etiqueta de la lata o contenedor del producto.
- **ADVERTENCIA** • No rocíe substancias con las cuales no esté familiarizado y desconozca su peligro potencial.
- **ADVERTENCIA** • No rocíe substancias inflamables.
- **ADVERTENCIA** • No rocíe cuidadosamente con los peligros que se originan por las substancias rociadas. Consulte el texto y la información de las latas y contenedores o las especificaciones del fabricante.

## Después de operar el equipo

- **ADVERTENCIA** • Limpie perfectamente la pistola para eliminar cualquier residuo de producto al terminar el trabajo. Las acumulaciones pueden estropear la pistola e invalidar la garantía.

## Antes de operar el equipo

- **ATENCIÓN** • El equipo no debe utilizarse en espacios cerrados ni en ambientes explosivos.
- Si va a trabajar en exteriores considere la dirección del viento. El viento puede llevar el recubrimiento a grandes distancias y ocasionar daños, además de dificultar el trabajo.
- **ATENCIÓN** • Si va a trabajar en interiores ventílique que haya ventilación adecuada.
- **ADVERTENCIA** • El área de trabajo debe de estar libre de cualquier fuente de ignición. No fume durante el trabajo de roçado ni cerca del área de trabajo.
- **ATENCIÓN** • Utilice una mascarilla y lentes de seguridad cuando rocíe para evitar daños en manos y ropa del producto a aplicar.
- Se recomienda utilizar guantes y overol para proteger sus



# Advertencias de Seguridad

## para uso de herramientas neumáticas

Mantenga su área de trabajo limpia, ordenada y bien iluminada.

**⚠ ATENCIÓN** Áreas desordenadas y oscuras pueden provocar accidentes.

**⚠ PELIGRO** Las chispas que genera la herramienta podría provocar una explosión o incendio.

Mantenga a los niños y a otras personas a una distancia segura mientras utiliza la herramienta.

**⚠ ADVERTENCIA** Las distracciones pueden hacerle perder el control y provocar accidentes.

**⚠ PELIGRO** Ubique y evite todas las líneas y circuitos eléctricos, especialmente el cableado oculto.

**⚠ PELIGRO** Así como cualquier objeto conectado a tierra.

**⚠ ATENCIÓN** No deje que la herramienta se utilice.

**⚠ PELIGRO** Este tipo de herramienta puede provocar lesiones.

**⚠ PELIGRO** Un momento de distracción mientras utiliza la herramienta puede provocar lesiones.

**⚠ PELIGRO** No utilice la herramienta si está cansado, o bajo la influencia de drogas, alcohol o medicamentos.

**⚠ PELIGRO** Utilice la herramienta con todas sus piezas en su lugar y en buen estado.

**⚠ ADVERTENCIA** De no hacerlo se expone a lesiones personales graves.

**⚠ ATENCIÓN** Nunca fuerce la herramienta.

**⚠ ATENCIÓN** Trabajar dentro del rango para el que fue diseñada asegura un mejor trabajo y es más seguro.

**⚠ ADVERTENCIA** Guarde la herramienta en un lugar seguro fuera del alcance de los niños.

**⚠ ADVERTENCIA** Las herramientas neumáticas son peligrosas en manos inexpertas.

**⚠ ADVERTENCIA** Utilice la indumentaria adecuada.

**⚠ ADVERTENCIA** La ropa suelta, joyas o cabello largo pueden ser atrapados por las piezas móviles.

**⚠ ADVERTENCIA** Mantenga las manos alejadas de las partes giratorias y/o móviles.

**⚠ ADVERTENCIA** De no hacerlo se expone a lesiones personales graves. Como cortes, quemaduras o aplastamiento.

Utilice equipo adecuado de protección personal.

**⚠ ATENCIÓN** Utilice protección para los ojos. Mascarilla antipolvo, zapatos de seguridad antideslizantes, casco y protección para los oídos en condiciones adecuadas reducen considerablemente el riesgo de lesiones.



**⚠ ADVERTENCIA** Para evitar incendios accidentales que deriven en accidentes.

**⚠ ADVERTENCIA** Nunca utilice la herramienta si el interruptor no funciona o no está debidamente ensamblada.

**⚠ ADVERTENCIA** De hacerlo se expone a lesiones personales graves, repárela inmediatamente.

**⚠ ATENCIÓN** No sobre extienda su campo de acción.

**⚠ ATENCIÓN** Un buen apoyo y equilibrio permiten un mejor control de la herramienta en situaciones inesperadas.

**⚠ ADVERTENCIA** Nunca tire de la manguera de aire.

**⚠ ADVERTENCIA** No la use para cargar la herramienta o desconectarla de la toma de aire. Las mangueras dañadas o enredadas pueden reventar y lanzar residuos al operador.

**⚠ ADVERTENCIA** Evite incendios accidentales.

**⚠ ADVERTENCIA** Asegúrese de que la toma de aire está desconectada antes de lubricar, colocar accesorios o dar mantenimiento a la herramienta.

**⚠ PELIGRO** Retire cualquier llave de ajuste antes de encender la herramienta.

**⚠ PELIGRO** Herramientas adicionales o llaves colocadas en una pieza giratoria de la herramienta puede provocar lesiones personales graves.

**⚠ ATENCIÓN** Déle mantenimiento a la herramienta y cerciórese que se encuentra en condiciones óptimas antes de utilizarla.

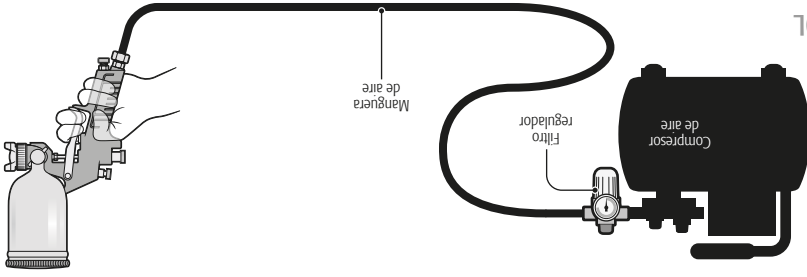
**⚠ ATENCIÓN** Revise cuidadosamente sus partes móviles, su alineación y montaje. Hágalo periódicamente.

**⚠ ATENCIÓN** Busque cualquier elemento dañado o pieza que no funcione adecuadamente para su inmediata reparación.

**⚠ ATENCIÓN** Utilice sólo los accesorios o relaciones indicados en este instructivo o certificados por TRUPER.

**⚠ ATENCIÓN** Nunca deje la herramienta en marcha sin supervisión.

**⚠ ATENCIÓN** Desconecte la herramienta de la toma de aire después de operar y antes de dejarla para evitar accidentes graves.



• Para trabajos caseros es posible utilizar compresores de 1,5 CV con depósito de 25 litros; para trabajos más demandantes como trabajos en carrocería, industria, etc. se recomienda utilizar compresores de al menos 3 CV con depósito de 100 litros.

• Utilice mangueras de alta presión con una longitud adecuada para realizar el trabajo de pintado cómodamente.

• El polvo y agua condensada dentro del tanque del compresor pueden ocasionar un acabado deficiente en la superficie a pintar. Se recomienda instalar un filtro regulador entre el compresor y la pistola para evitar esta posibilidad.

## Requerimientos neumáticos

13060	13061	11095	• Código
P1P1-422	P1P1-421	P1P1-420	• Descripción
			• Capacidad del vaso
			• Presión de trabajo
			• Diámetro de conexión
			• Consumo de aire
			• Diámetro de la boquilla

## Especificaciones técnicas

- 10 ..... Poliza de garantía
- 9 ..... Solución de problemas
- 8 ..... Mantenimiento
- 7 ..... Puesta en marcha
- 6 ..... Reparación
- 5 ..... Partes
- 4 ..... Advertencias de Seguridad para uso de pistolas para pintar
- 3 ..... Advertencias de Seguridad para uso de herramientas neumáticas
- 2 ..... Requerimientos neumáticos
- 2 ..... Especificaciones técnicas

Para poder sacar el máximo provecho de la herramienta, hacer válida la garantía en caso de ser necesario y evitar riesgos o lesiones graves, es fundamental leer este instructivo por completo antes de usar la herramienta.

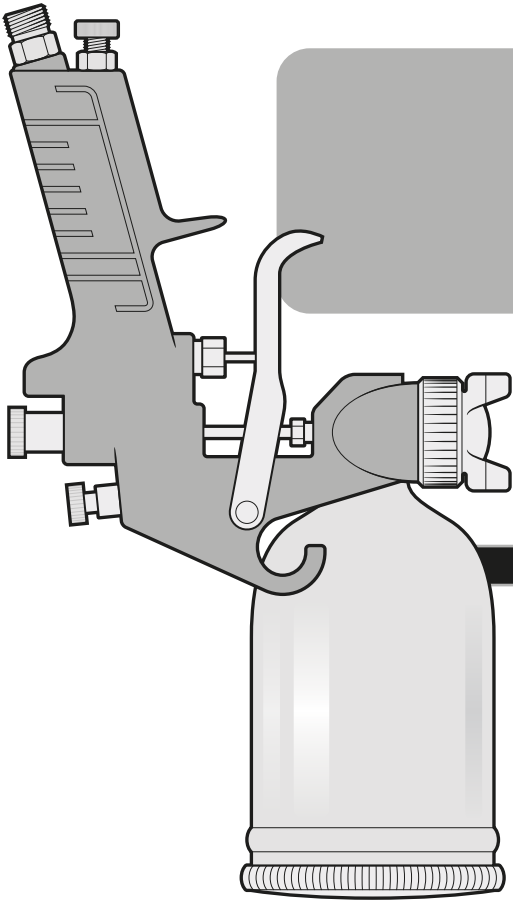
Guarde este instructivo para futuras referencias.

Los gráficos de este instructivo son para referencia, pueden variar del aspecto real de la herramienta.

**¡ATENCIÓN!**

# Instructivo de Pistola de gravedad

206.8 kPa  
**30 PSI - 50 PSI**  
344.7 kPa  
Presión de trabajo



Este Instructivo es para:

Códigos	Modelos
11095	PIPI-420
13061	PIPI-421
13060	PIPI-422



**ATENCIÓN**

Lea este Instructivo por completo antes de usar la herramienta.

