

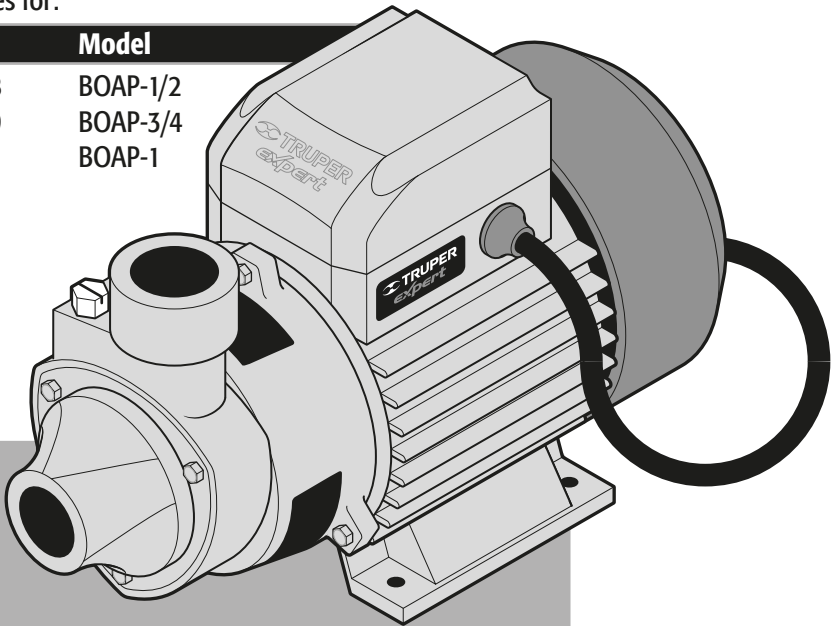
## Manual Peripheral water pump



Agricultural Use

Applies for:

Code	Model
10068	BOAP-1/2
10069	BOAP-3/4
10070	BOAP-1





**CAUTION**



Read this manual thoroughly  
before using the tool.



Technical data .....	<b>3</b>
Power requirements .....	<b>3</b>
 General power tool safety warnings .....	<b>4</b>
 Safety warnings for the use of water pumps .....	<b>5</b>
Parts .....	<b>5</b>
Installation .....	<b>6</b>
Start up .....	<b>7</b>
Maintenance .....	<b>8</b>
Troubleshooting .....	<b>9</b>
Notes .....	<b>10</b>
Authorized service centers .....	<b>11</b>
Warranty policy .....	<b>12</b>

## **CAUTION**

To gain the best performance of the tool, prolong the duty life, make the Warranty valid if necessary, and to avoid hazards of fatal injuries please read and understand this Manual before using the tool.

Keep this manual for future references.

The illustrations in this manual are for reference only. They might be different from the real tool.

## Use and care recommendations



### **FULFILL THE WORKING CYCLES.**

50 min of work and 20 min of rest. Daily maximum 6 hours.



Never use or pull the power cord to carry, lift, or disconnect the tool.



Perform periodic **MAINTENANCE** to your machine (page 8).

# Technical data

**TRUPER**  
expert

	BOAP-1/2	BOAP-3/4	BOAP-1
Code •	10068	10069	10070
Description •	Peripheral Water Pump		
Voltage •	127 V ~		
Frequency •	60 Hz		
Speed •	3 450 RPM		
Current •	4.7 A	7.2 A	10.4 A
Power •	1/2 Hp	3/4 Hp	1 Hp
Outlet and Inlet Diameter •	1 NPT		
Maximum Suction Depth •	26.2 ft		
Maximum total manometric height •	147.6 ft	213.3 ft	229.7 ft
Maximum Flow •	11.1 gal/min	11.9 gal/min	13.2 gal/min
Maximum Water Temperature •	104 °F		
Conductors •	18 AWG	16 AWG	16 AWG
Work Cycle •	50 minutes' work per 20 min rest. Maximum 6 hours' daily.		
Insulation •	Class I		
Grade IP •	IPX4		

Power Cord Grips used in this product: Type "Y".  
Tool Build Quality: Basic insulation  
Thermal insulation on motor winding: Class F

**⚠ WARNING** Avoid the risk of electric shock or severe injury. When the power cable gets damaged it should only be replaced by the manufacturer or at a **TRUPER** Authorized Service Center. The build quality of the electric insulation is altered if spills or liquid gets into the tool while in use. Do not expose to rain, liquids and/or dampness.

**⚠ WARNING** Before gaining access to the terminals all power sources should be disconnected.

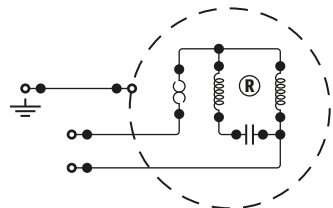


## Power requirements

**⚠ CAUTION** Connection to the energy source shall be carried out by a professional in electricity, following the diagram to the right.

**⚠ CAUTION** Use a separate electric circuit for the pump. This circuit shall not have conductors with a caliber lower than 12 AWG and shall be protected with a 20 A time delay fuse. Before connecting the motor to the current line, double check the voltage is equal to the data in the motor nameplate. If operated with a lower voltage, the motor will get damaged.

**⚠ CAUTION** The energy cables are coded with the following colors:  
Green and Yellow: Earth  
Black: Neutral  
White: Line



**⚠ WARNING** All the wiring, electric connections and ground connections in the system shall comply with **THE OFFICIAL MEXICAN STANDARD NOM - 001 - SEDE - ELECTRIC INSTALLATION (USE)** or with the local codes and ordinances. The user shall call a certified electrician. It is recommended to feed the pump with a circuit that includes a differential switch with an assigned current not higher than 30 mA



**! WARNING! Read carefully all safety warnings and instructions listed below.** Failure to comply with any of these warnings may result in electric shock, fire and / or severe damage. **Save all warnings and instructions for future references.**

### Work area

**Keep your work area clean, and well lit.**

Cluttered and dark areas may cause accidents.



**Never use the tool in explosive atmospheres, such as in the presence of flammable liquids, gases or dust.**

Sparks generated by power tools may ignite the flammable material.



**Keep children and bystanders at a safe distance while operating the tool.**

Distractions may cause losing control.



### Electrical Safety

**The tool plug must match the power outlet. Never modify the plug in any way. Do not use any adapter plugs with grounded power tools.**

Modified plugs and different power outlets increase the risk of electric shock.



**Avoid body contact with grounded surfaces, such as pipes, radiators, electric ranges and refrigerators.**

The risk of electric shock increases if your body is grounded.

**Do not expose the tool to rain or wet conditions.**

Water entering into the tool increases the risk of electric shock.

**Do not force the cord. Never use the cord to carry, lift or unplug the tool. Keep the cord away from heat, oil, sharp edges or moving parts.**

Damaged or entangled cords increase the risk of electric shock.

**When operating a tool outdoors, use an extension cord suitable for outdoor use.**

Using an adequate outdoor extension cord reduces the risk of electric shock.

**If operating the tool in a damp location cannot be avoided, use a ground fault circuit interrupter (GFCI) protected supply.**

Using a GFCI reduces the risk of electric shock.

### Personal safety

**Stay alert, watch what you are doing and use common sense when operating a tool. Do not use a power tool while you are tired or under the influence of drugs, alcohol or medication.**

A moment of distraction while operating the tool may result in personal injury.

**Use personal protective equipment. Always wear eye protection.**

Protective equipment such as safety glasses, anti-dust mask, non-skid shoes, hard hats and hearing protection used in the right conditions significantly reduce personal injury.



**Prevent unintentional starting up. Ensure the switch is in the "OFF" position before connecting into the power source and / or battery as well as when carrying the tool.**

Transporting power tools with the finger on the switch or connecting power tools with the switch in the "ON" position may cause accidents.

**Remove any wrench or vice before turning the power tool on.**

Wrenches or vices left attached to rotating parts of the tool may result in personal injury.

**Do not overreach. Keep proper footing and balance at all times.**

This enables a better control on the tool during unexpected situations.

**Dress properly. Do not wear loose clothing or jewelry. Keep hair, clothes and gloves away from the moving parts.**

Loose clothes or long hair may get caught in moving parts.



**If you have dust extraction and recollection devices connected onto the tool, inspect their connections and use them correctly.**

Using these devices reduce dust-related risks.

### Power Tools Use and Care

**Do not force the tool. Use the adequate tool for your application.**

The correct tool delivers a better and safer job at the rate for which it was designed.



**Do not use the tool if the switch is not working properly.**

Any power tool that cannot be turned ON or OFF is dangerous and should be repaired before operating.

**Disconnect the tool from the power source and / or battery before making any adjustments, changing accessories or storing.**

These measures reduce the risk of accidentally starting the tool.

**Store tools out of the reach of children. Do not allow persons that are not familiar with the tool or its instructions to operate the tool.**

Power tools are dangerous in the hands of untrained users.



**Service the tool. Check the mobile parts are not misaligned or stuck. There should not be broken parts or other conditions that may affect its operation. Repair any damage before using the tool.**

Most accidents are caused due to poor maintenance to the tools.



**Use the tool, components and accessories in accordance with these instructions and the projected way to use it for the type of tool when in adequate working conditions.**

Using the tool for applications different from those it was designed for, could result in a hazardous situation.

### Service

**Repair the tool in a TRUPER Authorized Service Center using only identical spare parts.**

This will ensure that the safety of the power tool is maintained.

**Children or people with reduced physical, sensory or mental capabilities shall not operate the tool, neither inexperienced people or without knowledge in the use of the tool, unless supervised by a person responsible of their safety or if receiving previous instructions about the tool operation.**

Children shall be kept under supervision to double-check they will not play with the tool. Tight supervision shall be used with children or disabled persons to prevent from using or being close to any household tool.



This tool is in compliance with the Official Mexican Standard (NOM - Norma Oficial Mexicana).

# Safety warnings for the use of water pumps

## Adequate Uses

- The pump is a stationary device designed to pump clean neutral liquids, with no suspended abrasive solids, in temperature not higher than 104 °F Useful for watering orchards, for pumping non aggressive liquids and to increase insufficient pressure in aqueducts pressure.
- Periphery pumps are suitable for agricultural applications in watering systems by mini aspersions or air pulverization. Also, where pressure requirements are higher due to height in the watering system and the minimum pressure requirements for sprayers to function. For these type of applications, centrifugal pumps are not recommended due to the low pressure managed.
- The device is in compliance with the most updated safety requirements, only if is used for what it is designed. The device shall only be used under the allowed performance restrictions.
- Do not use it for explosive liquids, combustibles or aggressive materials, or for substances hazardous to health, or sewage water.
- Inadequate use or modifications to the device, using components not approved or tested by the manufacturer may result in unexpected damage to the device and the operator and frees the manufacturer from their legal responsibility.

**CAUTION** • The pump shall be connected through a residual current circuit breaker RCCB designed with current short circuit not higher than 30 mA

**CAUTION** • Before connecting, double check the power supply matches the pump requirements.

**CAUTION** • Do not install the pump outdoors or near wet areas.

**WARNING** • Do not install the pump in areas where there is danger of explosion or near combustible liquid and gases.

**WARNING** • Do not aim the water jet against the device or other electric components. It is a death hazard due to electric shock.

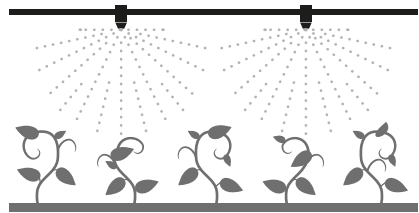
**CAUTION** • Double check the power cable is not making contact with water circulating in the pump.

• Any type of repair shall only be carried out in a **TRUPER** Authorized Service Center.

Otherwise, the user is exposed to an electric shock and makes the warranty void.

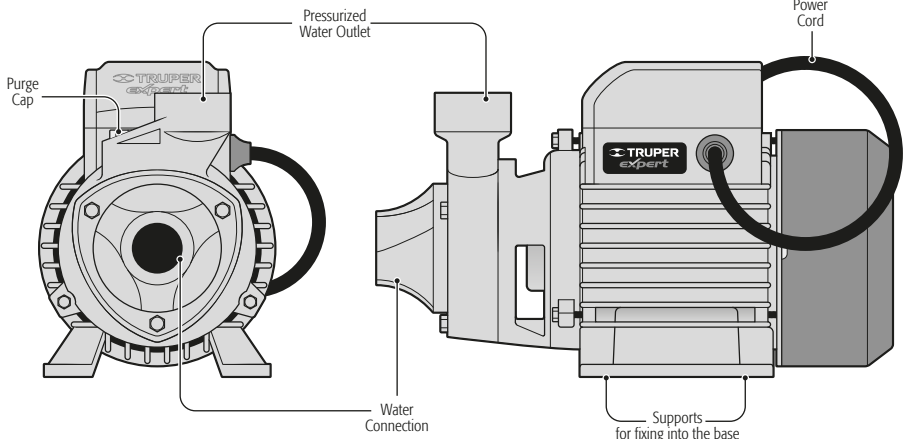
• All the symbols attached to the device shall not be removed or cover. All information about the device that is not legible, shall be replaced immediately,

• Read and follow the operation instructions before installing and starting the pump. Any malfunction caused by omission of indications in this Manual, may damage the pump and makes the warranty void.



Recommended for watering with atomizers.

## Parts



## Mounting

- The pump shall be installed in a dry place, away from the elements; with air flow to allow air flow for the adequate ventilation **(A)**

Ambient temperature not exceeding 104 °F

- Use bolts to fix the pump onto a concrete base to prevent vibrations **(B)** The pump shall be installed in a horizontal position to assure it runs properly.
- The suction lines and pressure pipes shall be supported to the wall or the floor to prevent transmission of tension to the pump body **(C)**
- Use care not to damage the pump and / or the pipes due to excessive tightening of the joints.

## Suction line (inlet)

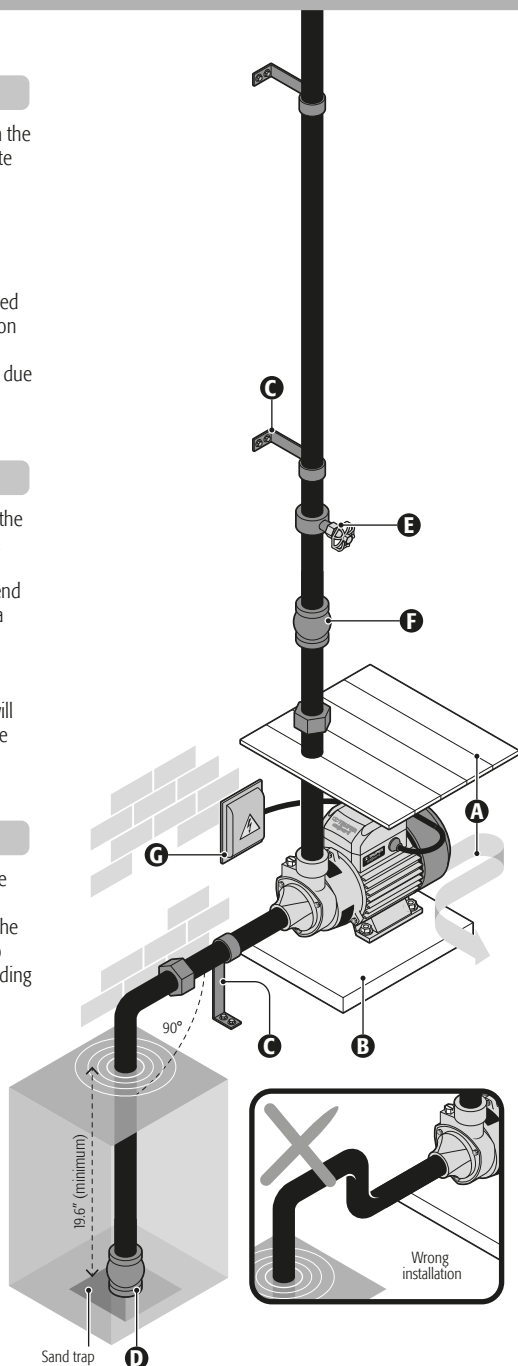
- The suction pipes diameter shall not be smaller than the diameter of the pump water inlet. If the suction height exceeds 13 ft, use a pipe with a larger diameter.

- The suction pipe shall be completely watertight, the end shall be submerged into water at least one meter and a half, where using a **(D)**. The pipe shall be set totally vertical and bend to 90° towards the water inlet in the pump.

**CAUTION** • Failure to follow these indications will result in air sealing – in and bubbles interfering with the pump performance.

## Pressure line (outlet)

- The outlet pipe will need a gate valve **(E)** to adjust the required flow speed and pressure.
- It is recommended to set a check valve **(F)** between the pressurized water from the pump and the gate valve to prevent the unexpected return of water columns exceeding 65 ft



## Electrical Installation

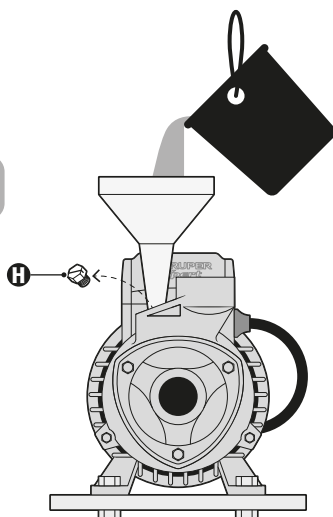
- Call a professional electrician to carry out the electric connection to the power supply (G), following the mandatory rules.
- The fixed installation shall incorporate a device to assure the omnipolar disconnect from the power supply.
- Make sure the electric requirements described in this Instruction Manual and the pump nameplate, match with the power supply value capacity.
- Connect the pump into a circuit with physical earth and then, connect the phases following the electric diagram in page 3 or the pump nameplate.
- The pump is built with a monophasic motor protected against overload using a thermal device (overcurrent cut) built in the winding.

## Start up

### Purge

- The first time you start the pump or after a long period of time idle, or when air has entered the system, fill-up the pump with clean water before starting.
- Remove the purge cap (H) and fill with water until reaching the level on the orifice.

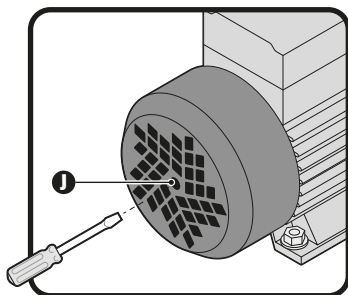
**⚠ WARNING** • Never start the pump when empty. If it happens accidentally, turn OFF the pump immediately, wait for the pump to cool down, then, fill with clean water.



- The pump does not require maintenance only if following these simple precautions:
- When there is a risk of freezing, empty the pump completely by removing the foot valve so that the pipe can drain (J). Remember to flush the pump before starting it up again.
- If the pump will remain idle for long periods of time, it is recommended to empty it completely, rinse with clean water and store in a dry place.
- If the shaft is not turning freely, use a screwdriver to release it. Insert the screwdriver in the rear orifice of the pump (J).

**⚠ WARNING** • Disconnect the pump from the power supply before carrying out maintenance jobs.

- In the event the environment temperature is below 39 °F, or the pump is going to be idle for long periods of time, empty the liquid from the pipes to prevent freezing inside the pump. Do not operate the pump without water.

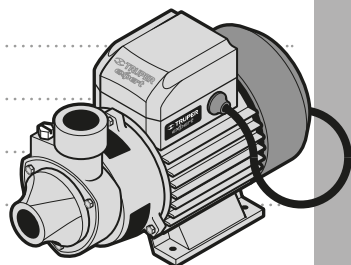




Problem	Cause	Solution
The motor is not starting	<ul style="list-style-type: none"><li>• There is no power</li><li>• The impeller is stuck</li></ul>	<ul style="list-style-type: none"><li>• Check the connections and the power values.</li><li>• Release it with a screwdriver (see page 8)</li></ul>
The motor turns but is not pumping water	<ul style="list-style-type: none"><li>• The foot-valve filter is clogged</li><li>• Excessive suction height</li><li>• Air in the admission</li></ul>	<ul style="list-style-type: none"><li>• Clean the filter</li><li>• Shorten the suction pipe length. Check the suction pipe is hermetic. Double check the foot valve is submerged, at least, 19.6" It is necessary to purge the pump again (see page 7).</li><li>• Check the suction height</li></ul>
Flow speed is insufficient	<ul style="list-style-type: none"><li>• The suction height is in the limit</li><li>• Foot valve filter is partially clogged</li></ul>	<ul style="list-style-type: none"><li>• Shorten the suction pipe length</li><li>• Clean the foot valve and the whole suction pipe if necessary</li></ul>
The motor thermal protector is activated	<ul style="list-style-type: none"><li>• The motor is overheated</li><li>• The impeller is stuck</li></ul>	<ul style="list-style-type: none"><li>• Check voltage and ventilation</li><li>• Release it with a screwdriver (see page 8).</li></ul>


In case the problem can not be solved please go to an Authorized Service Center.  
Failure to follow with these caution advices may damage the pump and void the warranty.

A series of horizontal dotted lines for taking notes, spanning the width of the page.



In the event of any problem contacting a Truper Authorized Service Center, please see our webpage [www.truper.com](http://www.truper.com) to get an updated list, or call our toll-free numbers **800 690-6990** or **800 018-7873** to get information about the nearest Service Center.

- AGUASCALIENTES** **DE TODO PARA LA CONSTRUCCIÓN**  
GRAL. BARRAGÁN #1201, COL. GREMIAL, C.P. 20050, AGUASCALIENTES, AGS. TEL.: 449 994 0537
- BAJA CALIFORNIA** **SUCURSAL TIJUANA**  
AV. LA ENCANTADA, LOTE #5, PARQUE INDUSTRIAL EL FLORIDO II, C.P. 22244, TIJUANA, B.C. TEL.: 664 969 5100
- BAJA CALIFORNIA SUR** **FIX FERRETERÍAS**  
FELIPE ANGELES ESQ. RUIZ CORTINEZ S/N, COL. PUEBLO NUEVO, C.P. 23670, CD. CONSTITUCIÓN, B.C.S. TEL.: 615 132 1115
- CAMPECHE** **TORNILLERÍA Y FERRETERÍA AAA**  
AV. ÁLVARO OBREGÓN #324, COL. ESPERANZA C.P. 24080 CAMPECHE, CAMP. TEL.: 981 815 2808
- CHIAPAS** **FIX FERRETERÍAS**  
AV. CENTRAL SUR #27, COL. CENTRO, C.P. 30700, TAPACHULA, CHIS. TEL.: 962 118 4083
- CHIHUAHUA** **SUCURSAL CHIHUAHUA**  
AV. SILVESTRE TERRAZAS #128-11, PARQUE INDUSTRIAL BAFAR, CARRETERA MÉXICO CUAUHTEMOC, C.P. 31415, CHIHUAHUA, CHIH. TEL.: 614 434 0052
- CIUDAD DE MÉXICO** **FIX FERRETERÍAS**  
EL MONSTRUO DE CORREGIDORA, CORREGIDORA # 35, COL. CENTRO, C.P. 06060, CUAUHTEMOC, CDMX. TEL.: 55 5522 5051 / 5522 4861
- COAHUILA** **SUCURSAL TORREÓN**  
CALLE METAL MECÁNICA #280, PARQUE INDUSTRIAL ORIENTE, C.P. 27278, TORREÓN, COAH. TEL.: 871 209 68 23
- COLIMA** **BOMBAS Y MOTORES BYMTESA DE MANZANILLO**  
BLVD. MIGUEL DE LA MADRID #190, COL. 16 DE SEPTIEMBRE, C.P. 28239, MANZANILLO, COL. TEL.: 314 332 1986 / 332 8013
- DURANGO** **TORNILLOS ÁGUILA, S.A. DE C.V.**  
MAZURIÑO #200, COL. LUIS ECHEVERRÍA, DURANGO, DGO. TEL.: 618 817 1946 / 618 818 2844
- ESTADO DE MÉXICO** **SUCURSAL CENTRO JILOTEPEC**  
PARQUE INDUSTRIAL # 1, COL. PARQUE INDUSTRIAL JILOTEPEC, JILOTEPEC, EDO. DE MÉX. C.P. 54257 TEL.: 761 782 9101 EXT. 5728 Y 5102
- GUANAJUATO** **CÍA. FERRETERA NUEVO MUNDO S.A. DE C.V.**  
AV. MÉXICO - JAPÓN #225, CD. INDUSTRIAL, C.P. 38010, CELAYA, GTO. TEL.: 461 617 7578 / 79 / 80 / 88
- GUERRERO** **CENTRO DE SERVICIO ECLIPSE**  
CALLE PRINCIPAL MZ I LT. 1, COL. SANTA FE, C.P. 39010, CHILPANCIÑO, GRO. TEL.: 747 478 5793
- HIDALGO** **FERREPRECIOS S.A. DE C.V.**  
LIBERTAD ORIENTE #304 LOCAL 50, INTERIOR DE PASAJE ROBLEDO, COL. CENTRO, C.P. 43600, TULANCINGO, HGO. TEL.: 775 755 6615 / 775 753 6616
- JALISCO** **SUCURSAL GUADALAJARA**  
AV. ADOLFO B. HORN # 6800, COL: SANTA CRUZ DEL VALLE, C.P.: 45655, TLAJOMULCO DE ZUÑIGA, JAL. TEL.: 33 3606 5285 AL 90
- MICHOACÁN** **FIX FERRETERÍAS**  
AV. PASEO DE LA REPÚBLICA #3140-A, COL. EX-HACIENDA DE LA HUERTA, C.P. 58050, MORELIA, MICH. TEL.: 443 334 6858
- MORELOS** **FIX FERRETERÍAS**  
CAPITÁN ANZURES #95, ESQ. JOSÉ PERDIZ, COL. CENTRO, C.P. 62740, CUAUTLA, MOR. TEL.: 735 352 8951
- NAYARIT** **HERRAMIENTAS DE TEPIC**  
MAZATLAN #117, COL. CENTRO, C.P. 63000, TEPIC, NAY. TEL.: 311 258 0540
- NUEVO LEÓN** **SUCURSAL MONTERREY**  
CARRETERA LAREDO #300, 1B MONTERREY PARKS, COLONIA PUERTA DE ANAHUAC, C.P. 66052, ESCOBEDO, NUEVO LEÓN, TEL.: 81 8352 8791 / 81 8352 8790
- OAXACA** **FIX FERRETERÍAS**  
AV. 20 DE NOVIEMBRE #910, COL. CENTRO, C.P. 68300, TUXTEPEC, OAX. TEL.: 287 106 5092
- PUEBLA** **SUCURSAL PUEBLA**  
AV. PERIFÉRICO #2-A, SAN LORENZO ALMECATLA, C.P. 72710, CUAUTLACINGO, PUE. TEL.: 222 282 8282 / 84 / 5 / 86
- QUERÉTARO** **ARU HERRAMIENTAS S.A DE C.V.**  
AV. PUERTO DE VERACRUZ #110, COL. RANCHO DE ENMEDIO, C.P. 76842, SAN JUAN DEL RÍO, QRO. TEL.: 427 268 4544
- QUINTANA ROO** **FIX FERRETERÍAS**  
CARRETERA FEDERAL MZ. 46 LT. 3 LOCAL 2, COL EJIDAL, C.P. 77710 PLAYA DEL CARMEN, Q.R. TEL.: 984 267 3140
- SAN LUIS POTOSÍ** **FIX FERRETERÍAS**  
AV. UNIVERSIDAD #1850, COL. EL PASEO, C.P. 78320, SAN LUIS POTOSÍ, S.L.P. TEL.: 444 822 4341
- SINALOA** **SUCURSAL CULIACÁN**  
AV. JESÚS KUMATE SUR #4301, COL. HACIENDA DE LA MORA, C.P. 80143, CULIACÁN, SIN. TEL.: 667 173 9139 / 173 8400
- SONORA** **FIX FERRETERÍAS**  
CALLE 5 DE FEBRERO #517, SUR LT. 25 MZ. 10, COL. CENTRO, C.P. 85000, CD. OBREGÓN, SON. TEL.: 644 413 2392
- TABASCO** **SUCURSAL VILLAHERMOSA**  
CALLE HELIO LOTES 1, 2 Y 3 MZ. #1, COL. INDUSTRIAL, 2A ETAPA, C.P. 86010, VILLAHERMOSA, TAB. TEL.: 993 355 7244
- TAMAULIPAS** **VM ORINGS Y REFACCIONES**  
CALLE ROSITA #527 ENTRE 20 DE NOVIEMBRE Y GRAL. RODRIGUEZ, FRACC. REYNOSA, C.P. 88780, REYNOSA, TAMS. TEL.: 899 926 7552
- TLAXCALA** **SERVICIOS Y HERRAMIENTAS INDUSTRIALES**  
PABLO SIDAR #132, COL. BARRIO DE SAN BARTOLOMÉ, C.P. 90970, SAN PABLO DEL MONTE, TLAX. TEL.: 222 271 7502
- VERACRUZ** **LA CASA DISTRIBUIDORA TRUPER**  
BLVD. PRIMAVERA, ESQ. HORTENSIA S/N, COL. PRIMAVERA, C.P. 93308, POZA RICA, VER. TEL.: 782 823 8100 / 826 8484
- YUCATÁN** **SUCURSAL MÉRIDA**  
CALLE 33 #600 Y 602, LOCALIDAD ITZINCAB Y MULSAY, MPIO. UMAN, C.P. 97390, MÉRIDA, YUC. TEL.: 999 912 2451

Code	Model	Brand
10068	BOAP-1/2	
10069	BOAP-3/4	
10070	BOAP-1	

**Warranty.** Duration: 5 year. Coverage: parts, components and workmanship against manufacturing or operating defects, except if used under conditions other than normal; when it was not operated in accordance with the instructive; was altered or repaired by personnel not authorized by **Truper®**. To make the warranty valid, only present the product in the establishment where you bought it or in Corregidora 35, Centro, Cuauhtémoc, CDMX, 06060, where you can also purchase parts, components, consumables and accessories. The costs of transportation of the product that derive from its fulfillment of its service network are included. **Truper will not require any proof of purchase to make the warranty effective.** Phone number 800-018-7873. Made in China. Imported by Truper, S.A. de C.V. Parque Industrial 1, Parque Industrial Jilotepec, Jilotepec, Edo. de Méx. C.P. 54257, Phone number 761 782 9100.



Stamp of the business. Delivery date:



Sello del establecimiento comercial. Fecha de entrega:

**Garantía.** Duración: 5 años. Cobertura: piezas, componentes y mano de obra contra defectos de fabricación o funcionamiento, excepto si se usó en condiciones distintas a las normales; cuando no fue operado conforme instructivo; fue alterado o reparado por personal no autorizado por Truper®. Para hacer efectiva la garantía únicamente presente el producto en el establecimiento donde lo compró o en Corregidora 35, Centro, Cuauhtémoc, CDMX, 06060, donde también podrá adquirir partes, componentes, consumibles y accesorios. Incluye los gastos de transportación del producto que deriven de su cumplimiento de su red de servicio. **Truper no solicitará ningún tipo de comprobante de pago para hacer efectiva la garantía.** Tel. 800-018-7873. Made in/Hecho en China. Importador **Truper, S.A. de C.V.** Parque Industrial 1, Parque Industrial Jilotepec, Jilotepec, Edo. de Mex. C.P. 54257, Tel. 761 782 9100.

Código	Modelo	Marca
10068	BOAP-1/2	TRUPER® expert
10069	BOAP-3/4	
10070	BOAP-1	

Póliza de garantía



En caso de tener algún problema para contactar un Centro de Servicio Autorizado Truper® consulte nuestra página [www.truper.com](http://www.truper.com) donde encontrará un listado actualizado, o llame al: 800 690-6990 ó 800 018-7873 donde le informaran cuál es el Centro de Servicio más cercano.

## AGUASCALIENTES

**DE TODO PARA LA CONSTRUCCIÓN**  
 GERAL BARBACÁN #1201, COL. GERMAL, C.P. 20030, AGUASCALIENTES, AGS. TEL.: 449 994 0537

## BAJA CALIFORNIA

**SUCURSAL TIJUANA**  
 AV LA ENCAJIMADA, LOTE #5, PARQUE INDUSTRIAL EL FLORIDO II, C.P. 22244, TIJUANA, B.C.

## BAJA CALIFORNIA SUR

**FIX FERRERÍAS**  
 FIEPE ANGELES ESQ. RUIZ CORTINEZ S/N, COL. PUEBLO NUEVO, C.P. 25670, CD. CONSTITUCIÓN, B.C.S.

## CAMPECHE

**TORNILLERÍA Y FERRERÍA ABA**  
 AV. ALVARO OBREGÓN #324, COL. ESPERANZA C.P. 24080 CAMPECHE, CAMP. TEL.: 981 815 2808

## CHIAPAS

**FIX FERRERÍAS**  
 AV CENTRAL SUR #27, COL. CENTRO, C.P. 30700, TAPACHULA, CHIS. TEL.: 962 118 4085

## CHIHUAHUA

**SUCURSAL CHIHUAHUA**  
 AV SILVESTRE TERRAZAS #128-11, PARQUE INDUSTRIAL BARRA, CARRETERA MÉXICO CUAHUTÉMOC, C.P. 31415, CHIHUAHUA, CHIH. TEL.: 614 454 0052

## CUIDAD DE MEXICO

**FIX FERRERÍAS**  
 EL MONSTRINO DE CORREDOR, CORREDORA # 35, COL. CENTRO, C.P. 06060, CUAHUTÉMOC, CD.MX.

## COAHUILA

**SUCURSAL TORREÓN**  
 CALLE METAL MECÁNICA #280, PARQUE INDUSTRIAL ORIENTE, C.P. 27278, TORREÓN, COAH.

## COLIMA

**BOMBAS Y MOTORES BVMESA DE MANZANILLO**  
 BLVD MIGUEL DE LA MANDA #190, C.D. DE SEPTEMBER, C.P. 28239, MANZANILLO, COL.

## DURANGO

**TORNILLAS ÁGUILA, S.A. DE C.V.**  
 MAZUÑO #200, COL. LUIS ECHEVERRÍA, DURANGO, DGO. TEL.: 618 817 1946 / 618 818 2844

## ESTADO DE MEXICO

**SUCURSAL CENTRO JILOTEPEC**  
 PARQUE INDUSTRIAL #1, COL. PARQUE INDUSTRIAL JILOTEPEC, JILOTEPEC, EDO. DE MÉX. C.P. 54257

## GUANAJUATO

**CLA. FERRERIA NUEVO MUNDO S.A. DE C.V.**  
 AV. MÉXICO - JAPÓN #252, CD. INDUSTRIAL, C.P. 38010, CERRILVA, GTO. TEL.: 461 617 7578 / 19 / 80 / 88

## GUERRERO

**CENTRO DE SERVICIO ECLIPSE**  
 CALLE PRINCIPAL IZTLI I, COL. SANTA FE, C.P. 39010, CHILPANCIÑO, GRO. TEL.: 747 478 5795

## HIDALGO

**FERRERÍAS ORIENTE #54 LOCAL 30, INTERIOR DE PASAJE ROBLEO, COL. CENTRO, C.P. 43600, TULACINGO, HGO. TEL.: 775 752 6615 / 775 753 6616**

## JALISCO

**SUCURSAL CUADALAJARA**  
 AV. ADOLFO B. HORN # 6800, COL. SANTA CRUZ DEL VALLE, C.P. 45655, TLIJMUJICO DE ZUNIGA, JAL.

## MICHOCÁN

**FIX FERRERÍAS**  
 TEL.: 55 5606 5285 AL 90  
 AV. PASO DE LA REPÚBLICA #3140-A, COL. EXHACIENDA DE LA HUERTA, C.P. 58050, MORELIA, MICH. TEL.: 445 534 6858

## MORELOS

**FIX FERRERÍAS**  
 CAPTÁN ANZURES #95, ESQ. JOSÉ PERDIZ, COL. CENTRO, C.P. 62740, CUAUTLA, MOR.

## NAVARIT

**HERRAMIENTAS DE TEPIC**  
 MAZATLÁN #17, COL. CENTRO, C.P. 63000, TEPIC, NAV.

## NEUVO LEÓN

**SUCURSAL MONTERREY**  
 CARRETERA LA REDO #400, 18 MONTERREY PARKS, COLOMIA PUERTA DE ANÁHUAC, C.P. 66052, ESCOBEDO, NUEVO LEÓN, TEL.: 81 8552 8791 / 81 8352 8790

## OAXACA

**FIX FERRERÍA Y FERRERÍA**  
 AV. 20 DE NOVIEMBRE #910, COL. CENTRO, C.P. 68300, TUXTEPEC, OAX. TEL.: 287 106 5092

## PUEBLA

**SUCURSAL PUEBLA**  
 AV. PÉRFERICO #2-A, SAN LORENZO ALMOCATLA, C.P. 72710, CUAHUTLACINGO, PUE.

## QUERÉTARO

**ARU HERRAMIENTAS S.A. DE C.V.**  
 AV. PUERTO DE VERACRUZ #110, COL. RANCHO DE EMMEIDIO, C.P. 76842, SAN JUAN DEL RÍO, QRO.

## QUINTANA ROO

**FIX FERRERÍAS**  
 CARRETERA FEDERAL, MZ. 46 IT. 3 LOCAL 2, COL. EJIDAL, C.P. 77710 PLAIN DEL CARMEN, Q.R.

## SAN LUIS POTOSÍ

**FIX FERRERÍAS**  
 SAN LUIS POTOSÍ S.L.P. TEL.: 444 822 22 4541  
 AV. UNIVERSIDAD #1850, COL. EL PASO, C.P. 78520, SAN LUIS POTOSÍ, S.L.P.

## SINALOA

**SUCURSAL CUICUILIÁN**  
 AV. JESÚS KUMATE SUR #4301, COL. HACIENDA DE LA MORA, C.P. 80143, CUICUILIÁN, SIN.

## SONORA

**FIX FERRERÍAS**  
 CALLE 5 DE FEBRERO #517, SUR IT. 25 MZ. 10, COL. CENTRO, C.P. 83000, CD. OBREGÓN, SON.

## TABASCO

**SUCURSAL VILLAHERMOSA**  
 CALLE HECHO LOTES 1 Y 2 MZ. #1, COL. INDUSTRIAL, MZ. 2A ETAPA, C.P. 86010, VILLAHERMOSA, TAB.

## TAMAULIPAS

**VM ORINGS Y REPARACIONES**  
 CALLE ROSITA #527, ENTRE 20 DE NOVIEMBRE Y CRAL, TEL.: 993 555 7244

## TLAXCALA

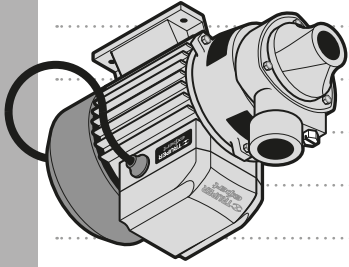
**SERVICIOS Y HERRAMIENTAS INDUSTRIALES**  
 PABLO CISAR #152, COL. BARRIO DE SAN BARTOLOMÉ, C.P. 90970, SAN PABLO DEL MONTE, TLAX.

## VERACRUZ

**LA CASA DISTRIBUIDORA TRUPER**  
 BIVU, PRIMAVERA ESQ. HORTENSIA S/N, COL. PIMAVERA, C.P. 93508, POZA RICA, VER.

## YUCATÁN

**SUCURSAL MÉRIDA**  
 CALLE 33 #600 y 602, LOCALIDAD ITZINGAR Y MULSAN, MPIO. UMANÁ, C.P. 97390, MÉRIDA, YUC.



A series of horizontal dotted lines for writing notes, spanning the width of the page.

## Problema Causa Solución

El motor no arranca.

- No hay energía.
- Impulsor atorado.

- Revise las conexiones y los valores de tensión.
- Libérela con un desarmador (consulte la página 8).

El motor gira sin bombear agua.

- Filtro de la válvula de pie tapado.
- Altura excesiva de succión.
- Aire en la admisión.

- Limpie el filtro.
- Disminuya la longitud del tubo de succión.
- Revise que el tubo de succión sea hermético. Asegúrese de que la válvula de pie esté sumergida al menos 50 cm.
- Es necesario purgar la bomba de nuevo (consulte la página 7).
- Revise la altura de la succión.

Velocidad de flujo insuficiente.

- Altura de la succión en el límite.
- Filtro de la válvula de pie parcialmente tapado.

- Disminuya la longitud del tubo de succión.
- Limpie la válvula de pie y todo el tubo de succión de ser necesario.

Se accionó el corte de carga del motor.

- Motor sobrecalentado.
- Impulsor atorado.

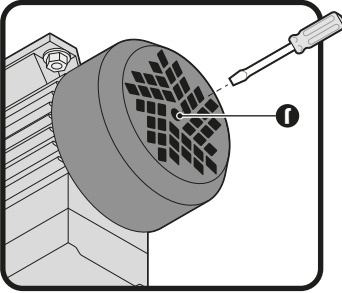
- Revise la tensión y la ventilación.
- Libérela con un desarmador (consulte la página 8).

En caso de que el problema no pueda ser solucionado favor de acudir a un Centro de Servicio Autorizado. Si no se siguen las precauciones anteriores, se puede dañar la bomba y perderse la garantía.

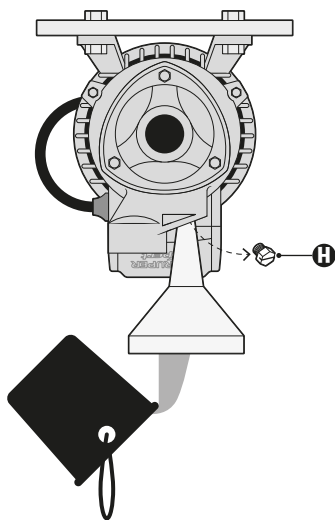


- La bomba no requiere de mantenimiento siempre y cuando se tomen las siguientes precauciones:
  - Cuando exista riesgo de congelación vadee la bomba por completo retirando la válvula de pie para que la tubería se drene (f). Recuerde purgar la bomba antes de ponerla en marcha de nuevo.
  - Revise periódicamente la válvula de pie (no incluida) y límpiela si es necesario.
  - Si la bomba permanecerá inactiva por un largo periodo es recomendable vaciarla por completo, enjuagarla con agua limpia y almacenarla en un lugar seco.
  - Si la flecha no gira libremente utilice un desarmador para liberarla, insertándolo en el orificio posterior de la bomba (f).

**ADVERTENCIA** Desconecte la bomba del suministro de energía antes de realizar trabajos de mantenimiento.



- En caso que la temperatura ambiente este por debajo de 4 °C o que la bomba tenga que dejar de usarse por largo tiempo, vacíe el líquido de la tubería para evitar congelamiento dentro de la bomba. No opere la bomba sin agua.



- La primera vez que ponga en marcha la bomba o después de un largo periodo de inactividad o cuando haya entrado aire al sistema debe de llenar la bomba con agua limpia antes de encenderla.
  - Retire el tapón de purga (H) y llene de agua hasta que llegue al nivel del orificio.
  - Atornille el tapón y encienda la bomba.
- ADVERTENCIA** Nunca ponga en marcha la bomba cuando esté vacía. Si ocurre esto accidentalmente apague la bomba de inmediato, espere a que se enfríe y luego llénela usando agua limpia.

### Purga

## Puesta en marcha

- Recorra a un electricista profesional para realizar las conexiones eléctricas al suministro de energía (G), cumpliendo con los reglamentos obligatorios correspondientes.
- La instalación fija debe de incorporar un dispositivo para asegurar la desconexión omnipolar de la alimentación de energía.
- Asegúrese de que los requerimientos eléctricos descritos en este instructivo y en la placa de la bomba coincidan con los valores de capacidad del suministro de energía.
- Conecte la bomba a un circuito con tierra física y después conecte las fases de acuerdo al diagrama eléctrico de la página 5 o de la placa de la bomba.
- La bomba tiene un motor monofásico, protegido contra sobrecargas usando un dispositivo térmico (corte de sobrecorriente) colocado en el devanado.

### Conexión eléctrica

## Instalación

# Instalación

## Montaje

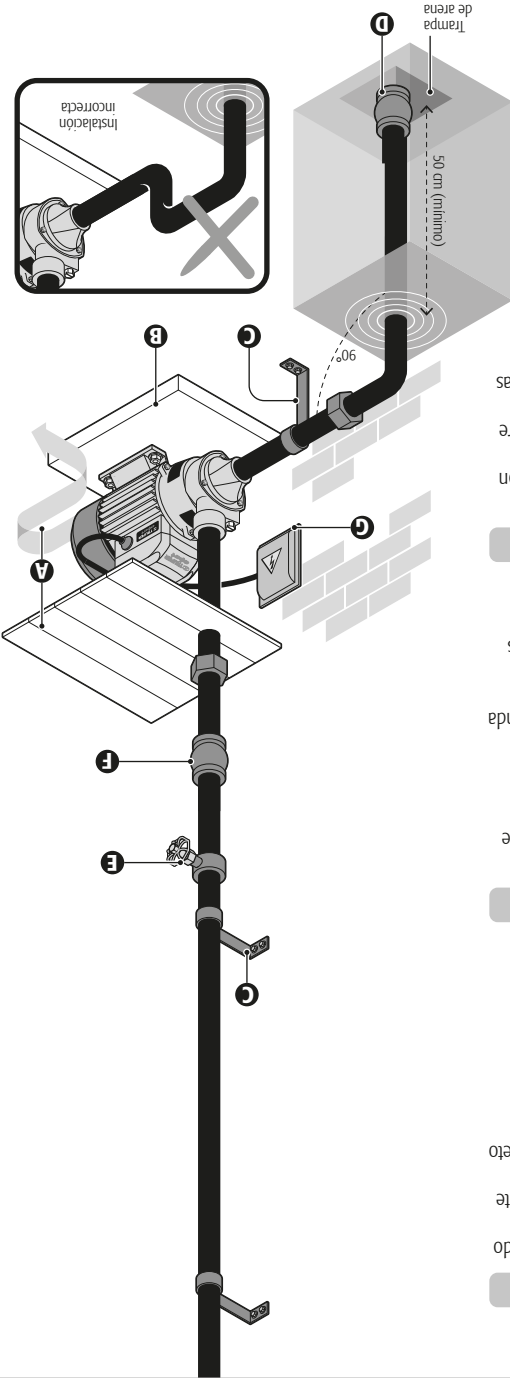
- La bomba debe instalarse en un lugar seco, al resguardo de la intemperie, que permita el flujo de aire para su adecuada ventilación (A). Con una temperatura ambiente que no exceda los 40 °C (104 °F).
- Utilice pernos para fijar la bomba a una base de concreto para evitar cualquier vibración (B). La bomba debe instalarse en posición horizontal para asegurar su buen funcionamiento.
- Los tubos de las líneas de succión y presión deben de contar con soportes a la pared o piso para evitar la transmisión de tensión al cuerpo de la bomba (C).
- Tenga cuidado de no dañar la bomba y/o la tubería debido a un apriete excesivo de las uniones.

## Línea de succión (entrada)

- El diámetro del tubo de succión no debe ser menor al diámetro de la toma de agua de la bomba. Si la altura de la succión excede de 4 m, use un tubo con un diámetro más grande.
- El tubo de succión debe de ser completamente hermético, su extremo debe de estar sumergido en el agua por lo menos medio metro, en donde se recomienda instalar una válvula de pie (D). El tubo debe de quedar perfectamente vertical y doblar a 90° hacia la toma de agua de la bomba. De no seguir estas indicaciones se formarán cerrres de aire y burbujas que interferirán con el buen desempeño de la bomba.

## Línea de presión (salida)

- Al tubo de salida debe de adaptarse una válvula de compuerta (E) para ajustar la velocidad de flujo y presión requeridas.
- Se recomienda colocar una válvula sin retorno (F) entre la salida de agua a presión de la bomba y la válvula de compuerta para evitar el regreso inesperado de columnas de agua que excedan los 20 metros.



**Usos adecuados**

• La bomba es un dispositivo estacionario diseñado para bombear líquidos neutros limpios, que no tengan sólidos abrasivos en sus superficies, a temperaturas no superiores a 40 °C (104 °F). Útil para riegos de huertas, para bombear líquidos no agresivos y para incrementar la insuficiente presión de la red de acueductos.

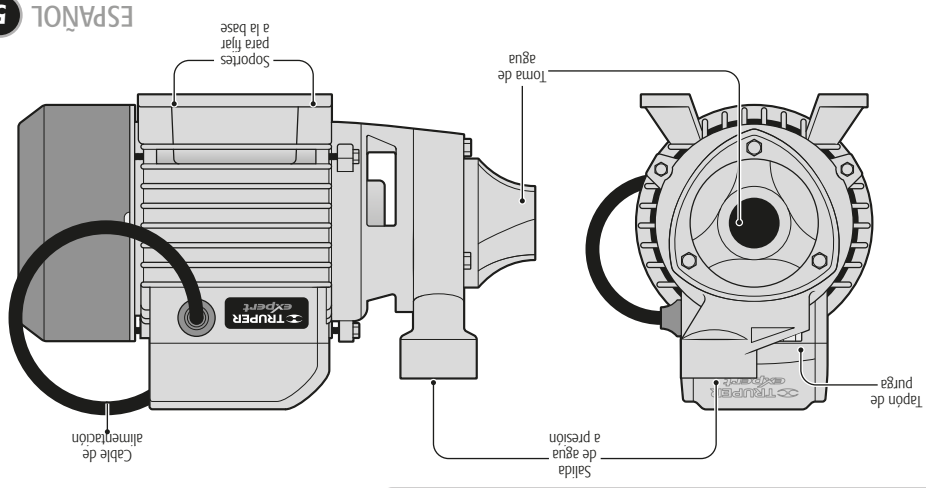
• Las bombas perforadas son adecuadas para su aplicación agrícola en sistemas de riego por mini aspersión o pulverización aérea, en los cuales los requerimientos de presión son mayores, debido a la altura del sistema de riego, y donde los requerimientos mínimos de presión para el correcto funcionamiento de aspersores tipo pulverizador o nebulizador son altos. En este tipo de aplicaciones, las bombas centrífugas no son recomendables por la baja presión de salida que manejan.

• El dispositivo cumple con los requerimientos más actuales en seguridad siempre y cuando se le de el uso para el que fue diseñado. El dispositivo solamente puede ser utilizado bajo las restricciones de desempeño permitidas.

• No se debe utilizar para bombear explosivos, combustibles o materiales agresivos ni sustancias dañinas a la salud o aguas negras.

• El uso inadecuado o las modificaciones al dispositivo, el uso de componentes que no han sido probados y aprobados por el fabricante, pueden tener como resultado daños imprevistos al dispositivo y al operador, y libera al fabricante de su responsabilidad legal.

**Partes**



fuerza de alimentación coincide con los requisitos de la bomba.

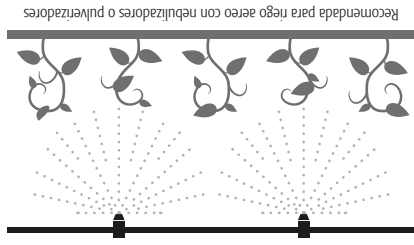
**ADVERTENCIA** • Antes de conectar, verifique que la

un disyuntor de corriente residual RCCB diseñado con un

La bomba se conectará a través de

**ADVERTENCIA** • La bomba se conectará a través de

Recomendada para riego aéreo con nebulizadores o pulverizadores



garantía.

de este instructivo puede dañar la bomba e invalidar la

desperdicio ocasionado por la omisión de las indicaciones

instalar y poner en marcha la bomba. Cualquier

• Lea y obedezca las instrucciones de operación antes de

no sea legible, debe ser reemplazada de inmediato.

• Los símbolos adheridos al dispositivo no deben retirarse

ni cubrirse. Toda información sobre el dispositivo que ya

garantía.

contrario se expone a un choque eléctrico e invalida la

• Cualquier reparación debe hacerse únicamente por un

Centro de Servicio Autorizado **TRUPER**. De lo

• Cualquier reparación debe hacerse únicamente por un

Esta herramienta cumple con la Norma Oficial



NOM-ANEXO

# Advertencias generales de seguridad para herramientas eléctricas

**ADVERTENCIA!** Lea detenidamente todas las advertencias y todas las instrucciones que se existen a continuación. La omisión de alguna de ellas puede dar como resultado un choque eléctrico, incendio y/o daño serio. **Conservar las advertencias y las instrucciones para futuras referencias.**

No sobrepase su campo de acción. Mantenga ambos pies bien asentados sobre el suelo y conserve el equilibrio en todo momento. Esto permite un mejor control de la herramienta en situaciones inesperadas. Vista adecuadamente. No vista ropa suelta o joyas. Mantenga su pelo, su ropa y guantes alejados de las piezas en movimiento. La ropa o el pelo suelto o las joyas pueden quedar atrapados en las piezas en movimiento. En caso de contar con dispositivos de extracción y recolección de polvo conectados a la herramienta, verifique sus conexiones y líselos correctamente. El uso de estos dispositivos reduce los riesgos relacionados con el polvo.

**Uso y cuidados de la herramienta**  
 No fuerce la herramienta. Use la herramienta adecuada para el trabajo a realizar. La herramienta adecuada hace un trabajo mejor y más seguro cuando se usa al ritmo para el que fue diseñada.

No use la herramienta si el interruptor no funciona. Cualquier herramienta eléctrica que no pueda encenderse o apagarse es peligrosa y debe repararse antes de ser operada. Desconecte la herramienta de la fuente de alimentación y/o de la batería antes de efectuar cualquier ajuste, cambiar accesorios o almacenarla. Estas medidas reducen el riesgo de arrancar la herramienta accidentalmente.

Almacene las herramientas fuera del alcance de los niños y no permita su manejo por personas no familiarizadas con las herramientas o con las instrucciones. Las herramientas eléctricas son peligrosas en manos no entrenadas. Déle mantenimiento a la herramienta. Compruebe que las partes móviles no estén desalineadas o trabadas, que no haya piezas rotas u otras condiciones que puedan afectar su operación. Repare cualquier daño antes de usar la herramienta. Muchos accidentes son causados por el escaso mantenimiento de las herramientas.

Use la herramienta, sus componentes y accesorios de acuerdo con estas instrucciones y de la manera prevista para el tipo de herramienta, en condiciones de trabajo adecuadas. El uso de la herramienta para aplicaciones diferentes para las que está diseñada podría causar una situación de peligro.

**Servicio**  
 Repare la herramienta en un Centro de Servicio Autorizado TRUPER usando sólo piezas de repuesto idénticas. Para mantener la seguridad de la herramienta.

El aparato no está previsto para su utilización por personas (incluidos los niños) cuyas capacidades físicas, sensoriales o mentales reducidas, o por personas sin experiencia o conocimientos, salvo si éstas se encuentran vigiladas por una persona responsable de su seguridad o han recibido instrucciones previas sobre el uso del aparato. Los niños deberán estar bajo supervisión para cerciorarse de que no jueguen con el aparato. Se requiere asistencia supervisión cuando las personas desapeadadas o los niños utilicen cualquier aparato eléctrico o estén cerca de él.

**Área de trabajo**  
 Mantenga el área de trabajo limpia y bien iluminada. Las áreas desordenadas y oscuras son propensas a accidentes.

No maneje la herramienta en ambientes explosivos, como en presencia de líquido, gas o polvo inflamables. Las herramientas eléctricas producen chispas que pueden encender material inflamable.

Mantenga alejados a los niños y curiosos cuando opere la herramienta. Las distracciones pueden hacer que pierda el control.

**Seguridad eléctrica**  
 La clavija de la herramienta debe coincidir con el tomacorriente. Nunca modifique una clavija. No use ningún tipo de adaptador para clavijas de herramientas puestas a tierra. Clavijas modificadas y enchufes diferentes aumentan el riesgo de choque eléctrico. Evite el contacto del cuerpo con superficies puestas a tierra como tuberías, radiadores, cocinas eléctricas y refrigeradores. Hay un mayor riesgo de choque eléctrico si el cuerpo está puesto a tierra. No exponga la herramienta a la lluvia o condiciones de humedad. El agua que ingresa en la herramienta aumenta el riesgo de choque eléctrico. No fuerce el cable. Nunca use el cable para transportar, levantar o desconectar la herramienta. Mantenga el cable lejos del calor, aceite, ollas afiladas o piezas en movimiento. Los cables dañados o entredados aumentan el riesgo de choque eléctrico. Cuando maneje una herramienta en exteriores, use una extensión especial para uso en exteriores. El uso de una extensión adecuada para exteriores reduce el riesgo de choque eléctrico.

Si el uso de la herramienta en un lugar húmedo es inevitable, use una alimentación protegida por un interruptor de circuito de falla a tierra (GFCI). El uso de un GFCI reduce el riesgo de choque eléctrico.

**Seguridad personal**  
 Está alerta, vigile lo que está haciendo y use el sentido común cuando maneje una herramienta. No la use si está cansado o bajo la influencia de drogas, alcohol o medicamentos. Un momento de distracción mientras maneja la herramienta puede causar un daño personal. Causar un daño personal. Use equipo de protección para los ojos. El uso de equipo de seguridad como lentes de seguridad, mascarilla antipolvo, zapatos antideslizantes, casco y protección para los oídos en condiciones apropiadas, reduce de manera significativa los daños personales.

**Evite arranques accidentales.** Asegúrese de que el interruptor esté en posición "apagado" antes de conectar la fuente de alimentación y/o a la batería o transportar la herramienta. Transportar herramientas eléctricas con el dedo sobre el interruptor o "enchufar" herramientas eléctricas que tienen el interruptor en posición de "encendido" puede causar accidentes. Retire cualquier llave o herramienta de ajuste antes de arrancar la herramienta eléctrica. Las llaves o herramientas que quedan en las partes rotativas de la herramienta pueden causar un daño personal.



<b>BOAP-1/2</b>	<b>BOAP-3/4</b>	<b>BOAP-1</b>
-----------------	-----------------	---------------

• Código	10068	10069	10070
----------	-------	-------	-------

• Descripción	Bomba perforadora para agua		
---------------	-----------------------------	--	--

• Tensión	127 V ~		
-----------	---------	--	--

• Frecuencia	60 Hz		
--------------	-------	--	--

• Velocidad	3 450 r/min		
-------------	-------------	--	--

• Corriente	4.7 A	7.2 A	10.4 A
-------------	-------	-------	--------

• Potencia	1/2 Hp (375 W)	3/4 Hp (560 W)	1 Hp (746 W)
------------	----------------	----------------	--------------

• Diámetro de entrada y salida	1 NPT		
--------------------------------	-------	--	--

• Máxima profundidad de succión	8 m		
---------------------------------	-----	--	--

• Máxima altura manométrica total	45 m	65 m	70 m
-----------------------------------	------	------	------

• Flujo máximo	42 L/min	45 L/min	50 L/min
----------------	----------	----------	----------

• Temperatura máxima del agua	40 °C		
-------------------------------	-------	--	--

• Conductores	18 AWG	16 AWG	16 AWG
---------------	--------	--------	--------

• Ciclo de trabajo	50 min de trabajo por 20 min de descanso. Máximo 6 h diarias.		
--------------------	---	--	--

• Aislamiento	Clase I		
---------------	---------	--	--

• Grado IP	IPX4		
------------	------	--	--

El cable de alimentación tiene sujeta-cables tipo: Y  
 La clase de construcción de la herramienta es: Aislamiento básico.  
 La clase de aislamiento térmico de los devanados del motor: Clase F.

### ADVERTENCIA

Si el cable de alimentación se daña, éste debe ser reemplazado por el fabricante o Centro de Servicio Autorizado **TRUPER**, con el fin de evitar algún riesgo de descarga o accidente considerable. La construcción del aislamiento eléctrico de esta herramienta es alterado por salpicaduras o derramamiento de líquidos durante su operación. No la exponga a la lluvia, líquidos y/o humedad. Antes de obtener acceso a las terminales, todos los circuitos de alimentación deben ser desconectados.



## Requerimientos eléctricos

### ATENCIÓN

La conexión a la fuente de energía debe realizarse por un profesional en electricidad, siguiendo el diagrama eléctrico de la derecha.

### ATENCIÓN

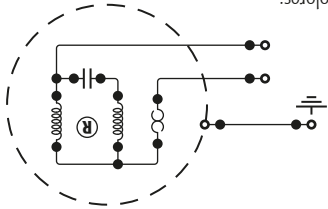
Use un circuito eléctrico separado para la bomba. Este circuito no debe tener conductores con un calibre inferior al 12 AWG, y debe estar protegido con un fusible con demora de tiempo de 20 A. Antes de conectar el motor a la línea de corriente, asegúrese de que la tensión sea igual a la indicada en la placa de datos del motor. Si se opera con una tensión menor, se dañará el motor.




### ATENCIÓN

Los cables de energía están codificados con los siguientes colores:  
 Verde y Amarillo: Tierra  
 Negro: Neutro  
 Blanco: Línea

### ADVERTENCIA

Todo el cableado, las conexiones eléctricas y la conexión a tierra del sistema deben cumplir con la **NORMA OFICIAL MEXICANA NOM-001-SEDE, INSTALACIONES ELÉCTRICAS (UTILIZACIÓN)** o con los códigos y ordenanzas locales. Debe emplear un electricista calificado. Es recomendable que la bomba se alimente con un interruptor diferencial con una corriente asignada no mayor a 30 mA.



- 
**EXCEDER EL CICLO DE TRABAJO REDUCE LA VIDA ÚTIL DE SU HERRAMIENTA**  
 50 min de trabajo por 20 min de descanso. Máximo diario 6 horas.
- 
**NUNCA** use el cable para transportar, levantar o desconectar la herramienta.
- 
**MANTENIMIENTO** Realice periódico a su máquina (página 8).

# Recomendaciones de uso y cuidados



Para poder sacar el máximo provecho de la herramienta, alargar su vida útil, hacer válida la garantía en caso de ser necesario y evitar riesgos o lesiones graves, es fundamental leer este instructivo por completo antes de usar la herramienta.

Guarde este instructivo para futuras referencias. Los gráficos de este instructivo son para referencia, pueden variar del aspecto real de la herramienta.

## ⚠️ ATENCIÓN

- 
 Advertencias de seguridad para uso de bombas de agua.
- 
 Advertencias generales de seguridad para herramientas eléctricas.
- Requemientos eléctricos.
- Especificaciones técnicas.
- Instalación.
- Puesta en marcha.
- Mantenimiento.
- Solución de problemas.
- Notas.
- Centros de servicio autorizados.
- Póliza de garantía.

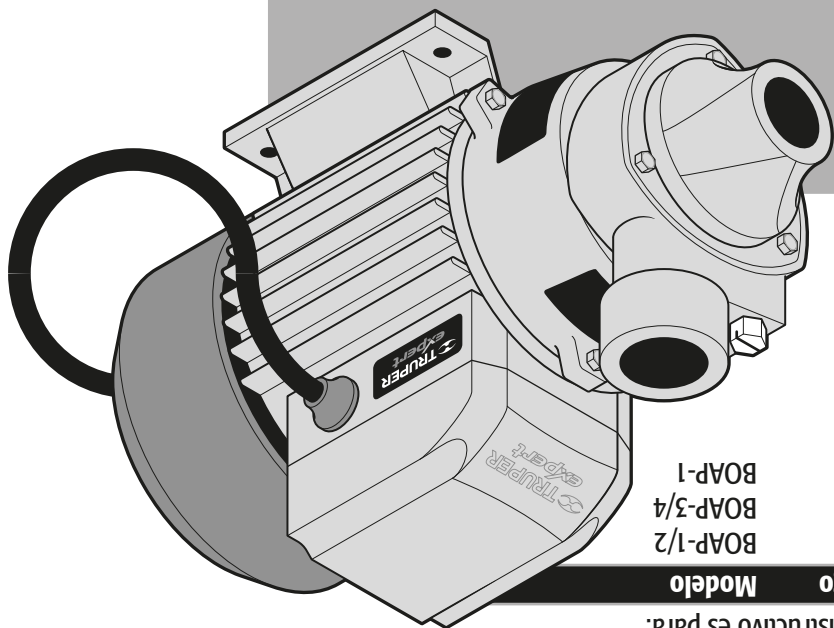




Lea este instructivo por completo  
antes de usar la herramienta.



**ATENCIÓN**



Código	Modelo
10070	BOAP-1
10069	BOAP-3/4
10068	BOAP-1/2

Este instructivo es para:

# Instructivo de Bomba periférica para agua

Uso agrícola



ESPAÑOL  
ENGLISH

**TRUPER**  *expert*