

ENGLISH
ESPAÑOL

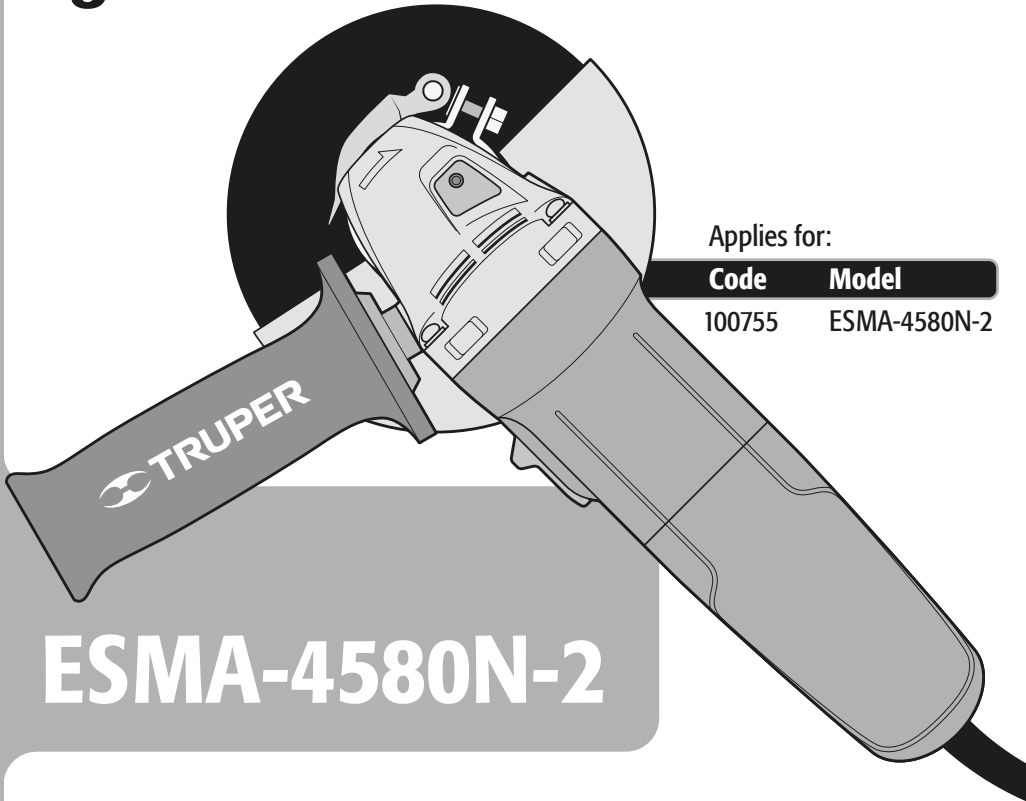
TRUPER[®] INDUSTRIAL

Manual

Angle grinder

1.1 Hp
Power

4 1/2"
Wheel



Applies for:

Code	Model
100755	ESMA-4580N-2



ESMA-4580N-2

CAUTION



Read this manual thoroughly
before using the tool.



Technical Data	3
Power Requirements	3
 General power tool safety warnings	4
 Safety warnings for angle grinders	5
Parts	7
Preparation	7
Start Up	8
Maintenance	9
Notes	10
Authorized Service Centers	11
Warranty Policy	12

CAUTION

To gain the best performance of the tool, prolong the duty life, make the Warranty valid if necessary, and to avoid hazards of fatal injuries please read and understand this Manual before using the tool.

Keep this manual for future references.


The illustrations in this manual are for reference only. They might be different from the real tool.


Use and care recommendations

 **TO EXTEND THE LIFE OF YOUR TOOL, CLEAN IT WITH COMPRESSED AIR AFTER EACH USE.**

 **FULFILL THE WORKING CYCLES**
50 min of work and 20 min of rest. Daily maximum 6 hours.



 **NEVER** use or pull the power cord to carry, lift, or disconnect the tool.

 **NEVER** press the lock button while the disc is running.



 Perform periodic **MAINTENANCE** to your machine (page 9).

ESMA-4580N-2

Code	•	100755			
Description	•	Angle grinder			
Grinding wheel	•	4 1/2"			
Voltage	•	220 V~			
Frequency	•	50 Hz / 60 Hz			
Current	•	3.3 A			
Power	•	1.1 Hp			
Speed	•	11 000 RPM	Screwed thread size	•	M14
Duty cycle	•	50 minutes work per 20 minutes idle. Maximum 6 hours per day.			
Conductors	•	H05RN-F 2X0.75 mm ²			
Insulation	•	Class II	IP Grade	•	IP20

Power Cord Grips used in this product: Type Y
Tool Build Quality: Reinforced insulation.
Thermal insulation on motor winding: Class E

⚠ WARNING Avoid the risk of electric shock or severe injury. When the power cable gets damaged it should only be replaced by the manufacturer or at a **TRUPER** Authorized Service Center. The build quality of the electric insulation is altered if spills or liquid gets into the tool while in use. Do not expose to rain, liquids and/or dampness.

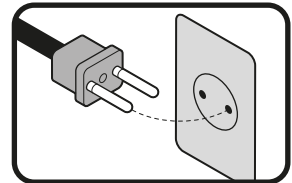
⚠ WARNING Before gaining access to the terminals all power sources should be disconnected.



Power Requirements

⚠ WARNING Tools with double insulation and reinforced insulation eliminate the need of a grounded power cord with three prongs or a grounded power connection.

⚠ WARNING When using an extension cable, verify the gauge is enough for the power that your product needs. A lower gauge cable will cause voltage drop in the line, resulting in power loss and overheating. The following table shows the right size to use depending on cable's length and the ampere capability shown in the tool's nameplate. When in doubt use the next higher gauge.



Ampere Capacity	Number of Conductors	Extension gauge	
		from 6' to 49'	higher than 49'
from 0 A and up to 10 A	3 (one grounded)	18 AWG(*)	16 AWG
from 10 A and up to 13 A		16 AWG	14 AWG
from 13 A and up to 15 A		14 AWG	12 AWG
from 15 A and up to 20 A		8 AWG	6 AWG

* It is safe to use only if the extensions have a built-in artifact for over current protection.

AWG = American Wire Gauge. Reference: NMX-I-195-ANCE



General power tool safety warnings



⚠ WARNING! Read carefully all safety warnings and instructions listed below. Failure to comply with any of these warnings may result in electric shock, fire and / or severe damage. **Save all warnings and instructions for future references.**

Work area

Keep your work area clean, and well lit.

Cluttered and dark areas may cause accidents.



Never use the tool in explosive atmospheres, such as in the presence of flammable liquids, gases or dust.

Sparks generated by power tools may ignite the flammable material.



Keep children and bystanders at a safe distance while operating the tool.

Distractions may cause losing control.



Electrical Safety

The tool plug must match the power outlet. Never modify the plug in any way. Do not use any adapter plugs with grounded power tools.

Modified plugs and different power outlets increase the risk of electric shock.



Avoid body contact with grounded surfaces, such as pipes, radiators, electric ranges and refrigerators.

The risk of electric shock increases if your body is grounded.

Do not expose the tool to rain or wet conditions.

Water entering into the tool increases the risk of electric shock.

Do not force the cord. Never use the cord to carry, lift or unplug the tool. Keep the cord away from heat, oil, sharp edges or moving parts.

Damaged or entangled cords increase the risk of electric shock.

When operating a tool outdoors, use an extension cord suitable for outdoor use.

Using an adequate outdoor extension cord reduces the risk of electric shock.

If operating the tool in a damp location cannot be avoided, use a ground fault circuit interrupter (GFCI) protected supply.

Using a GFCI reduces the risk of electric shock.

Personal safety

Stay alert, watch what you are doing and use common sense when operating a tool. Do not use a power tool while you are tired or under the influence of drugs, alcohol or medication.

A moment of distraction while operating the tool may result in personal injury.

Use personal protective equipment. Always wear eye protection.

Protective equipment such as safety glasses, anti-dust mask, non-skid shoes, hard hats and hearing protection used in the right conditions significantly reduce personal injury.



Prevent unintentional starting up. Ensure the switch is in the "OFF" position before connecting into the power source and / or battery as well as when carrying the tool.

Transporting power tools with the finger on the switch or connecting power tools with the switch in the "ON" position may cause accidents.

Remove any wrench or vice before turning the power tool on.

Wrenches or vices left attached to rotating parts of the tool may result in personal injury.

Do not overreach. Keep proper footing and balance at all times.

This enables a better control on the tool during unexpected situations.

Dress properly. Do not wear loose clothing or jewelry. Keep hair, clothes and gloves away from the moving parts.

Loose clothes, jewelry or long hair can become caught in moving parts.



If you have dust extraction and recollection devices connected onto the tool, inspect their connections and use them correctly.
Using these devices reduce dust-related risks.

Power Tools Use and Care

Do not force the tool. Use the adequate tool for your application.



The correct tool delivers a better and safer job at the rate for which it was designed.

Do not use the tool if the switch is not working properly.

Any power tool that cannot be turned ON or OFF is dangerous and should be repaired before operating.

Disconnect the tool from the power source and / or battery before making any adjustments, changing accessories or storing.

These measures reduce the risk of accidentally starting the tool.

Store tools out of the reach of children. Do not allow persons that are not familiar with the tool or its instructions to operate the tool.



Power tools are dangerous in the hands of untrained users.

Service the tool. Check the mobile parts are not misaligned or stuck. There should not be broken parts or other conditions that may affect its operation. Repair any damage before using the tool.



Most accidents are caused due to poor maintenance to the tools.

Keep the cutting accessories sharp and clean.

Cutting accessories in good working conditions are less likely to bind and are easier to control.

Use the tool, components and accessories in accordance with these instructions and the projected way to use it for the type of tool when in adequate working conditions.

Using the tool for applications different from those it was designed for, could result in a hazardous situation.

Service

Repair the tool in a TRUPER[®] Authorized Service Center using only identical spare parts.

This will ensure that the safety of the power tool is maintained.

Safety warnings for angle grinders

This power tool is intended to function as a cutting tool. Read all safety warnings, instructions and specifications provided. Failure to follow the instructions outlined below may result in electric shock, fire and/or serious injury.

TRUPER[®]
INDUSTRIAL

Select the right disc

⚠ CAUTION • Never use discs with bigger diameter than the size required in the tool.

⚠ WARNING • Use only discs or accessories more than 11 000 RPM speeds.

The rated speed of the accessory must be at least equal to the maximum speed marked on the tool. Accessories running faster than their rated speed may break and become detached.

⚠ CAUTION • Use only discs or accessories with an orifice that fits perfectly in the tool spindle.

⚠ CAUTION • Use only discs or accessories specifically designed for the chosen material.

Before operating the grinder

• Set apart some time and assess the job you are about to do. Pay attention to all the necessary cautions before starting to grind.

⚠ DANGER • Remove all the fastening wrenches from the tool. Otherwise they can shoot away causing severe injuries to the user.

⚠ WARNING • Double-check the guard. It should be perfectly fastened and in good working condition. Do not use the tool without a guard. Fragments of workpieces or a broken accessory can break off and cause damage beyond the immediate area of operation.

⚠ CAUTION • Double-check the disc. It should not be broken or cracked. Tap the disc gently with a wooden hammer and listen for a strange sound to learn if it is cracked.

⚠ DANGER • Before plugging the tool, see if it is in the OFF position. Otherwise the tool could start unexpectedly causing severe injuries.

⚠ CAUTION • Run the tool 30 seconds before using, to detect important vibration or any type of unusual movement. If detected, unplug the tool and take it to a TRUPER[®] Authorized Service Center.

⚠ CAUTION • See if the disc rotates freely.
• Do not tighten the disc. It could break.

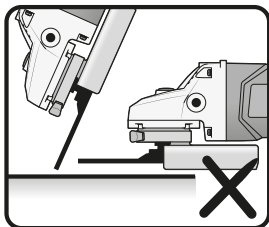
⚠ WARNING • To work with small work pieces fasten with wrenches. Never use your hands to hold the piece.

⚠ DANGER Do not place saw discs for wood or a serrated blade. Such blades create frequent kickbacks and loss of control.

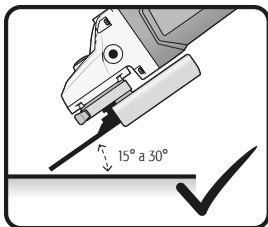
Keep present people at a safe distance from the work area. Anyone entering the work area should wear personal protective equipment.

Operations for which this power tool is not designed may result in an accident and cause personal injury. It is not recommended to use this power tool in operations such as sanding, brushing or polishing

Do not use accessories that are not specifically designed and recommended by the manufacturer.



Wrong way to operate the grinder





Right way to operate the grinder

The outer diameter and thickness of the accessories must be within the assigned capacity. Incorrectly sized accessories cannot be properly protected or controlled. For best results use 4-1/2" cutting discs with 0.04" (1mm) - 0.25" (6.4 mm) thickness

While operating the grinder


⚠ CAUTION • Do not start the tool when the disc is touching the work piece.

⚠ WARNING • Wear safety glasses, gloves and an apron when using the tool.  

⚠ WARNING • Keep the power cable or extension in the back of the tool. Avoid accidentally damaging the cables with the disc.

• If control of the power tool is lost, the cable may be cut or tangled and the operator's arm or hand may be pulled toward the rotary attachment.

⚠ WARNING • Never hold the tool by the power cable. Hold by the housing or auxiliary handle.

⚠ CAUTION • Hold the tool by the isolated parts. The cutting tool could come into contact with hidden wiring or its own cable. Making contact with a "live" wire causes the metal parts to electrify and give an electric shock to the user. 

• Never let go of the power tool until the attachment comes to a complete stop.

• Never hit the work surface with the disc.

⚠ CAUTION • To get the best result with the grinding process, the inclination of the disc and the working surface should have an angle measuring 15° to 30°

⚠ DANGER • When the disc is rotating never use the spindle lock to stop it. It is very dangerous and may cause injuries to the user.

⚠ CAUTION • Do not touch the disc or the working piece after grinding. Wait for them to cool down. Never try to cool them down using water or oil.

⚠ WARNING • Before checking, adjusting or changing discs, double-check the tool is not plugged in.

• Do not use the power tool near flammable materials.

• Do not operate the tool while it is being transported to your side.

⚠ DANGER • Sparks caused when grinding may be dangerous. Use caution. Make sure sparks do not get into contact with skin or flammable substances.

• Gradually clean the tool's vents. The motor fan directs dust into the housing and excessive accumulation of metal dust can cause an electrical hazard.

• Do not use accessories that require liquid refrigerants. The use of water or other liquid refrigerants can result in an electric shock.

⚠ DANGER KICKBACK (Sharp Recoil)

Kickback (sharp recoil) is a sudden reaction when a rotating wheel, backrest, brush, or other accessory gets stuck or snagged. Stalling or snagging causes rapid stalling of the rotary attachment which in turn causes the power tool to be forced uncontrollably in the direction opposite to the rotation of the attachment at the working point. An abrasive disc jams into the workpiece, the edge of the contacting disc can be pinched into the surface of the material causing the disc to stop, creating a kickback (sudden recoil). The disc may break and the fragments may jump in the direction of or away from the operator, depending on the direction of disc movement at the point of jamming.

Kickback can occur as a result of misuse of power tools and/or improper operating procedures or conditions and can be avoided by taking the precautions listed below:

a) Keep a firm grip on the power tool. Maintain your body and arm so that they can resist the forces of kickback. Always use the auxiliary handle, if provided, for maximum control over kickback or the reaction of the torsional movement of the engine during starting. The operator can control the torsional movement and the kickback forces if the appropriate precautions are taken;

b) Never place your hand near the rotating attachment.

The accessories may kick back in your hand;

c) Do not place your body in the area where the power tool can move if kickback (sudden recoil) occurs.

This will propel the power tool in the opposite direction of disc movement at the point of engagement or binding;

d) Take special care when working on corners, sharp edges, among others. Avoid bouncing and jamming of the attachment.

When working corners, sharp edges, or bouncing, can cause the attachment to jam and result in loss of control of the power tool or kickback (sudden recoil) of the power tool.

⚠ WARNING Specific safety for grinding and cutting operations with abrasives

a) Use only disc types that are recommended for the specific power tool and the specific tool holder that is designed for the selected disc.

Discs that are not designed for the power tool cannot be properly protected and are unsafe;

b) The grinding surface of discs with a sunken center must be installed below the plane of the guard.

An improperly installed disc may project burrs outside the plane of the guard and cannot be properly protected;

c) The guard must be securely fastened to the power tool and positioned to provide maximum safety, so that the least amount of the blade is exposed to the operator.

Do not use damaged accessories. Before each use inspect the accessories. * Check abrasive discs for damage.

* Check backing pads for cracks, tears or excessive wear. After inspecting and installing the accessory, operate the tool at maximum speed without charge for one minute. Damaged accessories usually break during this period of time.

Do not use accessories that are not specifically designed and recommended by the manufacturer. The fact that the accessory may be installed on the power tool does not ensure safe operation.

d) Discs should be used only for their recommended applications. For example: do not grind with the side of a cut-off wheel. Abrasive discs are used for perfect grinding. If lateral forces are applied, they can break;

e) Always use flanges in perfect condition, of the correct size according to the shape of the selected disk.

A flange with the correct characteristics supports the disc, which reduces the possibility of disc rupture. The flanges for cut-off wheels can be different from the flanges for grinding wheels;

f) Do not use worn out disks from larger or higher capacity tools

Disks that are designed for larger or higher capacity tools are not suitable for the increased speed that occurs in the operation of a smaller size or capacity tool and may defragment.

⚠ WARNING Additional safety warnings for abrasive cutting operations

a) Avoid locking or applying excessive pressure to the abrasive cut-off wheel. Do not attempt to make an excessively deep cut.

Applying excessive force to the disc increases the load on the power tool and the susceptibility to deformation in the cutting area and increases the possibility of kickback (sudden recoil) or blade breakage;

b) Do not place your body in line and behind the rotating disc.

When the disc, at the point of operation, is aligned with your body, the possibility of a kickback (sudden recoil) can propel the spinning disc and the power tool directly against you;

c) When disc operation is interrupted or cutting stops for any reason, turn off the power tool and keep it stationary until the disc comes to a complete stop. Do not attempt to remove the blade while it is in motion, as this may cause kickback (sudden recoil) or similar effect.

Investigate and complete corrective actions to eliminate the cause of the spin interruption;

d) Do not restart the cutting operation on the workpiece. Allow the blade to reach maximum speed off the workpiece and carefully restart cutting.

The abrasive cut-off disc can jam, move upwards or produce a kickback if cutting is restarted on the workpiece;

e) Support large workpieces on presses or clamping brackets to reduce the risk of the abrasive cut-off disc becoming trapped or of kickback (sudden recoil).

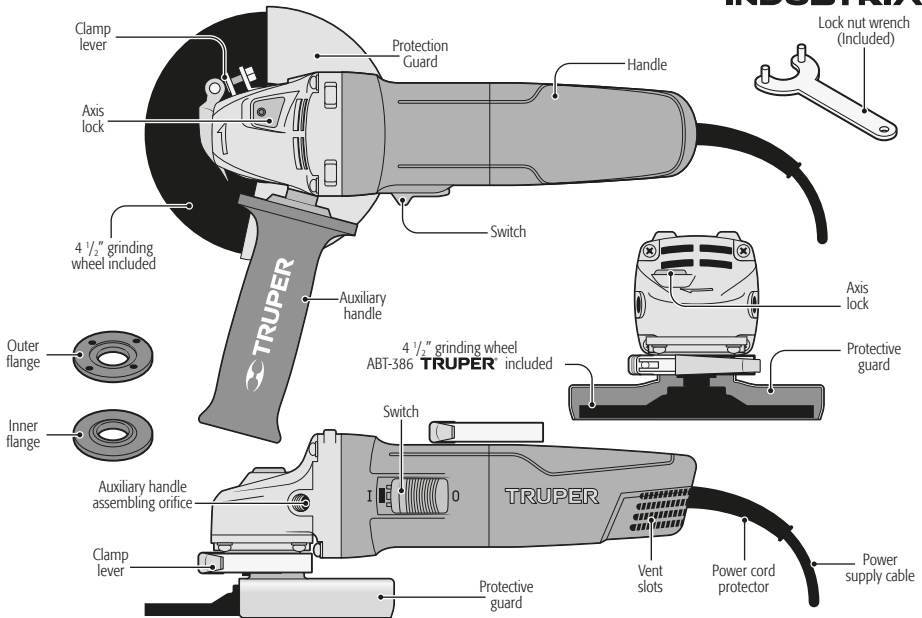
Large pieces tend to sink under their own weight. Brackets should be placed under the workpiece near the cutting line and near the edge of the workpiece on both sides of the abrasive cut-off wheel;

f) Be careful when making a "very small cut" in walls or other blind areas or where there is no visibility of internal components.

The protruding abrasive cutting disc can cut through gas or water pipes, electrical wiring, or objects that may cause kickback (sudden recoil).

Parts

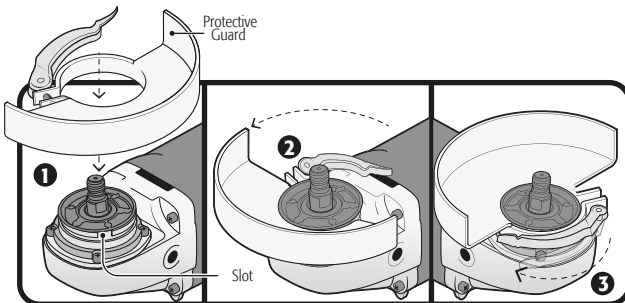
TRUPER[®]
INDUSTRIAL



Preparation

Protection Guard Assembly

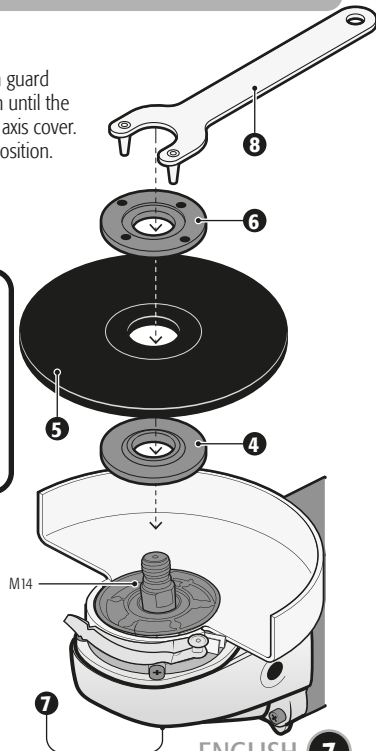
1. Open the clamp lever and match both cantilevered parts inside the protection guard bracket with the matching slots in the axis cover. Push the protective guard down until the protruding parts engage and rotate freely with the corresponding grooves in the axis cover.
2. With the clamp lever open, turn the protective guard to the desired working position.
3. Set it pushing the bracket lever.



Disc Assembly

4. Fit the inner flange onto the spindle.
5. Set the disc onto the inner flange.
6. Set the outer flange onto the spindle.
7. Press the spindle lock into the grinder head.
8. Screw the outer flange with the lock nut wrench until securely fastened.

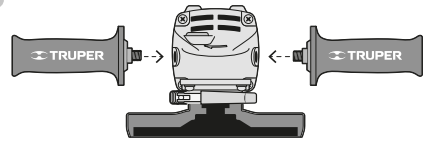
⚠ DANGER The spindle lock should only be used to change discs. Never use it to stop the disc while rotating.



ENGLISH **7**

Auxiliary handle assembly

CAUTION Before performing any operation, always make sure that the auxiliary handle is firmly installed. Set the auxiliary handle in one of the two positions according to the operator's preference and the job to perform.



Start Up

The angle grinder is a manual power tool used to grind and cut steel, pipes, iron angles, brick, tile, stone and / or ceramic pieces; to remove burr on metal surfaces, to level and make smooth welding lines. If the tool accessory is changed it can be used to remove oxide and to polish metal surfaces and other materials.

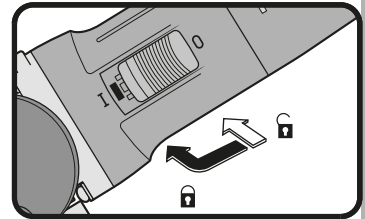
Switch On

Intermittent operation

- Connect the plug.
- Slide the switch forward by applying pressure only in the back side. When the pressure is reduced, the switch returns to its original position.

Continuous operation

- Connect the plug.
- Slide the switch to the front of the tool and press down the front of the switch. To interrupt operation, press the back of the switch and release it.



How to correctly hold the tool

Always hold the tool with both hands. Hold the handle with one hand and the other hand hold the auxiliary handle. Be careful not to obstruct the ventilation slots.

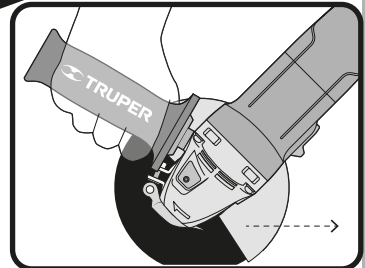
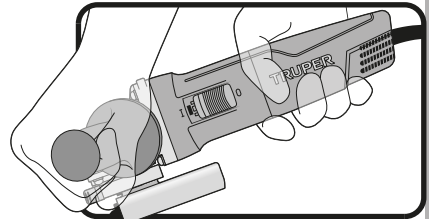
Grinding:

For better results hold the tool 15° to 30° regarding the work piece. Move forwards to backwards applying light pressure with a constant rhythm. This way the work piece does not get too hot, will not discolor and there will not be rough edges.

Cutting:

Do not press, tilt or oscillate the tool. Work at a moderate speed. The disc should always rotate counterclockwise since there is a risk the tool shoots out uncontrolled.

To cut hard stones using a diamond cutting disc is recommended.



Useful tips

- Work placing the disc in the right position to prevent damage.
- Press the work piece applying pressure lower than the tool's weight to prevent overload damaging the motor and the disc.
- After installing a new disc allow it to run unloaded at least one minute. If vibration occurs replace immediately.

CAUTION • Avoid working on wood or soft metals like lead. These materials saturate the disc very quickly making it useless.

- Always disconnect the tool before cleaning.
- Never use water or other liquids. Use only a brush.
- To prevent the motor to overheat clean the ventilation slots regularly.
- Check all the tool components are perfectly fixed.
- The housing should not be cracked or damaged.
- Double-check the power cable is not cut or peeled.
- After a prolonged use the grease on the tool head should be replaced in a **TRUPER®** Authorized Service Center.

Repairs

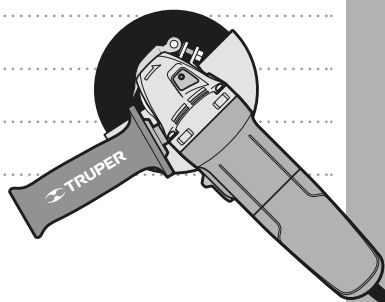
Use only spare parts and accessories recommended by the manufacturer. In the event the tool is not working, repairs should be performed in a **TRUPER®** Authorized Service Center

Carbon brush replacement

- Carbon Brushes should be periodically checked and when worn, replaced always in a **TRUPER®** Authorized Service Center.
- After replacing the carbon brushes request to inspect if the new carbon brushes can move freely in the carbon housing. Also request to run the tool 5 minutes to make even the contact with the carbon brushes and the commutator.
- Use only original **TRUPER®** spare carbons specifically designed with the hardness and resistance adequate for each type of motor. Carbons that are out of specification could damage the motor.
- Both carbons should be changed simultaneous.
- For better results, it is recommended to use grinding and/or cutting disc to 4-1/2" **TRUPER®**

Storage

Neatly store the tool in a dry place and protected from dust and water .



Authorized Service Centers

TRUPER[®]
INDUSTRIAL

In the event of any problem contacting a TRUPER Authorized Service Center, please see our webpage WWW.TRUPER.COM to get an updated list, or call our toll-free numbers **800 690-6990** or **800-018-7873** to get information about the nearest Service Center.

AGUASCALIENTES **DE TODO PARA LA CONSTRUCCIÓN**
GRAL. BARRACÁN #1201, COL. GREMIAL, C.P. 20030,
AGUASCALIENTES, AGS. TEL.: 449 994 0537

BAJA CALIFORNIA **SUCURSAL TIJUANA**
AV. LA ENCANTADA, LOTE #5, PARQUE INDUSTRIAL EL
FLORIDO II, C.P. 22244, TIJUANA, B.C.
TEL.: 664 969 5100

BAJA CALIFORNIA SUR **FIX FERRETERÍAS**
FELIPE ANGELES ESQ. RUIZ CORTÍNEZ S/N, COL. PUEBLO
NUEVO, C.P. 23670, CD. CONSTITUCIÓN, B.C.S.
TEL.: 615 152 1115

CAMPECHE **TORNILLERÍA Y FERRETERÍA AAA**
AV. ÁLVARO OBREGÓN #324, COL. ESPERANZA
C.P. 24080 CAMPECHE, CAMP. TEL.: 981 815 2808

CHIAPAS **FIX FERRETERÍAS**
AV. CENTRAL SUR #27, COL. CENTRO, C.P. 30700,
TAPACHULA, CHIS. TEL.: 962 118 4083

CHIHUAHUA **SUCURSAL CHIHUAHUA**
AV. SILVESTRE TERRAZAS #128-11, PARQUE INDUSTRIAL
BAFAR, CARRETERA MÉXICO CUAUHTÉMOC, C.P. 31415,
CHIHUAHUA, CHIH. TEL. 614 434 0052

CIUDAD DE MÉXICO **FIX FERRETERÍAS**
EL MONSTRUO DE CORREGIDORA, CORREGIDORA # 35,
COL. CENTRO, C.P. 06060, CUAUHTÉMOC, CDMX.
TEL.: 55 5522 5051 / 5522 4861

COAHUILA **SUCURSAL TORREÓN**
CALLE METAL MECÁNICA #280, PARQUE INDUSTRIAL
ORIENTE, C.P. 27278, TORREÓN, COAH.
TEL.: 871 209 68 23

COLIMA **BOMBAS Y MOTORES BYMTESA DE MANZANILLO**
BLVD. MIGUEL DE LA MADRID #190, COL. 16 DE
SEPTIEMBRE, C.P. 28239, MANZANILLO, COL.
TEL.: 314 352 1986 / 352 8013

DURANGO **TORNILLOS ÁGUILA, S.A. DE C.V.**
MAZURIO #200, COL. LUIS ECHEVERRÍA, DURANGO,
DGO. TEL.: 618 817 1946 / 618 818 2844

ESTADO DE MÉXICO **SUCURSAL CENTRO JILOTEPEC**
PARQUE INDUSTRIAL # 1, COL. PARQUE INDUSTRIAL
JILOTEPEC, JILOTEPEC, EDO. DE MÉX. C.P. 54257
TEL.: 761 782 9101 EXT. 5728 Y 5102

GUANAJUATO **ÍA. FERRETERA NUEVO MUNDO S.A. DE C.V.**
AV. MÉXICO - JAPÓN #225, CD. INDUSTRIAL, C.P. 38010,
CELAYA, GTO. TEL.: 461 617 7578 / 79 / 80 / 88

GUERRERO **CENTRO DE SERVICIO ECLIPSE**
CALLE PRINCIPAL MZ1 LT. 1, COL. SANTA FE, C.P. 39010,
CHILPANCIINGO, GRO. TEL.: 747 478 5793

HIDALGO **FERPRECIOS S.A. DE C.V.**
LIBERTAD ORIENTE #504 LOCAL 30, INTERIOR DE PASAJE
ROBLEDO, COL. CENTRO, C.P. 43600, TULANCINGO,
HGO. TEL.: 775 753 6615 / 775 753 6616

JALISCO **SUCURSAL GUADALAJARA**
AV. ADOLFO B. HORIN # 6800, COL: SANTA CRUZ DEL
VALLE, C.P.- 45653, TLAJOMULCO DE ZUÑIGA, JAL.
TEL.: 33 3606 5285 AL 90

MICHOACÁN **FIX FERRETERÍAS**
AV. PASEO DE LA REPÚBLICA #3140-A, COL.
EX-HACIENDA DE LA HUERTA, C.P. 58050, MORELIA,
MICH. TEL.: 443 334 6858

MORELOS **FIX FERRETERÍAS**
CAPITÁN ANZURES #95, ESQ. JOSÉ PERDIZ, COL.
CENTRO, C.P. 62740, CUAUHTLA, MOR.
TEL.: 755 352 8931

NAYARIT **HERRAMIENTAS DE TEPCI**
MAZATLAN #117, COL. CENTRO, C.P. 65000, TEPCI, NAY.
TEL.: 311 258 0540

NUEVO LEÓN **SUCURSAL MONTERREY**
CARRETERA LAREDO #500, 1B MONTERREY PARKS,
COLONIA PUERTA DE ANÁHUAC, C.P. 66052, ESCOBEDO,
NUEVO LEÓN, TEL.: 81 8352 8791 / 81 8352 8790

OAXACA **FIX FERRETERÍAS**
AV. 20 DE NOVIEMBRE #910, COL. CENTRO, C.P. 68300,
TUXTEPEC, OAX. TEL.: 287 106 3092

PUEBLA **SUCURSAL PUEBLA**
AV. PERIFÉRICO #2-A, SAN LORENZO ALMECATLA,
C.P. 72710, CUAUHTLACINGO, PUE.
TEL.: 222 282 8282 / 84 / 85 / 86

QUERÉTARO **ARU HERRAMIENTAS S.A. DE C.V.**
AV. PUERTO DE VERACRUZ #110, COL. RANCHO DE
ENMEDIO, C.P. 76842, SAN JUAN DEL RÍO, QRO.
TEL.: 427 268 4544

QUINTANA ROO **FIX FERRETERÍAS**
CARRETERA FEDERAL MZ. 46 LT. 3 LOCAL 2, COL. EJIDAL,
C.P. 77710 PLAYA DEL CARMEN, Q.R.
TEL.: 984 267 3140

SAN LUIS POTOSÍ **FIX FERRETERÍAS**
AV. UNIVERSIDAD #1850, COL. EL PASEO, C.P. 78320,
SAN LUIS POTOSÍ, S.L.P. TEL.: 444 822 4341

SINALOA **SUCURSAL CULIACÁN**
AV. JESÚS KUMATE SUR #4501, COL. HACIENDA DE LA
MORA, C.P. 80143, CULIACÁN, SIN.
TEL.: 667 173 9139 / 173 8400

SONORA **FIX FERRETERÍAS**
CALLE 5 DE FEBRERO #517, SUR LT. 25 MZ. 10, COL.
CENTRO, C.P. 85000, CD. OBREGÓN, SON.
TEL.: 644 413 2392

TABASCO **SUCURSAL VILLAHERMOSA**
CALLE HELIO LOTES 1, 2 Y 3 MZ. #1, COL. INDUSTRIAL,
2A ETAPA, C.P. 86010, VILLAHERMOSA, TAB.
TEL.: 993 353 7244

TAMAULIPAS **VM ORINGS Y REFACCIONES**
CALLE ROSITA #527 ENTRE 20 DE NOVIEMBRE Y GRAL.
RODRIGUEZ, FRACC. REYNOSA, C.P. 88780, REYNOSA,
TAMS. TEL.: 899 926 7552

TLAXCALA **SERVICIOS Y HERRAMIENTAS INDUSTRIALES**
PABLO SIDAR #132, COL. BARRIO DE SAN BARTOLOMÉ,
C.P. 90970, SAN PABLO DEL MONTE, TLAX.
TEL.: 222 271 7502

VERACRUZ **LA CASA DISTRIBUIDORA TRUPER**
BLVD. PRIMAVERA, ESQ. HORTENSIA S/N, COL.
PRIMAVERA, C.P. 93508, POZA RICA, VER.
TEL.: 782 823 8100 / 826 8484

YUCATÁN **SUCURSAL MÉRIDA**
CALLE 33 #600 Y 602, LOCALIDAD ITZINCAB Y MULSAV,
MPIO. UMAN, C.P. 97590, MÉRIDA, YUC.
TEL.: 999 912 2451

Code	Model	Brand
100755	ESMA-4580N-2	TRUPER® INDUSTRIAL

Warranty. Duration: 5 years. Coverage: parts, components and workmanship against manufacturing or operating defects, except if used under conditions other than normal; when it was not operated in accordance with the instructive; was altered or repaired by personnel not authorized by **TRUPER®**. To make the warranty valid, only present the product in the establishment where you bought it or in Corregidora 35, Centro, Cuauhtémoc, CDMX, 06060, where you can also purchase parts, components, consumables and accessories. The costs of transportation of the product that derive from its fulfillment of its service network are included. **TRUPER will not require any proof of purchase to make the warranty effective.** Phone number 800-018-7873. Made in China. Imported by TRUPER, S.A. de C.V. Parque Industrial 1, Parque Industrial Jilotepec, Jilotepec, Edo. de Méx. C.P. 54257, Phone number 761 782 9100.

Stamp of the business. Delivery date:





Sello del establecimiento comercial. Fecha de entrega:

Garantía. Duración: 5 años. Cobertura: piezas, componentes y mano de obra contra defectos de fabricación o funcionamiento, excepto si se usó en condiciones distintas a las normales; cuando no fue operado conforme al instructivo; fue alterado o reparado por personal no autorizado por TRUPER®. Para hacer efectiva la garantía únicamente presente el producto en el establecimiento donde lo compró o en Corregidora 35, Centro, Cuauhtémoc, CDMX, 06060, donde también podrá adquirir partes, componentes, consumibles y accesorios. Incluye los gastos de transportación del producto que deriven de su cumplimiento de su red de servicio. **TRUPER no solicitará ningún tipo de comprobante de pago para hacer efectiva la garantía.** Tel. 800-018-7873. Made in/Hecho en China. Importador **TRUPER, S.A. de C.V.** Parque Industrial 1, Parque Industrial Jilotepec, Jilotepec, Edo. de Méx. C.P. 54257, Tel. 761 782 9100.

INDUSTRIAL
TRUPER

ESMA-4580N-2

100755

Marca

Modelo

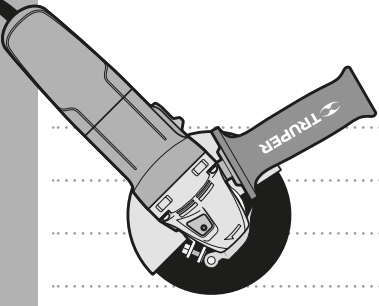
Código

Póliza de
Garantía

TRUPER
INDUSTRIAL

En caso de tener algún problema para contactar un Centro de Servicio Autorizado TRUPER consulte nuestra página WWW.TRUPER.COM donde obtendrá un listado actualizado, o llame al: 800 690 6990 u 800-018-7873 donde le informarán cuál es el Centro de Servicio más cercano.

AGUASCALIENTES	DE TODO PARA LA CONSTRUCCION GRAL. BARRAGÁN #1201, COL. GEMINAL, C.P. 20030, AGUASCALIENTES, AGS. TEL.: 449 994 0557
CALIFORNIA	SUCURSAL TIJUANA AV. LA ENCANTADA, LOTE #5, PARQUE INDUSTRIAL EL FLORIDO II, C.P. 22244, TIJUANA, B.C. TEL.: 664 969 5100
CALIFORNIA SUR	FIX FERRETERIAS FELIPE ANGELES ESQ. RUIZ CORTINEZA S/N, COL. PUEBLO NUEVO, C.P. 25670, CD. CONSTITUCIÓN, B.C.S. TEL.: 615 152 1115
CAMPECHE	TORNILLERIA Y FERRETERIA AAA AV. ALVARO ORRICO #254, COL. ESPERANZA 24080 CAMPECHE, CAMP. TEL.: 981 815 2808
CHIHUAHUA	SUCURSAL CHIHUAHUA AV. SILVESTRE TERREZAS #128-11, PARQUE INDUSTRIAL BARRA, CARRETERA MEXICO CUAHUTEMOC, C.P. 31415, CHIHUAHUA, CHIH. TEL.: 614 454 0052
CIUDAD DE MEXICO	FIX FERRETERIAS EL MONSTRUO DE CORREJIDORA, CORREJIDORA # 35, COL. CENTRO, C.P. 06060, CUAHUTEMOC, CDMX. TEL.: 55 5522 5051 / 5522 4861
COAHUILA	SUCURSAL TOREÓN CALLE METAL MECANICA #280, PARQUE INDUSTRIAL ORIENTE, C.P. 27278, TOREÓN, COAH. TEL.: 817 209 68 52
COLIMA	BOMBAS Y MOTORES BYMESA DE MANZANILLO MIGUEL DE LA MADRID #190, COL. 16 DE SEPTIEMBRE, C.P. 28259, MANZANILLO, COL. TEL.: 514 352 1986 / 352 8015
DURANGO	TORNILLOS AGUIA, S.A. DE C.V. MAGUIRO #200, COL. LUIS ECHEVERRIA, DURANGO, DGO. TEL.: 618 817 9146 / 618 818 2844
ESTADO DE MEXICO	SUCURSAL CENTRO ILOTEPEC PARQUE INDUSTRIAL # 1, COL. PARQUE INDUSTRIAL ILOTEPEC, ILOTEPEC, EDO. DE MEX. C.P. 54257 TEL.: 761 782 9101 EXT. 5728 Y 5102
GUANAJUATO	CLA. FERRETERIA NUEVO MUNDO S.A. DE C.V. AV. MEXICO - JAPON #225, CD. INDUSTRIAL, C.P. 38010, CELAYA, GTO. TEL.: 461 617 1757 / 79 / 80 / 88
GUERRERO	CENTRO DE SERVICIO ECLIPSE CALLE PRINCIPAL M21 LT. 1, COL. SANTA FE, C.P. 39010, CHILPANCIÑO, GRO. TEL.: 747 478 5793
HIDALGO	FERRETERIAS S.A. DE C.V. LIBERTAD ORIENTE #504 LOCAL 30, INTERIOR DE PASAJES ROBLED, COL. CENTRO, C.P. 43600, TULANCIÑO, HGO. TEL.: 775 753 6615 / 775 753 6616
JALISCO	SUCURSAL GUADALAJARA AV. ADOLFO B. HORN # 6800, COL. SANTA CRUZ DEL VALLE, C.P. 45655, TIRAMOLCO DE ZUNIGA, JAL. TEL.: 33 5606 5285 Y 90
MICH.	AV. PASO DE LA REPUBLICA #3140-A, COL. EX-HACIENDA DE LA HUERTA, C.P. 58050, MORELIA, MICH. TEL.: 443 534 6858
MICHOCÁN	FIX FERRETERIAS AV. PASO DE LA REPUBLICA #3140-A, COL. EX-HACIENDA DE LA HUERTA, C.P. 58050, MORELIA, MICH. TEL.: 443 534 6858
MORELOS	FIX FERRETERIAS CAPITAN ANZURES #95, ESQ. JOSÉ PERDIZ, COL. CENTRAL, C.P. 62740, CUAUTLA, MOR. TEL.: 735 352 8951
NAVARIT	HERRAMIENTAS DE TEPIC MAZILAN #117, COL. CENTRO, C.P. 63000, TEPIC, NAY. TEL.: 311 258 0540
NEWEO LEÓN	SUCURSAL MONTERREY CARRETERA LAREDO #500, 1B MONTERREY PARKS, COLONIA PUERTA DE ANAHUAC, C.P. 66052, ESCOBEDO, NUEVO LEÓN, TEL.: 81 8552 8791 / 81 8552 8790
OAXACA	FIX FERRETERIAS AV. 20 DE NOVIEMBRE #910, COL. CENTRO, C.P. 68300, TUXTEPEC, OAX. TEL.: 287 106 5092
PUEBLA	SUCURSAL PUEBLA AV. PERRIERO #72-A, SAN LORENZO ALMECATLA, C.P. 72710, CUAUTLACINGO, PUE. TEL.: 222 282 8282 / 84 / 85 / 86
QUERETARO	ARU HERRAMIENTAS S.A. DE C.V. AV. PUERTO DE VERACRUZ #110, COL. RANCHO DE ENMEDIO, C.P. 76842, SAN JUAN DEL RÍO, QRO. TEL.: 427 268 4544
QUINTANA ROO	FIX FERRETERIAS CARRETERA FEDERAL MZ. 46 LT. 3 LOCAL 2, COL. EJIDAL, C.P. 7710 PLAZA DEL CARMEN, Q.R. TEL.: 984 267 5140
SAN LUIS POTOSÍ	FIX FERRETERIAS SAN JUAN POTOSÍ, S.L.P. TEL.: 444 822 4341
SINALOA	SUCURSAL CUICUILIÁN AV. JESUS KUWATE SUR #4301, COL. HACIENDA DE LA MORA, C.P. 80145, CUICUILIÁN, SIN. TEL.: 667 175 9159 / 175 8400
SONORA	FIX FERRETERIAS CALLE 5 DE FEBRERO #517, SUR LT. 25 MZ. 10, COL. CENTRO, C.P. 85000, CD. OBREGÓN, SON. TEL.: 644 413 15292
TABASCO	SUCURSAL VILLAHERMOSA CALLE HELIO LOTES 1, 2 Y 3 MZ. #1, COL. INDUSTRIAL, ZA ETAPA, C.P. 86010, VILLAHERMOSA, TAB. TEL.: 995 353 7244
TAMAULIPAS	VM ORINOS Y REPARACIONES CALLE ROSITA #527 ENTRE 20 DE NOVIEMBRE Y GRAL. RODRIGUEZ, FRACC. REVOSA, C.P. 88780, REVOSA, TAMS. TEL.: 899 926 7552
TLAXCALA	SERVICIOS Y HERRAMIENTAS INDUSTRIALES PABLO SIDAR #132, COL. BARRIO DE SAN BARTOLOMÉ, C.P. 90970, SAN PABLO DEL MONTE, TLAX. TEL.: 222 271 7502
VERACRUZ	LA CASA DISTRIBUIDORA TRUPER BLVD. PIMAWERA, ESQ. HORTENSIA S/N, COL. PRIMAWERA, C.P. 93508, POZA RICA, VER. TEL.: 782 823 8100 / 826 8484
YUCATÁN	SUCURSAL MÉRIDA CALLE 33 #600 Y 602, LOCALIDAD ITZINGAR Y MUISAM, MPIO. UUMÁN, C.P. 97390, MÉRIDA, YUC. TEL.: 999 912 2451



A series of horizontal dotted lines for writing notes, spanning the width of the page.

Mantenimiento

Reparación

- Desconecte siempre la herramienta antes de proceder a limpiarla.
- Nunca utilice agua u otros líquidos, solamente utilice un cepillo.
- Para evitar que se sobrecaliente el motor, debe limpiar las ranuras de ventilación de manera regular.
- Revise que todos los componentes de la herramienta estén bien fijos.
- La carcasa no debe estar cuarteada o dañada.
- Siempre revise que el cable no esté cortado o pelado.
- Después de un uso prolongado la grasa de la cabeza de la herramienta debe de ser cambiada en un Centro de Servicio Autorizado **TRUPER**.

Utilice únicamente recambios y accesorios recomendados por el fabricante. En caso de que la herramienta no funcione la reparación deberá ser realizada por algún Centro de Servicio Autorizado **TRUPER**.

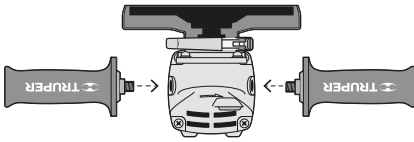
Cambio de carbones

- Los carbones deben revisarse periódicamente, y ser reemplazados siempre por un Centro de Servicio Autorizado **TRUPER** cuando se hayan desgastado.
- Después de que hayan sido reemplazados, pida que se inspeccione si los nuevos carbones pueden moverse libremente en el porta-carbón y solicite que enciendan la herramienta durante 5 minutos para emparejar el contacto de los carbones y el conmutador.
- Sólo se deben de usar carbones de repuesto originales **TRUPER**.
- Diseñados específicamente con la dureza y la resistencia eléctrica adecuadas para cada tipo de motor. Los carbones fuera de especificaciones pueden dañar el motor.
- Cuando se haga el cambio de carbones siempre deben reemplazarse los dos carbones.
- Para mejores resultados, se recomienda utilizar discos de corte y/o desbaste de 4-1/2" (115 mm) marca **TRUPER**.

Almacenamiento

Almacene la herramienta ordenadamente en un lugar seco y protegida de polvo y agua

Preparación

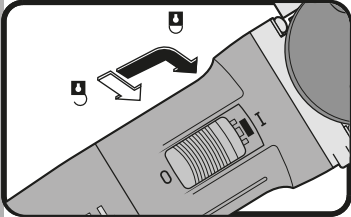


PRECAUCIÓN Antes de realizar cualquier operación, asegúrese siempre de que el mango auxiliar este instalado firmemente. Rosque el mango auxiliar en alguna de las 2 posiciones según la preferencia del operario y aplicación.

Montaje del mango auxiliar

Puesta en marcha

La esmerilladora angular es una herramienta eléctrica manual, se utiliza para esmerilar y cortar acero, tubos, hierro en ángulo, ladrillos, azulejos, piedra y/o piezas de cerámica; para quitar la rebaba de las superficies de metal; para nivelar y alisar soldaduras. Si se cambia el accesorio de la herramienta se puede utilizar para limpiar óxido y para pulir superficies de metal y otros materiales.

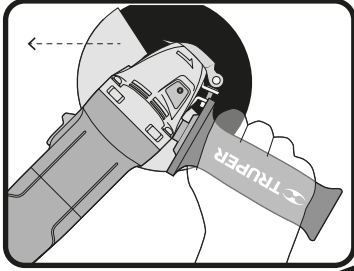
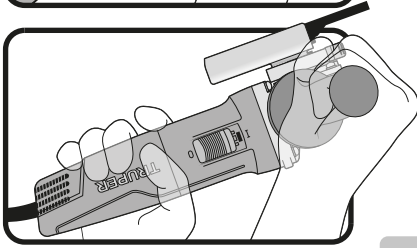


- Conecte la clavija al tomacorriente.
- Deslice el interruptor hacia adelante aplicando presión SOLAMENTE en su parte TRASERA. Cuando se reduzca la presión, el interruptor regresará a su posición original.
- Conecte la clavija al tomacorriente.
- Deslice el interruptor hacia la parte delantera de la herramienta y aprete la parte delantera del interruptor hacia abajo. Para interrumpir el funcionamiento aprete la parte trasera del interruptor y suéltela.

Operación intermitente

Cómo sujetar adecuadamente la herramienta

- Siempre sostenga la herramienta con ambas manos. Una mano sosteniendo el mango y la otra el mango auxiliar. Tenga cuidado de no obstruir las ranuras de ventilación.
- Esmerilado:
Para un mejor resultado sostenga la herramienta de 15° a 30° con respecto a la pieza de trabajo. Haga movimientos de adelante hacia atrás con una ligera presión a un ritmo constante. De esta forma la pieza de trabajo no se calienta demasiado, no se decolora y no se producen aristas.



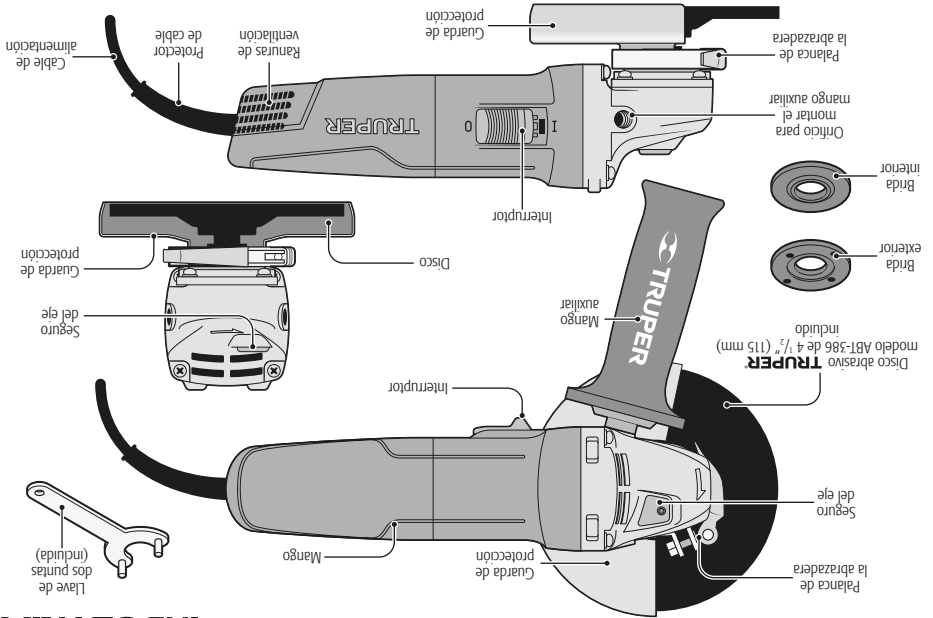
Consejos útiles

- Trabaje con el disco en la posición correcta para evitar que se dañe.
- Presione sobre la pieza de trabajo con una fuerza menor al peso de la herramienta para evitar que la sobrecarga dañe el motor y el disco.
- Después de instalar un disco nuevo permita que el disco gire sin trabajar al menos un minuto.
- Evite que este vibre reemplácelo de inmediato.
- Evite trabajar madera o metales suaves como el plomo. Pues estos materiales saturan muy rápido el disco y lo hacen inservible.

Consejos útiles

- Corte:
No presione, ladee u oscile la herramienta. Trabaje a una velocidad moderada. El disco debe girar siempre en sentido opuesto al movimiento de corte, nunca en el otro sentido, pues existe el riesgo de que la herramienta salga despedida sin control.
- Para cortar piedras duras es recomendable usar un disco de corte de diamante.

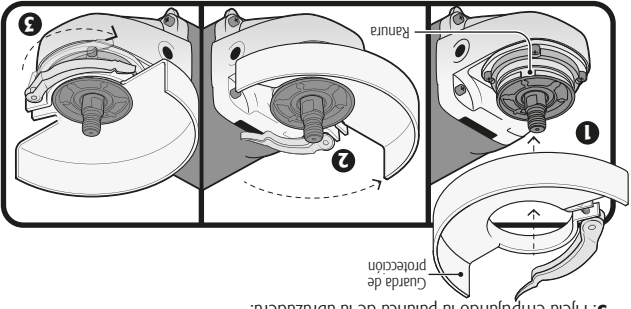
Partes



Preparación

Montaje de la guarda de protección

1. Abra la palanca de la abrazadera y haga coincidir las partes sobresalientes del interior de la abrazadera de la guarda de protección con las ranuras correspondientes de la cubierta del eje. Empuje la guarda de protección hacia abajo hasta que las partes sobresalientes enganchen y giren libremente con las ranuras correspondientes de la cubierta del eje.
2. Con la palanca de la abrazadera abierta, gire la guarda de protección hasta la posición de trabajo deseada.
3. Fijela empujando la palanca de la abrazadera.

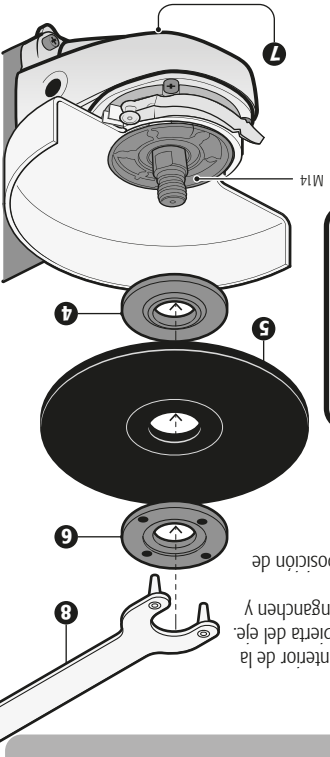


Montaje del disco

4. Fije la brida interior en el eje.
5. Coloque el disco en la brida interior.
6. Coloque la brida exterior en el eje.
7. Presione el seguro del eje en la cabeza de la esmeriladora.
8. Atornille la brida exterior con la llave de dos puntas hasta que quede bien fija.



⚠ PELIGRO El seguro del eje sólo se debe de utilizar para cambiar los discos. Nunca para frenar el disco mientras esté girando.



Advertencias de seguridad para uso de esmerilladoras



⚠ PELIGRO El contrapié (retroceso brusco)

El contrapié (retroceso brusco) es una reacción repentina al atascarse o engancharse en una rueda giratoria, respaldio, cepillo o cualquier otro accesorio. El atascarse o engancharse causa un rápido estancamiento del accesorio giratorio que a su vez hace que la herramienta eléctrica se force de forma descontrolada en la dirección opuesta a la rotación del accesorio en el punto de trabajo. Un dispositivo se atasca o engancha en la pieza de trabajo, el borde que hace contacto puede dañar en la superficie del material provocando que el disco se pare, creando un momento torsional durante el arranque. El operador puede controlar el momento torsional y las fuerzas de

contrapié (retroceso brusco). Si se toman las precauciones adecuadas; **d) Nunca colocar la mano cerca del accesorio giratorio.** Los accesorios pueden contrapiéar en la mano; **c) No colocar su cuerpo en la zona donde la herramienta eléctrica puede moverse si ocurre un contrapié (retroceso brusco).** Este impulsa la herramienta eléctrica en dirección opuesta al movimiento normal del disco en el punto de trabajo **d) Tener un cuidado especial cuando se trabaje atascamiento, bordes afilados, entre otros. Evitar el rebote y el atascamiento del accesorio.** Al trabajar las esquinas, los bordes afilados o un rebote, pueden provocar que el accesorio se atascara a causa de la pérdida de control de la herramienta eléctrica o un contrapié (retroceso brusco) de la misma.

⚠ ADVERTENCIA Seguridad para operaciones de corte

Seguridad para operaciones de corte

a) Evitar trabajar o aplicar una presión excesiva al disco de abrasiivo. Utilizar siempre

las fuerzas de contrapié (retroceso brusco). Utilizar siempre el mango auxiliar, si se proporciona, para un máximo control sobre el contrapié (retroceso brusco) o la reacción del momento torsional del motor durante el arranque. El operador puede controlar el momento torsional y las fuerzas de

contrapié (retroceso brusco). Si se toman las precauciones adecuadas; **d) Nunca colocar la mano cerca del accesorio giratorio.** Los accesorios pueden contrapiéar en la mano; **c) No colocar su cuerpo en la zona donde la herramienta eléctrica puede moverse si ocurre un contrapié (retroceso brusco).** Este impulsa la herramienta eléctrica en dirección opuesta al movimiento normal del disco en el punto de trabajo

d) Tener un cuidado especial cuando se trabaje atascamiento, bordes afilados, entre otros. Evitar el rebote y el atascamiento del accesorio. Al trabajar las esquinas, los bordes afilados o un rebote, pueden provocar que el accesorio se atascara a causa de la pérdida de control de la herramienta eléctrica o un contrapié (retroceso brusco) de la misma.

a) Utilizar únicamente tipos de discos que se recomiendan para la herramienta eléctrica y la guarda específica que se diseña para el disco seleccionado. Los discos que no se diseñan para la herramienta eléctrica no pueden protegerse de manera idónea y son inseguros; **b) La superficie de esmerillado de los discos con centro huecido, deben instalarse por debajo del plano de la guarda.** Un disco mal instalado puede provocar rebabas fuera del plano de la guarda y no puede protegerse de manera idónea; **c) La guarda debe sujetarse firmemente a la herramienta eléctrica y posicionarse para proporcionar la máxima seguridad, para que la menor cantidad del disco esté expuesta hacia el operador.** Antes de cada uso inspeccionar los accesorios. * Revise discos abrasivos para detectar daños * Revise los respaldos por grietas, desgastes o un desgaste excesivo. Después de inspeccionar e instalar el accesorio accionar la herramienta a la máxima velocidad sin carga, durante un minuto. Los accesorios con daño, generalmente se rompen durante este periodo de tiempo. No utilizar accesorios que no están específicamente diseñados y recomendados por el fabricante.

El hecho de que el accesorio pueda instalarse en la herramienta eléctrica no asegura un funcionamiento seguro. **d) Los discos deben utilizarse sólo para sus aplicaciones recomendadas. Por ejemplo: no desbastar con el lado de un disco abrasivo de corte.** Los discos abrasivos se utilizan para un esmerillado periférico, si se aplican fuerzas laterales puede romperse. **e) Utilizar siempre bridas en perfecto estado, de tamaño correcto de acuerdo con la forma del disco seleccionado.** Una brida con las características correctas soporta el disco, lo que reduce la posibilidad de ruptura del disco. Las bridas para discos de corte pueden ser diferentes de las bridas para discos de esmerillado. **f) No utilizar discos desgastados de herramientas más grandes o de mayor capacidad.** Los discos que se diseñan para herramientas más grandes o de mayor capacidad no son idóneos para el incremento de velocidad que ocurre en la operación de una herramienta de capacidad o tamaño más pequeño y pueden desintegrarse.

ADVERTENCIA Seguridad para operaciones de corte

Seguridad para operaciones de corte

a) Evitar trabajar o aplicar una presión excesiva al disco de abrasiivo. Utilizar siempre

las fuerzas de contrapié (retroceso brusco). Utilizar siempre el mango auxiliar, si se proporciona, para un máximo control sobre el contrapié (retroceso brusco) o la reacción del momento torsional del motor durante el arranque. El operador puede controlar el momento torsional y las fuerzas de

contrapié (retroceso brusco). Si se toman las precauciones adecuadas; **d) Nunca colocar la mano cerca del accesorio giratorio.** Los accesorios pueden contrapiéar en la mano; **c) No colocar su cuerpo en la zona donde la herramienta eléctrica puede moverse si ocurre un contrapié (retroceso brusco).** Este impulsa la herramienta eléctrica en dirección opuesta al movimiento normal del disco en el punto de trabajo

d) Tener un cuidado especial cuando se trabaje atascamiento, bordes afilados, entre otros. Evitar el rebote y el atascamiento del accesorio. Al trabajar las esquinas, los bordes afilados o un rebote, pueden provocar que el accesorio se atascara a causa de la pérdida de control de la herramienta eléctrica o un contrapié (retroceso brusco) de la misma.

a) Utilizar únicamente tipos de discos que se recomiendan para la herramienta eléctrica y la guarda específica que se diseña para el disco seleccionado. Los discos que no se diseñan para la herramienta eléctrica no pueden protegerse de manera idónea y son inseguros; **b) La superficie de esmerillado de los discos con centro huecido, deben instalarse por debajo del plano de la guarda.** Un disco mal instalado puede provocar rebabas fuera del plano de la guarda y no puede protegerse de manera idónea; **c) La guarda debe sujetarse firmemente a la herramienta eléctrica y posicionarse para proporcionar la máxima seguridad, para que la menor cantidad del disco esté expuesta hacia el operador.** Antes de cada uso inspeccionar los accesorios. * Revise discos abrasivos para detectar daños * Revise los respaldos por grietas, desgastes o un desgaste excesivo. Después de inspeccionar e instalar el accesorio accionar la herramienta a la máxima velocidad sin carga, durante un minuto. Los accesorios con daño, generalmente se rompen durante este periodo de tiempo. No utilizar accesorios que no están específicamente diseñados y recomendados por el fabricante.

El disco abrasivo de corte que sobresale puede cortar tuberías de gas o agua, cableado eléctrico o de objetos que pueden causar un contrapié (retroceso brusco).

El disco abrasivo de corte que sobresale puede cortar tuberías de gas o agua, cableado eléctrico o de objetos que pueden causar un contrapié (retroceso brusco).

Esta herramienta eléctrica está diseñada a funcionar con una herramienta de corte. Leer todas las advertencias de seguridad e instrucciones antes de utilizarla. No se siguen las instrucciones señaladas a continuación puede provocar un choque eléctrico, incendios y/o lesiones graves.

Elija el disco apropiado

- **ATENCIÓN** • Nunca debe usarse un disco cuyo diámetro sea mayor que el tamaño que le corresponda a la herramienta.
- **ADVERTENCIA** • Utilice únicamente discos o accesorios para velocidad mayores o iguales a 11 000 r/min

La velocidad asignada del accesorio debe ser la misma que la velocidad máxima marcada en la herramienta.

Los accesorios que funcionan más rápido de su velocidad asignada pueden tomarse y desprenderse.

- **ATENCIÓN** • Utilice únicamente discos o accesorios con el orificio correspondiente al eje de la herramienta.
- **ATENCIÓN** • Utilice únicamente discos o accesorios específicos para el material a trabajar.

Antes de operar la esmeriladora

- Tómese su tiempo para evaluar el trabajo a realizar y asegúrese de haber respaldado todas las precauciones necesarias antes de comenzar a esmerilar.

- **PELIGRO** • Remueva cualquier llave de ajuste de la herramienta. Le lo contrario pueden ser lanzadas con fuerza y provocar daños al operador.

- **ADVERTENCIA** • Revise que la guarda del disco esté en buen estado y que éste bien ajustada. No se debe usar la herramienta sin la guarda. Los fragmentos de las piezas de trabajo o un accesorio todo pueden desprenderse y causar daño más allá del área inmediata de operación.

- **ATENCIÓN** • Verifique que el disco no esté roto o cuarteado. Cierre ligeramente con un martillo de madera, el sentido que emite le indicará si está cuarteado.

- **PELIGRO** • Asegúrese que el interruptor esté apagado (Ver pag. 8, Encendido) antes de conectar la herramienta, de lo contrario ésta comenzará a funcionar inesperadamente.

- **ATENCIÓN** • Encienda la herramienta 30 segundos antes de utilizarla para detectar vibraciones considerables o cualquier tipo de movimiento inusual. De ser detectados desconecte la herramienta y acuda a un Centro de Servicio Autorizado TRUPER.

- **ATENCIÓN** • Verifique que el disco gire libremente. No apriete demasiado el disco, de lo contrario podría romperse.

- **ADVERTENCIA** • Para trabajar piezas pequeñas fijelas con mordazas o abrazaderas. Nunca use las manos para tal fin. Mantener a las personas presentes a una distancia segura del área de trabajo. Cualquiera que entre en la zona de trabajo debe utilizar equipo de protección personal.

Mientras opera la esmeriladora

- **ATENCIÓN** • No encienda la herramienta cuando el disco esté en contacto con la pieza de trabajo.

- **ADVERTENCIA** • Operaciones para la cual no está diseñada esta herramienta eléctrica puede provocar un accidente y causar lesiones personales. No se recomienda usar en operaciones tales como, lijado, cepillado, pulido con esta herramienta eléctrica. No utilice accesorios y que no están específicamente recomendados por el fabricante.

- **ADVERTENCIA** • Para trabajar piezas pequeñas fijelas con mordazas o abrazaderas. Nunca use las manos para tal fin. Mantener a las personas presentes a una distancia segura del área de trabajo. Cualquiera que entre en la zona de trabajo debe utilizar equipo de protección personal.

- **ADVERTENCIA** • Para trabajar piezas pequeñas fijelas con mordazas o abrazaderas. Nunca use las manos para tal fin. Mantener a las personas presentes a una distancia segura del área de trabajo. Cualquiera que entre en la zona de trabajo debe utilizar equipo de protección personal.

- **ADVERTENCIA** • Para trabajar piezas pequeñas fijelas con mordazas o abrazaderas. Nunca use las manos para tal fin. Mantener a las personas presentes a una distancia segura del área de trabajo. Cualquiera que entre en la zona de trabajo debe utilizar equipo de protección personal.

- **ADVERTENCIA** • Para trabajar piezas pequeñas fijelas con mordazas o abrazaderas. Nunca use las manos para tal fin. Mantener a las personas presentes a una distancia segura del área de trabajo. Cualquiera que entre en la zona de trabajo debe utilizar equipo de protección personal.

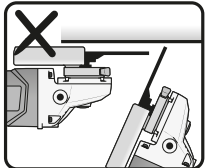
- **ADVERTENCIA** • Para trabajar piezas pequeñas fijelas con mordazas o abrazaderas. Nunca use las manos para tal fin. Mantener a las personas presentes a una distancia segura del área de trabajo. Cualquiera que entre en la zona de trabajo debe utilizar equipo de protección personal.

- **ADVERTENCIA** • Para trabajar piezas pequeñas fijelas con mordazas o abrazaderas. Nunca use las manos para tal fin. Mantener a las personas presentes a una distancia segura del área de trabajo. Cualquiera que entre en la zona de trabajo debe utilizar equipo de protección personal.

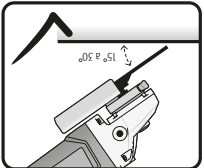
- **ADVERTENCIA** • Para trabajar piezas pequeñas fijelas con mordazas o abrazaderas. Nunca use las manos para tal fin. Mantener a las personas presentes a una distancia segura del área de trabajo. Cualquiera que entre en la zona de trabajo debe utilizar equipo de protección personal.

- **ADVERTENCIA** • Para trabajar piezas pequeñas fijelas con mordazas o abrazaderas. Nunca use las manos para tal fin. Mantener a las personas presentes a una distancia segura del área de trabajo. Cualquiera que entre en la zona de trabajo debe utilizar equipo de protección personal.

- **ADVERTENCIA** • Para trabajar piezas pequeñas fijelas con mordazas o abrazaderas. Nunca use las manos para tal fin. Mantener a las personas presentes a una distancia segura del área de trabajo. Cualquiera que entre en la zona de trabajo debe utilizar equipo de protección personal.



forma incorrecta de operar la esmeriladora



forma correcta de operar la esmeriladora

- **PELIGRO** • No colocar un disco de sierra para trabajo en maderes o una cuchilla dentada. Tales cuchillas crean contrapicos (retrocosos bruscos) frecuentes y pérdida de control.

- **ADVERTENCIA** • Utilice lentes de seguridad, guantes y mandil cuando opere la herramienta.

- **ADVERTENCIA** • Mantenga el cable o la extensión por detrás de la herramienta para evitar dañosos accidentalmente con el disco. Si se pierde el control de la herramienta eléctrica, el cable puede cortarse o enredar y el brazo o la mano del operador puede lastimarse hacia el accesorio giratorio.

- **ADVERTENCIA** • Nunca sostenga la herramienta por el cable de alimentación, sostengala del cuerpo o por el mango auxiliar.

- **ADVERTENCIA** • Sostenga la herramienta por las partes de agarre aisladas cuando lleve a cabo operaciones en las que exista el riesgo de que la herramienta de corte pueda entrar en contacto con el cableado oculto o su propio cable. El contacto con un cable "vivo" hará que las partes expuestas de metal se electrifiquen y den una descarga eléctrica al operador.

- **ADVERTENCIA** • Nunca soltar la herramienta eléctrica hasta que el accesorio se detenga completamente.

- **ADVERTENCIA** • Nunca gire la superficie de trabajo con el disco. Para obtener un buen resultado durante el proceso de esmerillado, la inclinación entre el disco y la superficie de trabajo debe tener un ángulo de 15° a 30°.

- **PELIGRO** • Cuando el disco esté girando no se debe utilizar el seguro del eje para frenarlo, ya que es muy peligroso y puede ocasionar lesiones al usuario.

- **ADVERTENCIA** • No toque el disco ni la pieza de trabajo inmediatamente después de esmerillar. Espere a que se enfríen para manipularlas. No intente enfriarlas con agua o aceite.

- **ADVERTENCIA** • Verifique que la herramienta esté desconectada antes de revisar, ajustar o cambiar el disco. Inflamables. • No opere la herramienta mientras la transporta a su lado.

- **ADVERTENCIA** • Las chipsas que provoca el esmerillado pueden resultar un peligro si no se toman las medidas adecuadas. Asegúrese de que no entere en contacto con la piel o sustancias inflamables. • Limpiar gradualmente las rejillas de ventilación de la herramienta. El ventilador del motor dirección el polvo a el interior de la carcasa y la acumulación excesiva de polvo metálico puede provocar un riesgo eléctrico. • No utilice accesorios que requieren refrigerantes líquidos. El uso de agua u otros refrigerantes líquidos pueden resultar en un choque eléctrico.

- **ADVERTENCIA** • Operaciones para la cual no está diseñada esta herramienta eléctrica puede provocar un accidente y causar lesiones personales. No se recomienda usar en operaciones tales como, lijado, cepillado, pulido con esta herramienta eléctrica. No utilice accesorios y que no están específicamente recomendados por el fabricante.

- **ADVERTENCIA** • Operaciones para la cual no está diseñada esta herramienta eléctrica puede provocar un accidente y causar lesiones personales. No se recomienda usar en operaciones tales como, lijado, cepillado, pulido con esta herramienta eléctrica. No utilice accesorios y que no están específicamente recomendados por el fabricante.

- **ADVERTENCIA** • Operaciones para la cual no está diseñada esta herramienta eléctrica puede provocar un accidente y causar lesiones personales. No se recomienda usar en operaciones tales como, lijado, cepillado, pulido con esta herramienta eléctrica. No utilice accesorios y que no están específicamente recomendados por el fabricante.

- **ADVERTENCIA** • Operaciones para la cual no está diseñada esta herramienta eléctrica puede provocar un accidente y causar lesiones personales. No se recomienda usar en operaciones tales como, lijado, cepillado, pulido con esta herramienta eléctrica. No utilice accesorios y que no están específicamente recomendados por el fabricante.

- **ADVERTENCIA** • Operaciones para la cual no está diseñada esta herramienta eléctrica puede provocar un accidente y causar lesiones personales. No se recomienda usar en operaciones tales como, lijado, cepillado, pulido con esta herramienta eléctrica. No utilice accesorios y que no están específicamente recomendados por el fabricante.

- **ADVERTENCIA** • Operaciones para la cual no está diseñada esta herramienta eléctrica puede provocar un accidente y causar lesiones personales. No se recomienda usar en operaciones tales como, lijado, cepillado, pulido con esta herramienta eléctrica. No utilice accesorios y que no están específicamente recomendados por el fabricante.

- **ADVERTENCIA** • Operaciones para la cual no está diseñada esta herramienta eléctrica puede provocar un accidente y causar lesiones personales. No se recomienda usar en operaciones tales como, lijado, cepillado, pulido con esta herramienta eléctrica. No utilice accesorios y que no están específicamente recomendados por el fabricante.

- **ADVERTENCIA** • Operaciones para la cual no está diseñada esta herramienta eléctrica puede provocar un accidente y causar lesiones personales. No se recomienda usar en operaciones tales como, lijado, cepillado, pulido con esta herramienta eléctrica. No utilice accesorios y que no están específicamente recomendados por el fabricante.

- **ADVERTENCIA** • Operaciones para la cual no está diseñada esta herramienta eléctrica puede provocar un accidente y causar lesiones personales. No se recomienda usar en operaciones tales como, lijado, cepillado, pulido con esta herramienta eléctrica. No utilice accesorios y que no están específicamente recomendados por el fabricante.

- **ADVERTENCIA** • Operaciones para la cual no está diseñada esta herramienta eléctrica puede provocar un accidente y causar lesiones personales. No se recomienda usar en operaciones tales como, lijado, cepillado, pulido con esta herramienta eléctrica. No utilice accesorios y que no están específicamente recomendados por el fabricante.

- **ADVERTENCIA** • Operaciones para la cual no está diseñada esta herramienta eléctrica puede provocar un accidente y causar lesiones personales. No se recomienda usar en operaciones tales como, lijado, cepillado, pulido con esta herramienta eléctrica. No utilice accesorios y que no están específicamente recomendados por el fabricante.

- **ADVERTENCIA** • Operaciones para la cual no está diseñada esta herramienta eléctrica puede provocar un accidente y causar lesiones personales. No se recomienda usar en operaciones tales como, lijado, cepillado, pulido con esta herramienta eléctrica. No utilice accesorios y que no están específicamente recomendados por el fabricante.

- **ADVERTENCIA** • Operaciones para la cual no está diseñada esta herramienta eléctrica puede provocar un accidente y causar lesiones personales. No se recomienda usar en operaciones tales como, lijado, cepillado, pulido con esta herramienta eléctrica. No utilice accesorios y que no están específicamente recomendados por el fabricante.

- **ADVERTENCIA** • Operaciones para la cual no está diseñada esta herramienta eléctrica puede provocar un accidente y causar lesiones personales. No se recomienda usar en operaciones tales como, lijado, cepillado, pulido con esta herramienta eléctrica. No utilice accesorios y que no están específicamente recomendados por el fabricante.

- **ADVERTENCIA** • Operaciones para la cual no está diseñada esta herramienta eléctrica puede provocar un accidente y causar lesiones personales. No se recomienda usar en operaciones tales como, lijado, cepillado, pulido con esta herramienta eléctrica. No utilice accesorios y que no están específicamente recomendados por el fabricante.

- **ADVERTENCIA** • Operaciones para la cual no está diseñada esta herramienta eléctrica puede provocar un accidente y causar lesiones personales. No se recomienda usar en operaciones tales como, lijado, cepillado, pulido con esta herramienta eléctrica. No utilice accesorios y que no están específicamente recomendados por el fabricante.

- **ADVERTENCIA** • Operaciones para la cual no está diseñada esta herramienta eléctrica puede provocar un accidente y causar lesiones personales. No se recomienda usar en operaciones tales como, lijado, cepillado, pulido con esta herramienta eléctrica. No utilice accesorios y que no están específicamente recomendados por el fabricante.



Evite arranques accidentales. Asegúrese de que el interruptor de alimentación y/o a la batería o transportar la herramienta. Transportar herramientas eléctricas con el dedo sobre el interruptor o conectar herramientas eléctricas que tienen el interruptor en posición de "encendido" puede causar accidentes.



Use equipo de seguridad. Use siempre protección para los ojos. El uso de equipo de seguridad como lentes de seguridad, mascarilla antipolvo, zapatos antiestaticos, casco y protección para los oídos en condiciones apropiadas, reduce de manera significativa los datos personales.

Esté alerta, vigile lo que está haciendo y use el sentido común cuando maneje una herramienta. No la use si está cansado o bajo la influencia de drogas, alcohol o medicamentos. Un momento de distracción mientras maneja la herramienta puede causar un daño personal. Use siempre protección para los ojos.

Si el uso de la herramienta en un lugar húmedo es inevitable, use una alimentación protegida por un interruptor de circuito de falla a tierra (GFCI). El uso de un GFCI reduce el riesgo de choque eléctrico.

Cuando maneje una herramienta en exteriores, use una extensión espacial para usos en exteriores. El uso de una extensión adecuada para exteriores reduce el riesgo de choque eléctrico.

No fuerce el cable. Nunca use el cable para transportar, levantar o desconectar la herramienta. Mantenga el cable de los cables dañados o entredados aumentan el riesgo de choque eléctrico.

No exponga la herramienta a la lluvia o condiciones de humedad. El agua que ingresa en la herramienta aumenta el riesgo de choque eléctrico. Hay un mayor riesgo de choque eléctrico si el cuerpo está puesto a tierra.

Evite el contacto del cuerpo con superficies puestas a tierra como tuberías, radiadores, cocinas eléctricas y refrigeradores. Evite el contacto del cuerpo con superficies puestas a tierra como tuberías, radiadores y enchufes aumentan el riesgo de choque eléctrico.

La clavija de la herramienta debe coincidir con el tomacorriente. Nunca modifique una clavija. No use ningún tipo de adaptador para clavijas de herramientas puestas a tierra. Clavijas modificadas y enchufes diferentes aumentan el riesgo de choque eléctrico.

Mantenga alejados a los niños y curiosos cuando opere la herramienta. Las distracciones pueden hacer que pierda el control. No presente la herramienta en ambientes expuestos, como en presencia de líquido, gas o polvo inflamables. Las herramientas eléctricas producen chispas que pueden encender material inflamable.

Mantenga el área de trabajo limpia y bien iluminada. Las áreas desordenadas y oscuras son propensas a accidentes. Retire cualquier llave o herramienta de ajuste antes de arrancar la herramienta eléctrica.

Las áreas desordenadas y oscuras son propensas a accidentes. Retire cualquier llave o herramienta de ajuste antes de arrancar la herramienta eléctrica.

Existen a continuación. La omisión de alguna de ellas puede dar como resultado un choque eléctrico, incendio y/o daño serio. Conserve las advertencias y las instrucciones para futuras referencias.

Existen a continuación. La omisión de alguna de ellas puede dar como resultado un choque eléctrico, incendio y/o daño serio. Conserve las advertencias y las instrucciones para futuras referencias.

Advertencias generales de seguridad para herramientas eléctricas

Retire cualquier llave o herramienta de ajuste antes de arrancar la herramienta eléctrica.

Las llaves o herramientas que quedan en las partes rotativas de la herramienta pueden causar un daño personal. No sobrepase su campo de acción. Mantenga ambos pies bien asentados sobre el suelo y conserve el equilibrio en todo momento. Esto permite un mejor control de la herramienta en situaciones inesperadas.

Vista adecuadamente. No vista ropa suelta o joyas. Mantenga su pelo, su ropa y guantes alejados de las piezas en movimiento. La ropa suelta, joyas o cabello largo pueden quedar atrapados en las piezas en movimiento.

En caso de contar con dispositivos de extracción y recolección de polvo conectados a la herramienta, verifique sus conexiones y úselos correctamente. El uso de estos dispositivos reduce los riesgos relacionados con el polvo.

Use y cuidados de la herramienta. No fuerce la herramienta. Use la herramienta adecuada para el trabajo a realizar. La herramienta adecuada hace un trabajo mejor y más seguro cuando se usa al ritmo para el que fue diseñada.

No use la herramienta si el interruptor no funciona. Cualquier herramienta eléctrica que no pueda encenderse o apagarse es peligrosa y debe repararse antes de ser operada. Descargue la herramienta de la fuente de alimentación y/o de la batería antes de efectuar cualquier ajuste, cambiar accesorios o alimentarla. Estas medidas reducen el riesgo de arrancar la herramienta accidentalmente.

Almacene las herramientas fuera del alcance de los niños y no permita su manejo por personas no familiarizadas con las herramientas o con las instrucciones. Las herramientas eléctricas son peligrosas en manos no entrenadas. Déle mantenimiento a la herramienta. Compruebe que las partes móviles no estén desalineadas o trabadas, que no haya piezas rotas u otras condiciones que puedan afectar su operación. Repare cualquier daño antes de usar la herramienta. Mundos accidentados son causados por el escaso mantenimiento de las herramientas.

Mantenga los accesorios de corte afilados y limpios. Trabese y más fáciles de controlar. Use la herramienta, sus componentes y accesorios de acuerdo con estas instrucciones y de la manera prevista para el tipo de herramienta, en condiciones de trabajo adecuadas. El uso de la herramienta para aplicaciones diferentes para las que está diseñada podría causar una situación de peligro.

Repare la herramienta en un Centro de Servicio Autorizado TRUPER cuando sólo piezas de repuesto idénticas. Para mantener la seguridad de la herramienta.

Repare la herramienta en un Centro de Servicio Autorizado TRUPER cuando sólo piezas de repuesto idénticas. Para mantener la seguridad de la herramienta.

ESMA-4580N-2

Código	100755
Descripción	Esmeriladora angular
Discos	4 1/2" (115 mm)
Tensión	220 V ~
Frecuencia	50 Hz / 60 Hz
Corriente	3.3 A
Potencia	850 W
Velocidad	11 000 r/min
Ciclo de trabajo	50 minutos de trabajo por 20 minutos de descanso. Máximo 6 horas diarias.
Conductores	H05RN-F 2X0.75 mm ²
Aislamiento	Clase II
Grado IP	IP20

El cable de alimentación tiene sujeta-cables tipo: Y

La clase de construcción de la herramienta es: Aislamiento reforzado.

La clase de aislamiento térmico de los devanados del motor: Clase E

ADVERTENCIA

Si el cable de alimentación se daña, éste debe ser reemplazado por el fabricante o Centro de Servicio Autorizado **TRUPER**, con el fin de evitar algún riesgo de descarga o accidente considerable.

La construcción del aislamiento eléctrico de esta herramienta es alterada por salpicaduras o

derramamiento de líquidos durante su operación. No la exponga a la lluvia, líquidos y/o humedad.

ADVERTENCIA

Antes de obtener acceso a las terminales, todos los circuitos de alimentación deben ser desconectados.



Requerimientos eléctricos

ADVERTENCIA

Las herramientas de doble aislamiento y aislamiento reforzado eliminan la necesidad de un cable de corriente de tres partes con

conexión a tierra o de un sistema de corriente eléctrica con conexión a tierra.



ADVERTENCIA

Al usar un cable de extensión, asegúrese de usar el

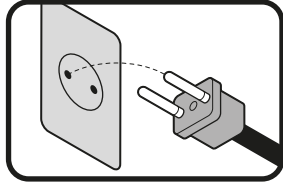
cable suficiente para transportar la corriente que consumirá su herramienta.

Un cable de un calibre inferior ocasionará caídas de tensión en la línea,

teniendo como resultado pérdida de potencia y sobrecalentamiento del motor.

La siguiente tabla muestra el tamaño correcto que debe usarse dependiendo de la longitud del cable y de la capacidad de

ampères indicada en la placa de datos de la herramienta. Si tiene dudas use el siguiente calibre más alto.



Capacidad en
Amperes

Número de
conductores

Calibre de extensión

de 0 A hasta 10 A

de 10 A hasta 13 A

de 13 A hasta 20 A

3 (uno a tierra)

18 AWG(*)

16 AWG

8 AWG

16 AWG

14 AWG

6 AWG

de 1.8 m a 15 m | mayor de 15 m

* Se permite utilizar siempre y cuando las extensiones mismas cuenten con un artefacto de protección contra sobrecorriente. AWG = Calibre de alambre estadounidense (American Wire Gauge). Referencia: NMX-F-195-AWG.

Recomendaciones de uso y cuidados


12	Póliza de Garantía.
11	Centros de Servicio Autorizados.
10	Notas.
9	Mantenimiento.
8	Puesta en marcha.
7	Preparación.
7	Partes.
5	Advertencias de Seguridad para uso de esmeriladoras 
4	Advertencias generales de seguridad para herramientas eléctricas 
3	Requerimientos eléctricos.
3	Especificaciones técnicas.


Para poder sacar el máximo provecho de la herramienta, hacer válida la garantía en caso de ser necesario y evitar riesgos o lesiones graves, es fundamental leer este instructivo por completo antes de usar la herramienta.



Guarde este instructivo para futuras referencias. Los gráficos de este instructivo son para referencia, pueden variar del aspecto real de la herramienta.


ATENCIÓN

 **PARA PROLONGAR LA VIDA DE SU HERRAMIENTA, LIMPIE CON AIRE COMPRIMIDO (SOPLETEAR), DESPUÉS DE CADA USO.**

 **NUNCA EXCEDA EL CICLO DE TRABAJO** 50 min de trabajo por 20 min de descanso. Máximo diario 6 horas. 

 **NUNCA** use el cable para transportar, levantar o desconectar la herramienta.

 **NUNCA** apriete el botón de bloqueo cuando esté girando el disco. 

 Realice **MANTENIMIENTO** periódico a su máquina (página 9).



Lea este instructivo por completo antes de usar la herramienta.



ATENCIÓN

ESMA-4580N-2



Este Instructivo es para:
Código 100755
Modelo ESMA-4580N-2

Instructivo de
Esmaladora angular

850 W Potencia
4 1/2" Disco
115 mm