

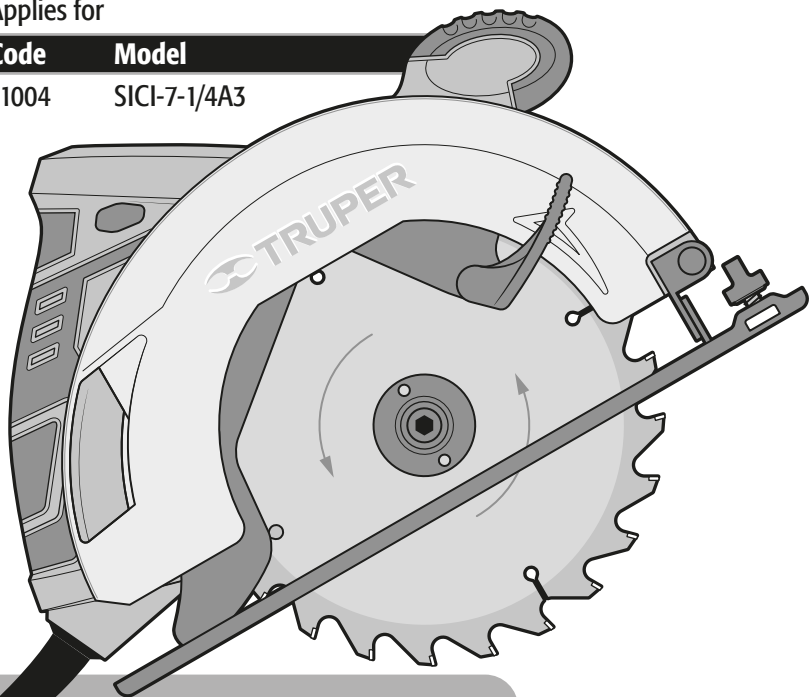
Manual

# Circular saw

**2 1/3 Hp**    **7-1/4"**  
Power                      Disc

Applies for

| Code  | Model        |
|-------|--------------|
| 11004 | SICI-7-1/4A3 |





# SICI-7-1/4A3

 **CAUTION**



Read this manual thoroughly  
before using the tool.



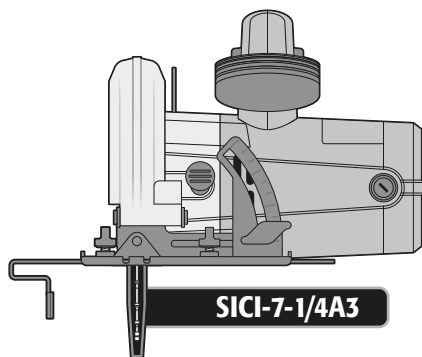
|  |           |
|--|-----------|
| Technical Data .....   | <b>3</b>  |
| Power Requirements .....   | <b>3</b>  |
|  General power tool safety warnings ..... | <b>4</b>  |
|  Safety warnings for circular saws .....  | <b>5</b>  |
| Parts .....  | <b>7</b>  |
| Assembly .....   | <b>8</b>  |
| Start Up .....   | <b>8</b>  |
| Maintenance .....  | <b>10</b> |
| Authorized Service Centers .....   | <b>11</b> |
| Warranty Policy .....  | <b>12</b> |

** CAUTION**

To gain the best performance of the tool, prolong the duty life, make the Warranty valid if necessary, and to avoid hazards of fatal injuries please read and understand this manual before using the tool.

Keep this manual for future references.

The illustrations in this manual are for reference only. They might be different from the real tool.



## SICI-7-1/4A3

|                   |             |  |
|-------------------|-------------|--|
| Code              | •           | 11004  |
| Description       | •           | Circular saw   |
| Disc              | •           | 7-1/4"   |
| Maximum cut depth | •           | at 90°: 2 1/2" (65 mm)   at 45°: 1 3/4" (45 mm)                  |
| Voltage           | •           | 127 V~   |
| Frequency         | •           | 60 Hz  |
| Current           | •           | 13 A   |
| Power             | •           | 2 1/3 Hp   |
| Speed             | • 5 500 RPM | Thread size • 5/16 X 20 UN                                       |
| Duty cycle        | •           | 30 minutes work per 15 minutes idle.<br>Maximum 3 hours per day. |
| Conductors        | •           | 16 AWG x 2C with insulating temperature of 221 °F                |
| Insulating        | • Class II  | IP Grade • IP20  |

Power Cord Grips used in this product: Type Y.  
Tool Build Quality: Double insulation.  
Thermal insulation on motor winding: Class E.

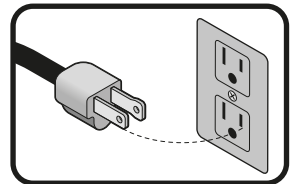
**⚠ WARNING** Avoid the risk of electric shock or severe injury. When the power cable gets damaged it should only be replaced by the manufacturer or at a TRUPER Authorized Service Center. The build quality of the electric insulation is altered if spills or liquid gets into the tool while in use. Do not expose to rain, liquids and/or dampness.



**⚠ WARNING** Before gaining access to the terminals all power sources should be disconnected.

## Power Requirements

**⚠ WARNING** Tools with double insulation and reinforced insulation are equipped with a polarized plug (one prong is wider than the other). This plug will only fit in the right way into a polarized outlet. If the plug cannot be introduced into the outlet, reverse the plug. If it still doesn't fit, call a qualified electrician to install for you a polarized outlet. Do not alter the plug in any way. Both insulation types eliminate the need of both a grounded third power cord with three prongs or a grounded power connection.



**⚠ WARNING** When using an extension cable, verify the gauge is enough for the power that your product needs. A lower gauge cable will cause voltage drop in the line, resulting in power loss and overheating. The following table shows the right size to use depending on cable's length and the ampere capability shown in the tool's nameplate. When in doubt use the next higher gauge.

| Ampere Capacity          | Number of Conductors | Extension gauge    |                   |
|--------------------------|----------------------|--------------------|-------------------|
|                          |                      | from 5.9' to 49.2' | higher than 49.2' |
| from 0 A and up to 10 A  | 3 (one grounded)     | 18 AWG(*)          | 16 AWG            |
| from 10 A and up to 13 A |                      | 16 AWG             | 14 AWG            |
| from 13 A and up to 15 A |                      | 14 AWG             | 12 AWG            |
| from 15 A and up to 20 A |                      | 8 AWG              | 6 AWG             |

\* It is safe to use only if the extensions have a built-in artifact for over current protection.

AWG = American Wire Gauge. Reference: NMX-J-195-ANCE

**⚠ WARNING** When operating power tools outdoors, use a VOLTECK grounded extension cable labeled "For Outdoors Use". These extensions are specially designed for operating outdoors and reduce the risk of electric shock.



**⚠ WARNING! Read carefully all safety warnings and instructions listed below.** Failure to comply with any of these warnings may result in electric shock, fire and / or severe damage. **Save all warnings and instructions for future references.**

### Work area

**Keep your work area clean, and well lit.**

Cluttered and dark areas may cause accidents.



**Never use the tool in explosive atmospheres, such as in the presence of flammable liquids, gases or dust.**

Sparks generated by power tools may ignite the flammable material.



**Keep children and bystanders at a safe distance while operating the tool.**

Distractions may cause losing control.



### Electrical Safety

**The tool plug must match the power outlet. Never modify the plug in any way. Do not use any adapter plugs with grounded power tools.**

Modified plugs and different power outlets increase the risk of electric shock.



**Avoid body contact with grounded surfaces, such as pipes, radiators, electric ranges and refrigerators.**

The risk of electric shock increases if your body is grounded.

**Do not expose the tool to rain or wet conditions.**

Water entering into the tool increases the risk of electric shock.

**Do not force the cord. Never use the cord to carry, lift or unplug the tool. Keep the cord away from heat, oil, sharp edges or moving parts.**

Damaged or entangled cords increase the risk of electric shock.

**When operating a tool outdoors, use an extension cord suitable for outdoor use.**

Using an adequate outdoor extension cord reduces the risk of electric shock.

**If operating the tool in a damp location cannot be avoided, use a ground fault circuit interrupter (GFCI) protected supply.**

Using a GFCI reduces the risk of electric shock.

### Personal safety

**Stay alert, watch what you are doing and use common sense when operating a tool. Do not use a power tool while you are tired or under the influence of drugs, alcohol or medication.**

A moment of distraction while operating the tool may result in personal injury.

**Use personal protective equipment. Always wear eye protection.**

Protective equipment such as safety glasses, anti-dust mask, non-skid shoes, hard hats and hearing protection used in the right conditions significantly reduce personal injury.



**Prevent unintentional starting up. Ensure the switch is in the "OFF" position before connecting into the power source and / or battery as well as when carrying the tool.**

Transporting power tools with the finger on the switch or connecting power tools with the switch in the "ON" position may cause accidents.

**Remove any wrench or vice before turning the power tool on.**

Wrenches or vices left attached to rotating parts of the tool may result in personal injury.

**Do not overreach. Keep proper footing and balance at all times.**

This enables a better control on the tool during unexpected situations.

**Dress properly. Do not wear loose clothing or jewelry. Keep hair, clothes and gloves away from the moving parts.**

Loose clothes or long hair may get caught in moving parts.



**If you have dust extraction and recollection devices connected onto the tool, inspect their connections and use them correctly.**  
Using these devices reduce dust-related risks.

### Power Tools Use and Care

**Do not force the tool. Use the adequate tool for your application.**

The correct tool delivers a better and safer job at the rate for which it was designed.



**Do not use the tool if the switch is not working properly.**

Any power tool that cannot be turned ON or OFF is dangerous and should be repaired before operating.

**Disconnect the tool from the power source and / or battery before making any adjustments, changing accessories or storing.**

These measures reduce the risk of accidentally starting the tool.

**Store tools out of the reach of children. Do not allow persons that are not familiar with the tool or its instructions to operate the tool.**

Power tools are dangerous in the hands of untrained users.



**Service the tool. Check the mobile parts are not misaligned or stuck. There should not be broken parts or other conditions that may affect its operation. Repair any damage before using the tool.**

Most accidents are caused due to poor maintenance to the tools.



**Keep the cutting accessories sharp and clean.**

Cutting accessories in good working conditions are less likely to bind and are easier to control.

**Use the tool, components and accessories in accordance with these instructions and the projected way to use it for the type of tool when in adequate working conditions.**

Using the tool for applications different from those it was designed for, could result in a hazardous situation.

### Service

**Repair the tool in a TRUPER Authorized Service Center using only identical spare parts.**

This will ensure that the safety of the power tool is maintained.



This tool is in compliance with the Official Mexican Standard (NOM - Norma Oficial Mexicana).

## Kickback

Kickback is the sudden and strong movement the tool experiences outwards from the work piece that can lead the operator to lose control or even cause him injuries. Usually this happens when the cutting disc is stuck into the piece or due to an inefficient operation. To avoid kickback the following caution measures should be used:

- Use perfectly maintained cutting discs. Double-check discs are properly mounted. Badly mounted, bent, damaged discs or with worn or dull teeth have a tendency to get stuck into the material causing kickback.
- When operating the tool, hold it firmly setting one hand on the handle and the other hand on the auxiliary handle. Always use both hands. Keep good balance and footing to be able to resist the force of possible kickback.
- To make cuts align the disc with the cut axle and wait for the disc to reach its highest speed before starting to cut. Do not try to cut setting the disc teeth on top of the work piece. It could cause kickback.
- To restart working inside the cut, center the disc into the cut and double-check the discs are not buried into the material.
- If while operating the tool you notice the disc is bending or the cut is interrupted, release the switch and hold the tool inside the work piece until the disc comes to a complete stop. Do not try to remove the disc while still moving. This could cause kickback.
- To minimize the risk of having the disc stuck and cause kickback, before cutting a wood piece remove all the nails. Damp, warped wood or chipboard needs special attention during the cut. When using large wood planks use supports close to both sides of the cutting line to avoid the plank to warp, close the cut and trap the disc. Wood resin and gum hardened on the disc make the saw run slow. Use resin and gum remover, hot water or kerosene to remove buildup. DO NOT use gasoline.
- Use extreme care when making a *pocket cut* on wall or blind spots. The disc may get into contact with hidden objects and cause kickback.
- While operating the tool, do not set your hand or body aligned with the cut axis, because if kickback sets there is a severe injury hazard.

- Before starting a cut, the levers to adjust cutting depth and bevel should be tight and secured. If they move during the cut, they may cause the disc to bend and cause kickback. Setting excessive cutting depth increases the load on the unit and the disc might bend inside the cut. It also increases the possibility that the cut closes and increases the available area on top of the cutting disc.

## General measures

**⚠ DANGER** • Move away your hands from the cutting area and the cutting disc. To prevent from accidental injury and losing control, firmly hold the tool with both hands by the handle and the auxiliary handle.

Do not place your hand under the workpiece. The guard cannot protect the operator if the cutting disc reaches the bottom of the workpiece.

**⚠ WARNING** • The accidental contact with a rotating cutting disc may cause severe personal injury.


**⚠ DANGER** • NEVER hold the work piece to cut with your hands or on top of your leg. Hold the work piece adequately to avoid your body making contact with the cutting disc, and to prevent the disc from bending or losing control of the tool or the work piece.


**⚠ DANGER** • Do not try to remove debris material when the disc is running.



**⚠ WARNING** • Remember that the guards do not protect you from the moving disc below the work piece. Therefore never squat or try to put your hand below the work piece when the machine is running.

**⚠ CAUTION** • Double-check retractable guard and the spring are working properly before each time you use the tool. If the guard is not moving freely or is not closing instantly, service the machine.

**⚠ WARNING** • Do not bring the disc near your body when carrying the tool. If it accidentally starts the retractable guard may open and make contact with your clothes.

**⚠ CAUTION** • Operating the tools holding it by the insulated parts prevents the user from getting an electrical discharge if the disc makes contact with hidden cabling. 

• ALWAYS keep the electric supply cord away from the cutting area. The electric supply cord SHALL NEVER hang on top of the work piece when making the cut. 

• Wear always safety glasses with side protection. If dust is produced wear also a dust mask.  

## Retractable guard

Before each use double-check if the retractable guard and the spring are working correctly. If the guard is not moving freely or not closing instantaneously service them before further operation with the tool.

The retractable guard could work slowly because of damaged parts, gummy deposits or debris accumulation. To prevent from this possibility clean regularly the insides of both guards and the disc axis. Use kerosene or compressed air. Before cleaning disconnect the machine and remove the cutting discs.

The retractable guard can be opened manually. Make this only when changing discs and when making cuts such as *cut marking* or *combined cut*. Using the guard lever open the retractable guard. As soon as the disc gets into the material, release the lever. For any other type of cuts the guard should operate automatically. Never leave the retractable guard in the open position.

The retractable guard might bend due to a stroke or if it falls. Before operating the tool, verify it moves freely in every angle and cutting depths. The guard should not touch the cutting disc or any other part of the tool.

**⚠ WARNING** Verify the retractable guard covers the disc before setting the saw on a bench or on the floor. A disc rotating due to inertia could cause the saw to move backwards cutting whatever objects in its way. Verify the disc stops moving after turning off the tool.

**⚠ WARNING** Remember that the guards do not protect you from the moving disc below the work piece. Never squat or put your hand below the work piece when the tool is running.

Never use flanges or bolts that are damaged or not suitable for the cutting disc.

The flanges and bolts are specifically designed for the saw, for optimal performance and safe operation.

Do not use abrasive discs.

## Toxic materials

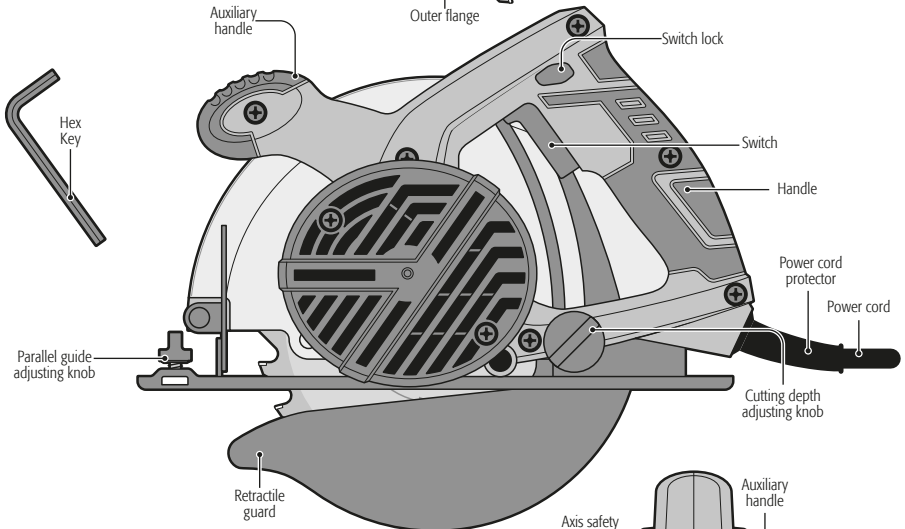
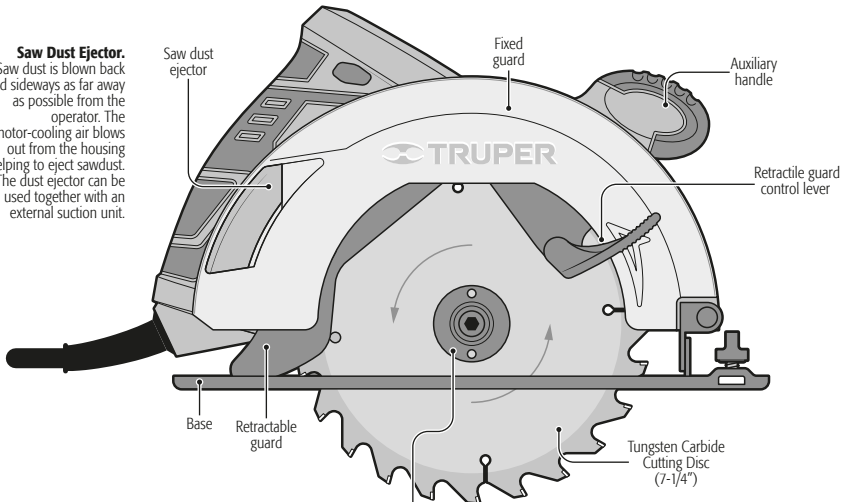
Dust coming from some materials have chemical substances known to cause cancer, birth and reproductive defects. Some of these chemical substances are:

- Lead in lead-based paint.
- Crystal Silica in bricks, cement and other masonry products.
- Arsenic and Chromium in wood treated with chemical substances.
- Asbestos.

The risk involved due to exposure to these substances varies with the frequency this type of job is made. To reduce being exposed to the chemicals work in well-ventilated areas, use the adequate safety equipment, such as dust-mask specifically designed to filter microscopic particles.

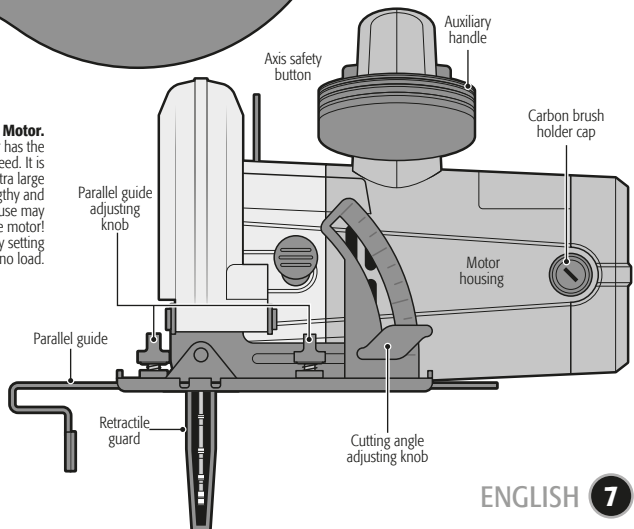


**Saw Dust Ejector.**  
Saw dust is blown back and sideways as far away as possible from the operator. The motor-cooling air blows out from the housing helping to eject sawdust. The dust ejector can be used together with an external suction unit.



**Retractable Guard.**  
The retractable guard opens automatically when the disc makes contact with the work piece. When the cut is finished, the retractable guard closes with a spring to cover the disc.

**Motor.**  
The saw's motor has the power you need. It is cooled with an extra large fan. Lengthy and heavy-duty use may overheat the motor! Cool it down by setting speed with no load.



## Cutting disc assembly

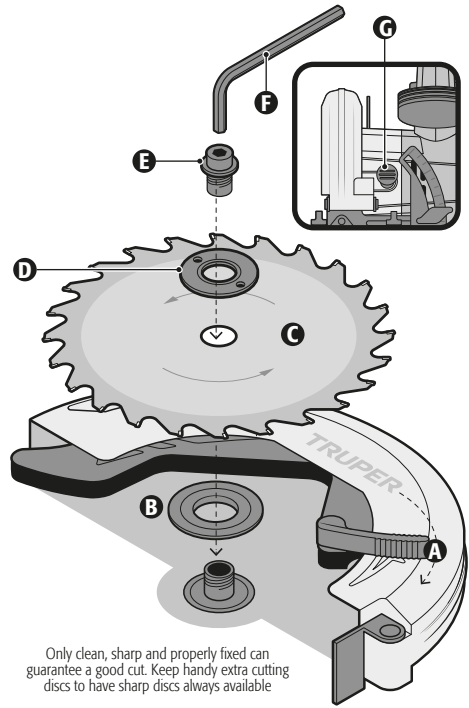
**⚠ WARNING** The cutting discs' size specified for this tool are 7-1/4". Never use a cutting disc of different type or size. Otherwise it can cause severe personal injury or damage the tool permanently and making the warranty void.

Never use damaged or incorrect washers or bolts for discs. To get excellent and safe operation the washers and bolts included are specially designed for this model of tool.

Use cutting discs with an arbor hole of the right size and shape. Otherwise the disc may start rotating eccentrically causing loss of control.

1. Unplug the tool and adjust the cutting depth to the lowest setting. (See page 9).
2. Open the retractable guard all the way (A) and keep it in that position.
3. Insert the inner flange (B) in the axis.
4. Fix the cutting disc (C). Double-check the printed arrow in the disc matches the direction of the arrow embossed in the tool's guard.
5. Insert the outer flange (D) in the axis.
6. Fix the bolt (E) into the axis and tighten with the hex key (F) and press the axis security button (G).
7. To remove discs reverse the steps.

When the cutting discs wear out, replace them immediately



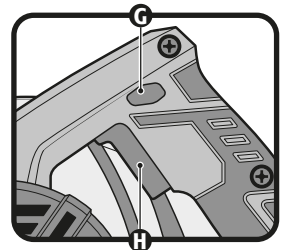
## Start Up

The circular saw is a multi-use tool to cut hard or soft wood, plywood, Resopal covered materials, etc.

**⚠ CAUTION** This tool is not designed to cut metal material, masonry, cement or bricks.

### Turning On

- Connect the plug to the outlet.
- To unblock the switch (H) keep the switch lock (G) pressed down. The switch lock prevents from accidental start up.
- Press the switch (H) to start the disc rotation.
- To stop the disc release the switch (H).

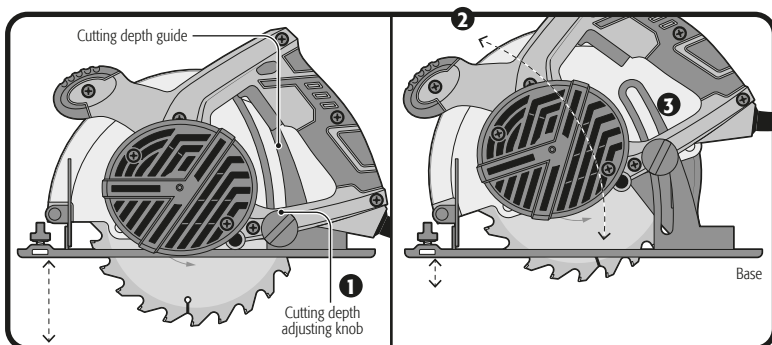




## Cutting depth adjustment

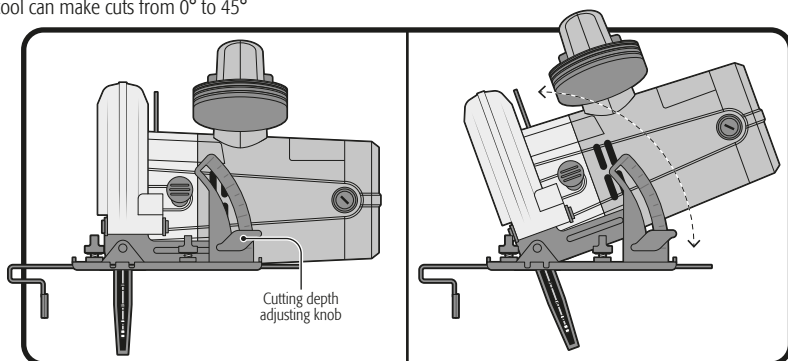
1. Loosen the cutting depth adjusting knob.
2. Having the base fixed, raise the housing until the disc sticks out to the desired depth from the base. Use the depth guide as reference.
3. Tighten the cutting depth adjusting knob to prevent the housing from moving during the cut.
4. Cutting depth can go up to 2.5"

**CAUTION** • The cutting depth should match the work piece thickness or stick out from the piece the size of one disc tooth at the most, to prevent causing an accident.



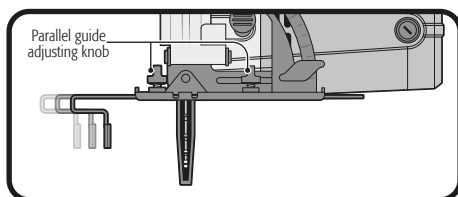
## Cutting angle adjustment

- Loosen the cutting angle adjustment knobs.
- Fix the base. Turn the housing until the disc sits on the desired angle.
- Tighten the angle adjustment knob to prevent the housing to move during the cut.
- The tool can make cuts from 0° to 45°




## Parallel guide adjustment

Use the parallel guide to fix the work piece while cutting. To adjust widths loosen the knob and slide the parallel guide into the desired position.



Keep in mind to disconnect the tool before cleaning or servicing.

Every component in the tool is an important part of the insulating system and should only be serviced in a  **TRUPER®** Authorized Service Center.

When sending the tool to a  **TRUPER®** Authorized Service Center, ALWAYS ask for original spare parts.

When cleaning the plastic parts of the tool, refrain from using solvents. Most plastic materials are susceptible to damage when commercial type solvents are applied.

Use a clean cloth or pressurized air to clean dirt, coal or dust.


**⚠ WARNING** NEVER expose the tool to oil, brake fluid, petroleum based products, penetrating oils, etc. They are made of chemical substances that may damage or destroy plastics.

**⚠ WARNING** When using pressurized air to blow off particles ALWAYS wear protective glasses with side protectors or a facemask. If too much dust is present use a dust-mask.



It is not advisable to use this tool for prolonged jobs with fiberglass, drywall or plaster. Their particles are highly abrasive for any power tool components. When using a tool in any of those materials, a very important measure is to frequently clean with compressed air to increase the useful life of the machine.

## Carbon brush replacement

- Replace worn (burnt, broken or smaller than 0.19" long) carbon brushes. Use new carbons.
- When changing carbons always change both carbons at the same time.
- Remove worn carbons from the housing. Clean dust with compressed air.
- Set the new carbons in a reverse order. Carbon should easily fall into the carbon housing.
- After setting up new carbon brushes let the machine to run a couple of minutes with no load. This way the carbon brushes will adjust better.
- Use only original  **TRUPER®** spare carbon brushes, designed specifically with the right strength and electric resistance for each type of motor. Carbon brushes with different specifications may damage the motor.

In the event of any problem contacting a Truper Authorized Service Center, please see our webpage [www.truper.com](http://www.truper.com) to get an updated list, or call our toll-free numbers **800 690-6990** or **800 018-7873** to get information about the nearest Service Center.

- AGUASCALIENTES** **DE TODO PARA LA CONSTRUCCIÓN**  
GRAL. BARRAGÁN #1201, COL. GREMIAL, C.P. 20030, AGUASCALIENTES, AGS. TEL.: 449 994 0537
- BAJA CALIFORNIA** **SUCURSAL TIJUANA**  
AV. LA ENcantADA, LOTE #5, PARQUE INDUSTRIAL EL FLORIDO II, C.P. 22244, TIJUANA, B.C. TEL.: 664 969 5100
- BAJA CALIFORNIA SUR** **FIX FERRETERÍAS**  
FELIPE ANGELES ESQ. RUIZ CORTÍNEZ S/N, COL. PUEBLO NUEVO, C.P. 23670, CD. CONSTITUCIÓN, B.C.S. TEL.: 613 132 1115
- CAMPECHE** **TORNILLERÍA Y FERRETERÍA AAA**  
AV. ÁLVARO OBREGÓN #324, COL. ESPERANZA C.P. 24080 CAMPECHE, CAMP. TEL.: 981 815 2808
- CHIAPAS** **FIX FERRETERÍAS**  
AV. CENTRAL SUR #27, COL. CENTRO, C.P. 30700, TAPACHULA, CHIS. TEL.: 962 118 4083
- CHIHUAHUA** **SUCURSAL CHIHUAHUA**  
AV. SILVESTRE TERRAZAS #128-11, PARQUE INDUSTRIAL BAFAR, CARRETERA MÉXICO CUAUHTÉMOC, C.P. 31415, CHIHUAHUA, CHIH. TEL.: 614 434 0052
- MEXICO CITY** **FIX FERRETERÍAS**  
EL MONSTRUO DE CORREGIDORA, CORREGIDORA # 22, COL. CENTRO, C.P. 06060, CUAUHTÉMOC, CDMX. TEL.: 55 5522 5031 / 5522 4861
- COAHUILA** **SUCURSAL TORREÓN**  
CALLE METAL MECÁNICA #280, PARQUE INDUSTRIAL ORIENTE, C.P. 27278, TORREÓN, COAH. TEL.: 871 209 68 23
- COLIMA** **BOMBAS Y MOTORES BYMTESA DE MANZANILLO**  
BLVD. MIGUEL DE LA MADRID #190, COL. 16 DE SEPTIEMBRE, C.P. 28239, MANZANILLO, COL. TEL.: 314 332 1986 / 332 8013
- DURANGO** **TORNILLOS ÁGUILA, S.A. DE C.V.**  
MAZURIO #200, COL. LUIS ECHEVERRÍA, DURANGO, DGO. TEL.: 618 817 1946 / 618 818 2844
- ESTADO DE MÉXICO** **SUCURSAL CENTRO JILOTEPEC**  
PARQUE INDUSTRIAL # 1, COL. PARQUE INDUSTRIAL JILOTEPEC, JILOTEPEC, EDO. DE MÉX. C.P. 54257 TEL.: 761 782 9101 EXT. 5728 Y 5102
- GUANAJUATO** **CIÁ. FERRETERA NUEVO MUNDO S.A. DE C.V.**  
AV. MÉXICO - JAPÓN #225, CD. INDUSTRIAL, C.P. 38010, CELAYA, GTO. TEL.: 461 617 7578 / 79 / 80 / 88
- GUERRERO** **CENTRO DE SERVICIO ECLIPSE**  
CALLE PRINCIPAL MZ.1 LT. 1, COL. SANTA FE, C.P. 39010, CHILPANCIÑO, GRO. TEL.: 747 478 5793
- HIDALGO** **FERREPRECIOS S.A. DE C.V.**  
LIBERTAD ORIENTE #304 LOCAL 30, INTERIOR DE PASAJE ROBLEDO, COL. CENTRO, C.P. 43600, TULANCINGO, HGO. TEL.: 775 753 6615 / 775 753 6616
- JALISCO** **SUCURSAL GUADALAJARA**  
AV. ADOLFO B. HORN # 6800, COL: SANTA CRUZ DEL VALLE, C.P.: 45655, TLAJOMULCO DE ZUÑIGA, JAL. TEL.: 33 3606 5285 AL 90
- MICHOACÁN** **FIX FERRETERÍAS**  
AV. PASEO DE LA REPÚBLICA #5140-A, COL. EX-HACIENDA DE LA HUERTIA, C.P. 58050, MORELIA, MICH. TEL.: 443 334 6858
- MORELOS** **FIX FERRETERÍAS**  
CAPITAN ANZURES #95, ESQ. JOSÉ PERDIZ, COL. CENTRO, C.P. 62740, CUAUTLA, MOR. TEL.: 735 352 8931
- NAYARIT** **HERRAMIENTAS DE TEPIC**  
MAZATLAN #117, COL. CENTRO, C.P. 63000, TEPIC, NAY. TEL.: 311 258 0540
- NUEVO LEÓN** **SUCURSAL MONTERREY**  
CARRETERA LAREDO #300, 1B MONTERREY PARKS, COLONIA PUERTA DE ANAHUAC, C.P. 66052, ESCOBEDO, NUEVO LEÓN, TEL.: 81 8352 8791 / 81 8352 8790
- OAXACA** **FIX FERRETERÍAS**  
AV. 20 DE NOVIEMBRE #910, COL. CENTRO, C.P. 68300, TUXTEPEC, OAX. TEL.: 287 106 3092
- PUEBLA** **SUCURSAL PUEBLA**  
AV. PFERIFÉRICO #2-A, SAN LORENZO ALMECATLA, C.P. 72710, CUAUTLACINGO, PUE. TEL.: 222 282 8282 / 84 / 85 / 86
- QUERÉTARO** **ARU HERRAMIENTAS S.A. DE C.V.**  
AV. PUERTO DE VERACRUZ #110, COL. RANCHO DE ENMEDIO, C.P. 76842, SAN JUAN DEL RÍO, QRO. TEL.: 427 268 4544
- QUINTANA ROO** **FIX FERRETERÍAS**  
CARRETERA FEDERAL MZ. 46 LT. 3 LOCAL 2, COL. EJIDAL, C.P. 77710 PLAYA DEL CARMEN, Q.R. TEL.: 984 267 3140
- SAN LUIS POTOSÍ** **FIX FERRETERÍAS**  
AV. UNIVERSIDAD #1850, COL. EL PASEO, C.P. 78320, SAN LUIS POTOSÍ, S.L.P. TEL.: 444 822 4341
- SINALOA** **SUCURSAL CULIACÁN**  
AV. JESÚS KUMATE SUR #4301, COL. HACIENDA DE LA MORA, C.P. 80143, CULIACÁN, SIN. TEL.: 667 173 9139 / 173 8400
- SONORA** **FIX FERRETERÍAS**  
CALLE 5 DE FEBRERO #517, SUR LT. 25 MZ. 10, COL. CENTRO, C.P. 85000, CD. OBREGÓN, SON. TEL.: 644 413 2392
- TABASCO** **SUCURSAL VILLAHERMOSA**  
CALLE HELIO LOTES 1, 2 Y 3 MZ. #1, COL. INDUSTRIAL, 2A ETAPA, C.P. 86010, VILLAHERMOSA, TAB. TEL.: 993 353 7244
- TAMAULIPAS** **VM ORINGS Y REFACCIONES**  
CALLE ROSITA #527 ENTRE 20 DE NOVIEMBRE Y GRAL. RODRÍGUEZ, FRACC. REYNOSA, C.P. 88780, REYNOSA, TAMS. TEL.: 899 926 7552
- TLAXCALA** **SERVICIOS Y HERRAMIENTAS INDUSTRIALES**  
PABLO SIDAR #132, COL. BARRIO DE SAN BARTOLOMÉ, C.P. 90970, SAN PABLO DEL MONTE, TLAX. TEL.: 222 271 7502
- VERACRUZ** **LA CASA DISTRIBUIDORA TRUPER**  
BLVD. PRIMAVERA ESQ. HORTENSIA S/N, COL. PRIMAVERA C.P. 93308, POZA RICA, VER. TEL.: 782 823 8100 / 826 8484
- YUCATÁN** **SUCURSAL MÉRIDA**  
CALLE 33 #600 Y 602, LOCALIDAD ITZINCAB Y MULSAY, MPIO. UMÁN, C.P. 97390, MÉRIDA, YUC. TEL.: 999 912 2451

| Code  | Model        | Brand  |
|-------|--------------|--|
| 11004 | SICI-7-1/4A3 |  <b>TRUPER®</b> |

**Warranty.** Duration: 2 year. Coverage: parts, components and workmanship against manufacturing or operating defects, except if used under conditions other than normal; when it was not operated in accordance with the instructive; was altered or repaired by personnel not authorized by **Truper®**. To make the warranty valid, present the product, stamped policy or invoice or receipt or voucher, in the establishment where you bought it or in Corregidora 22, Centro, Cuauhtémoc, CDMX, 06060, where you can also purchase parts, components, consumables and accessories. It includes the costs of transportation of the product that derive from its fulfillment of its service network. . Phone number **800-018-7873**. Made in China. Imported by Truper, S.A. de C.V. Parque Industrial 1, Parque Industrial Jilotepec, Jilotepec, Edo. de Méx. C.P. 54257, Phone number 761 782 9100.



# 2 YEAR

Stamp of the business. Delivery date:

2  
AÑOS

Sello del establecimiento comercial. Fecha de entrega:

**Garantía.** Duración: 2 años. Cobertura: piezas, componentes y mano de obra contra defectos de fabricación o funcionamiento, excepto si se usó en condiciones distintas a las normales; cuando no fue operado conforme a las instrucciones; fue alterado o reparado por personal no autorizado por **Truper**. Para hacer efectiva la garantía presente el producto, póliza sellada o factura o recibo o comprobante, en el establecimiento donde lo compró o en Corregidora 22, Centro, Cuauhtémoc, CDMX, 06060, donde también podrá adquirir partes, componentes, consumibles y accesorios. Incluye los gastos de transportación del producto que deriven de su cumplimiento de su red de servicio. Tel. **800-018-7873**. Made in/Hecho en China. Importador **Truper, S.A. de C.V.** Parque Industrial 1, Parque Industrial Jilotepec, Jilotepec, Edo. de Méx. C.P. 54257, Tel. 761 782 9100.

**TRUPER**

SIGI-7-1/4A3

11004

Marca

Modelo

Código

Póliza de  
Garantía

**TRUPER**

En caso de tener algún problema para contactar un Centro de Servicio Autorizado Truper® consulte nuestra página [www.truper.com](http://www.truper.com) donde obtendrá un listado actualizado, o llame al: 800 690-6990 ó 800 018-7873 donde le informarán cuál es el Centro de Servicio más cercano.

- AGUASCALIENTES**  
**DE TODO PARA LA CONSTRUCCION**  
 GRAL. BARBAÑA #1201, COL. GERMAL, C.P. 20030, AGUASCALIENTES, ACS, TEL.: 449 994 994 0537
- BAYA**  
**SUCURSAL TIJUANA**  
 AV. LA ENCANIADA, LOTE #5, PARQUE INDUSTRIAL EL FLORIDO II, C.P. 22244, TIJUANA, B.C.  
 TEL.: 664 969 5100
- BAYA CALIFORNIA**  
**FIX FERRTERIAS**  
 FELIPE ANGELES ESQ. RUIZ CORTINEZ 5VA, COL. PUEBLO NUEVO, C.P. 25670, CD. CONSTITUCION, B.C.S.  
 TEL.: 615 132 1115
- CAMPICHE**  
**TORNILLERIA Y FERRTERIA AAA**  
 C.P. 24080 CAMPECHE, CAMP. TEL.: 981 815 2808
- CHIHUAHUA**  
**FIX FERRTERIAS**  
 TAPACHULA, CHIS. TEL.: 962 118 4083
- CHIHUAHUA**  
**SUCURSAL CHIHUAHUA**  
 AV. SILVESTRE TERREZAS #128-11, PARQUE INDUSTRIAL BARRA, CARRETERA MEXICO CUAHUATEMOC, C.P. 31415, CHIHUAHUA, CHIH. TEL.: 614 454 0052
- CIUDAD DE MEXICO**  
**FIX FERRTERIAS**  
 EL MONSTRUO DE CORRERIDORA, CORRERIDORA # 22, COL. CENTRO, C.P. 06060, CUAHUATEMOC, CD.MX.  
 TEL.: 55 5522 5051 / 5522 4861
- COAHUILA**  
**SUCURSAL TOREON**  
 CALLE METAL MECANICA #280, PARQUE INDUSTRIAL ORIENTE, C.P. 27278, TOREON, COAH.  
 TEL.: 871 209 68 23
- COLIMA**  
**ROMBAS Y MOTORES BYMTESA DE MANZANILLO**  
 BOMB. MIGUEL DE LA MADRID #190, COL. 16 DE SEPTIEMBRE, C.P. 28259, MANZANILLO, COL.  
 TEL.: 514 352 1986 / 352 8013
- DURANGO**  
**TORNILLOS AGUILA, S.A. DE C.V.**  
 DGO. TEL.: 618 817 1946 / 618 818 2844  
 COL. LUIS GCHVERIA, DURANGO,
- ESTADO DE MEXICO**  
**SUCURSAL CENTRO ILOTPEC**  
 PARQUE INDUSTRIAL # 1, COL. PARQUE INDUSTRIAL ILOTPEC, ILOTPEC, EDO. DE MEX. C.P. 54257  
 TEL.: 761 782 9101 EX11, 5728 Y 5102
- GUANAJUATO**  
**CLA, FERRTERIA NUEVO MUNDO S.A. DE C.V.**  
 AV. MEXICO - JAPON #225, CD. INDUSTRIAL, C.P. 38010, CELAYA, GTO. TEL.: 461 617 7578 / 79 / 80 / 88
- GUERRERO**  
**CENTRO DE SERVICIO ECLIPSE**  
 CALLE PRINCIPAL MT. 1, COL. SANTA FE, C.P. 39010, CHIAPANINGO, GRO. TEL.: 747 478 5793
- HIDALGO**  
**FERRFERECIOS S.A. DE C.V.**  
 LIBERTAD ORIENTE #504 LOCAL 30, INTERIOR DE PASAJE ROBLEDO, C.P. 43600, TULANCINGO,  
 HGO. TEL.: 775 753 6615 / 775 753 6616
- JALISCO**  
**SUCURSAL GUADALAJARA**  
 AV. ADOLEF. B. HORN # 6800, COL. SANTA CRUZ DEL VALLE, C.P.: 45655, TLAMUULCO DE ZUNIGA, JAL.  
 TEL.: 33 5606 5285 AL 90
- MICHOCAN**  
**FIX FERRTERIAS**  
 AV. PASO DE LA REPUBLICA #3140A, COL. EXHACIENDA DE LA HUERTA, C.P. 58050, MORELIA,  
 MICH. TEL.: 443 534 6858

- MORELOS**  
**FIX FERRTERIAS**  
 CAPITAN ANZURES #95, ESQ. JOSE PERDIZ, COL. CENTRO, C.P. 62740, CUAUTLA, MOR.  
 TEL.: 735 352 8951
- NAVARIT**  
**HERRAMIENTAS DE TEPIC**  
 MAZATLAN #117, COL. CENTRO, C.P. 63000, TEPIC, NAY.  
 TEL.: 311 258 0540
- NEUVO LEON**  
**SUCURSAL MONTERREY**  
 CARRETERA LARREDO #500, 18 MONTERREY PARKS, COLOMINA PUERTA DE ANAHUAC, C.P. 66052, ESCOBEDO, NUEVO LEON, TEL.: 81 8352 8791 / 81 8352 8790
- OAXACA**  
**FIX FERRTERIAS**  
 AV. 20 DE NOVIEMBRE #910, COL. CENTRO, C.P. 68300, TUXTEPEC, OAX. TEL.: 287 106 3092
- PUEBLA**  
**SUCURSAL PUEBLA**  
 AV. PERRERICO #2-A, SAN LORENZO ALMECATLA, C.P. 72710, CUAUTLACINGO, PUE.  
 TEL.: 222 282 8282 / 84 / 85 / 86
- QUERETARO**  
**AU HERRAMIENTAS S.A DE C.V.**  
 AV. PUERTO DE VERACRUZ #110, COL. RANCHO DE ENMEDIO, C.P. 76842, SAN JUAN DEL RIO, QRO.  
 TEL.: 427 268 4544
- QUINTANA ROO**  
**FIX FERRTERIAS**  
 CARRETERA FEDERAL MZ. 46 IT. 3 LOCAL 2, COL. EJIDAL, C.P. 77110 PLAZA DEL CARMEN, Q.R.  
 TEL.: 984 267 3140
- SAN LUIS POTOSI**  
**FIX FERRTERIAS**  
 AV. UNIVERSIDAD #1850, COL. EL PASEO, C.P. 78320, SAN LUIS POTOSI, S.L.P. TEL.: 444 822 4341
- SINALOA**  
**SUCURSAL CUICUAC**  
 AV. JESUS UVAJTE SUR #4301, COL. HACIENDA DE LA MORA, C.P. 80143, CUICUACAN, SIN.  
 TEL.: 667 173 9159 / 173 8400
- SONORA**  
**FIX FERRTERIAS**  
 CALLE 5 DE FEBRERO #517, SUR IT. 25 MZ. 10, COL. CENTRO, C.P. 85000, CD. OBREGON, SON.  
 TEL.: 644 413 2592
- TABASCO**  
**SUCURSAL VILLAHERMOSA**  
 CALLE HELIO LOTES 1, 2 Y 3 MZ. #1, COL. INDUSTRIAL, ZA TLAPA, C.P. 86101, VILLAHERMOSA, TAB.  
 TEL.: 993 353 7244
- TAMAULIPAS**  
**WIN ORINCS Y HERACCIONES**  
 CALLE ROSITA #527 ENTRE 20 DE NOVIEMBRE Y GRAL. TAMM, TEL.: 899 926 7522
- TLAXCALA**  
**SERVICIOS Y HERRAMIENTAS INDUSTRIALES**  
 PABLO SIDAR #132, COL. BARRIO DE SAN BARTOLOME, C.P. 90970, SAN PABLO DEL MONTE, TLAX.  
 TEL.: 222 271 7502
- VERACRUZ**  
**LA CASA DISTRIBUIDORA TRUPER**  
 PRIMAVERA, ESQ. HORTENSIA S/N, COL. C.P. 93508, POZA RICA, VER.  
 TEL.: 782 823 8100 / 826 8484
- YUCATAN**  
**SUCURSAL MÉRIDA**  
 CALLE 33 #600 Y 602, LOCALIDAD TIZICGAB Y MUISAN, MPIO. UMAN, C.P. 97390, MÉRIDA, YUC.  
 TEL.: 999 912 2451

Recuerde desconectar la herramienta antes de limpiarla o darle mantenimiento.

Todos los componentes de la herramienta son parte importante del sistema de aislamiento y solamente se les debe dar mantenimiento en un Centro de Servicio Autorizado **TRUPER**.

Cuando mande la herramienta a mantenimiento, pida SIEMPRE refacciones originales **TRUPER**.

Cuando limpie las partes de plástico, evite usar solventes. La mayoría de los materiales plásticos son susceptibles a dañarse con varios tipos de solventes comerciales.

Para limpiar sujeción, carbón o polvo use un trapo limpio o aire a presión.

**ADVERTENCIA** NUNCA se debe poner la

herramienta en contacto con aceite para frenos,

productos con base de petróleo, aceites penetrantes, etc. Contienen sustancias químicas que pueden dañar o destruir el plástico.

**ADVERTENCIA** Cuando use aire a presión para

limpiar partículas use SIEMPRE lentes de seguridad con

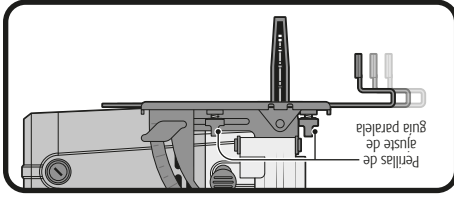
protectores laterales o careta, en caso de expulsar mucho polvo, use también una mascarilla contra polvo.



No es recomendable que esta herramienta se use para trabajos extensos en materiales de fibra de vidrio, cartón de yeso, emplastecidos o yeso, ya que sus partículas son altamente abrasivas para los componentes de cualquier herramienta eléctrica. En caso de usar la herramienta en algún material es muy importante que se limpie frecuentemente con aire a presión para aumentar la vida útil de la herramienta.

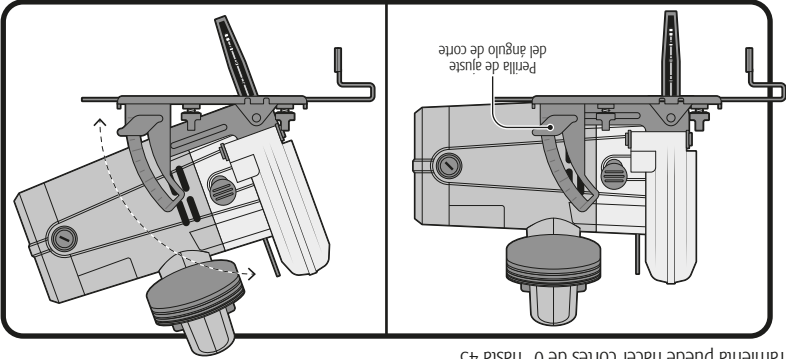
### Cambio de carbones

- Es necesario reemplazar los carbones desgastados (quemados, rotos o de menos de 5 mm de largo), con carbones nuevos.
- Cuando se haga el cambio de carbones siempre deben cambiarse los dos carbones.
- Retire los carbones desgastados del portacarbones y retire el polvo acumulado con aire comprimido.
- Coloque los carbones nuevos invirtiendo el orden. Los carbones deben caer en los portacarbones fácilmente.
- Después de colocar los carbones nuevos, permita que la máquina funcione durante algunos minutos sin carga de trabajo para que los carbones tengan un mejor ajuste.
- Solo se deben de usar carbones de repuesto **TRUPER** originales, diseñados específicamente con la dureza y la resistencia eléctrica adecuada para cada tipo de motor. Los carbones fuera de especificaciones pueden dañar el motor.



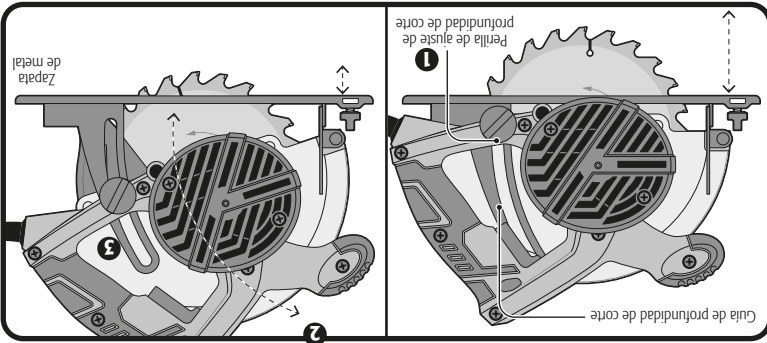
Para mantener fijo el ancho de trabajo utilice la guía paralela. Para ajustar el ancho afloje las perillas y recorra la guía paralela a la posición deseada.

### Ajuste de la guía paralela



- Afloje las perillas de ajuste del ángulo de corte.
- Con la base fija, gire la carcasa hasta que el disco tenga el ángulo deseado.
- Apriete las perillas de ajuste del ángulo de corte para evitar que la carcasa se mueva durante el corte.
- La herramienta puede hacer cortes de 0° hasta 45°

### Ajuste del ángulo de corte



1. Afloje la perilla de ajuste de profundidad de corte.
2. Con la base fija, levante la carcasa hasta que el disco sobresalga de la base a la profundidad deseada. Utilice la guía de profundidad como referencia.
3. Apriete la perilla de ajuste de profundidad de corte para evitar que la carcasa se mueva durante el corte.
4. La profundidad de corte puede ser de hasta 65 mm
- ⚠ ATENCIÓN** • La profundidad de corte debe ser igual al grosor de la pieza de trabajo o sobresalir de esta la medida de un diente del disco como máximo para evitar accidentes.

### Ajuste de la profundidad de corte

## Puesta en marcha



# Montaje

## Montaje del disco de corte

**⚠ ADVERTENCIA** Los discos de corte especificados para esta herramienta son de 18,5 cm (7-1/4"). Nunca debe usar otro tipo o medida de disco de corte. De lo contrario puede ocasionar lesiones personales de gravedad o dañar la herramienta invalidando su garantía. Nunca utilice arandelas y pernos para disco dañados o que no sean los correctos. Los pernos y arandelas incluidos están diseñados especialmente para este modelo de herramienta, para un funcionamiento excelente y brindar seguridad en su operación.

Utilice discos de corte con orificios de la medida y forma correcta para el eje. De lo contrario pueden girar con un movimiento excéntrico provocando pérdida de control.

1. Desconecte la herramienta y ajuste la profundidad de corte al mínimo (consulte la página 9).

2. Abra por completo la guarda retráctil (A) y manténgala en esa posición.

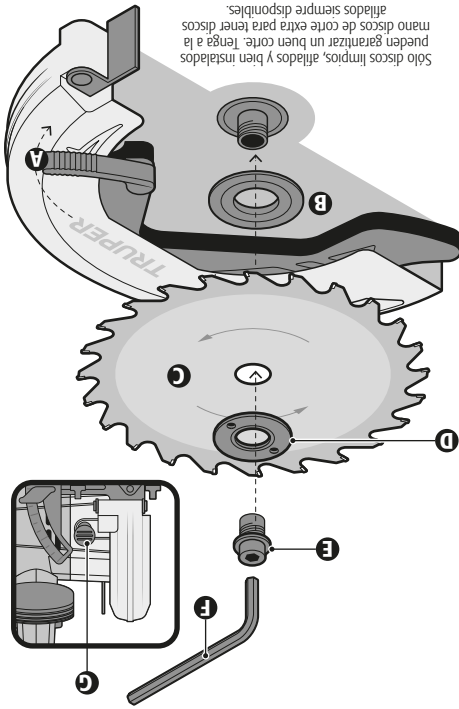
3. Inserte la brida interior (B) en el eje.

4. Coloque el disco de corte (C). Asegúrese que la dirección de la flecha grabada en la guarda de la herramienta de la flecha grabada en la guarda de la herramienta.

5. Inserte la brida exterior (D) en el eje.

6. Coloque el perno (E) en el eje y apriételo con la llave allen (F) mientras presiona el botón de seguro del eje (G).

7. Invierta los pasos para retirar los discos.



Solo discos limpios, afilados y bien instalados pueden garantizar un buen corte. Tenga a la mano discos de corte extra para tener disponibles.

## Puesta en marcha

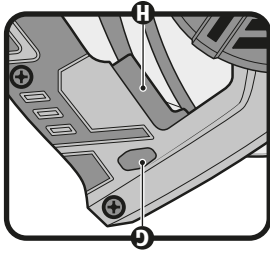
La sierra circular es una herramienta multiusos para cortar madera suave o dura, aglomerado, contrachapado, materiales con cubierta de resopal, etc.

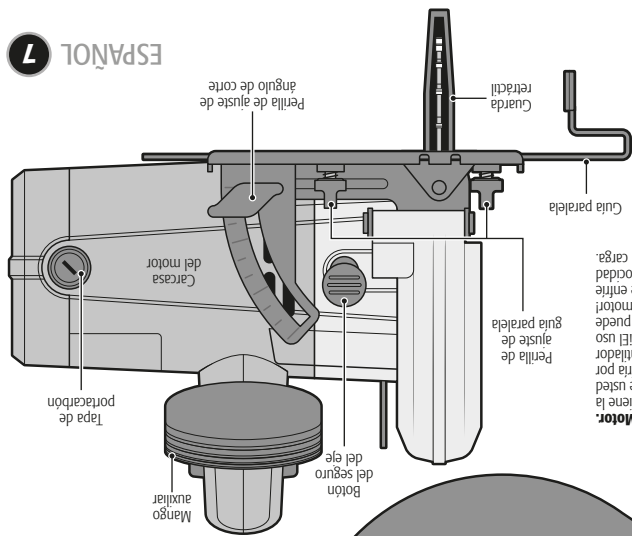
### ⚠ ATENCION

Esta herramienta no está diseñada para cortar metal, ni materiales de mampostería, cemento o ladrillo.

## Encendido

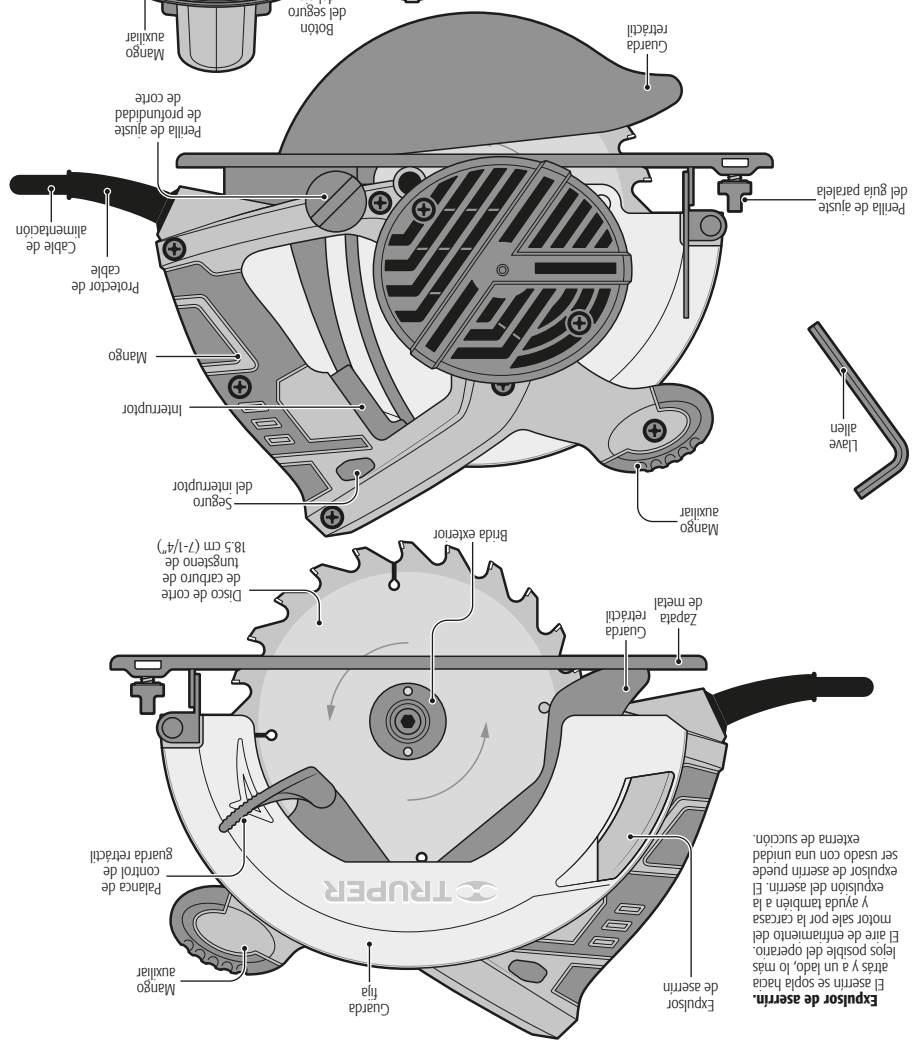
- Conecte la clavija al tomacorriente.
- Mantenga presionado el seguro del interruptor (H) para desbloquear el interruptor (H).
- El seguro del interruptor evita encendidos accidentales.
- Presione el interruptor (H) para que el disco comience a girar.
- Para detener el disco suelte el interruptor (H).





**Motor.** El motor de la sierra tiene la potencia que usted necesita. Se enfría por medio de un ventilador extra grande. El uso pesado prolongado puede sobrecalentar el motor y permitir que se enfríe sin carga.

**Guarda retráctil.** La guarda retráctil se abre de manera automática cuando el disco entra en la pieza de trabajo. Cuando se termina el corte, la guarda retráctil se cierra por medio de un resorte para cubrir el disco.



**Expulsor de aserrín.** El aserrín se sopla hacia atrás y a un lado, lo más lejos posible del operario. El aire de enfriamiento del motor sale por la carcasa y ayuda también a la expulsión del aserrín. El expulsor de aserrín puede ser usado con una unidad externa de succión.

# Advertencias de Seguridad para uso de sierras circulares

## Materiales tóxicos

El polvo originado al cortar ciertos materiales contienen sustancias químicas que se sabe causan cáncer, defectos de nacimiento y otros daños reproductivos. Algunas de estas sustancias químicas son:

- Plomo en pinturas con base de plomo.
- Sílice cristalino en tabiques y cemento, y otros productos de mampostería.
- Arsénico y cromo en madera tratada con sustancias químicas.
- Asbesto.

El riesgo que se puede tener debido a exposición a estas sustancias varía según la frecuencia con que se haga este tipo de trabajo. Para reducir la exposición a estas sustancias químicas, trabaje en áreas bien ventiladas, y use el equipo de seguridad adecuado, tal como mascarillas contra polvo diseñadas específicamente para filtrar partículas microscópicas.



## Guarda retráctil

Antes de cada uso revise que la guarda retráctil y su resorte funcionan correctamente, si la guarda no se mueve libremente o no se cierra de manera instantánea desles servicio antes de operar la herramienta.

La guarda retráctil puede funcionar con lentitud debido a partes dañadas, depósitos gomosos o acumulación de desechos. Para evitar esta posibilidad limpie con regularidad el interior de ambas guardas y el eje del disco con keroseno o aire comprimido. Antes de realizar esta limpieza desconecte la herramienta y retire los discos de corte.

La guarda retráctil se puede abrir manualmente, únicamente para cambiar los discos y hacer cortes de *marcado de corte o corte combinado*. Abra la guarda retráctil con su palanca. Tan pronto como el disco entre en el material, se debe soltar la palanca. Para cualquier otro tipo de cortes la guarda retráctil debe operar de manera automática. Nunca fije la guarda retráctil en la posición abierta.

La guarda retráctil puede doblarse por un golpe o caída. Antes de operar la herramienta asegúrese de que se mueva libremente en todos los ángulos y profundidades de corte, y que no toque el disco de corte o alguna otra parte de la herramienta.

### ADVERTENCIA

Revise que la guarda retráctil cubra el disco de corte antes de colocar la sierra en un banco o en el piso. Un disco que esté girando por inercia puede provocar que la sierra se desplace hacia atrás, cortando lo que se encuentre a su paso. Verifique que el disco deje de moverse después de apagar la herramienta.

### ADVERTENCIA

Recuerde que las guardas no lo protegen del disco en movimiento por debajo de la pieza de trabajo, por lo que jamás deberá ponerse en cuclillas o meter la mano por debajo de ella con la herramienta en marcha. Nunca utilice bridas o pernos que se encuentren dañados o no sean adecuados para el disco de corte. Las bridas y pernos se diseñan específicamente para la sierra, para lograr un desempeño óptimo y una operación segura. No utilizar discos abrasivos.



## Contragolpe

Por contragolpe nos referimos al movimiento repentino y con fuerza que sufre la herramienta hacia aduera de la pieza de trabajo y que puede hacer perder el control al operador o incluso provocar una lesión. Por lo regular es ocasionado cuando el disco de corte se atora en la pieza o por una operación deficiente. Para evitarlo se deben tomar las siguientes precauciones:

- Utilice discos de corte en bien estado y cerciórese que estén bien instalados. Los discos de corte mal instalados, dañados, con dientes sin filo o con desgaste tienden a atorarse en el material provocando contragolpes.

- Al operar la herramienta sosténgala con firmeza con una mano en el mango y la otra mano en el mango auxiliar. Utilice siempre ambas manos. Mantenga su cuerpo bien equilibrado y en una posición estable con ambos pies en el piso para resistir la fuerza de un posible contragolpe.

- Para realizar un corte alineé el disco con la línea de corte y espere a que el disco alcance su máxima velocidad antes de comenzar a cortar. No encienda la herramienta con los dientes de corte apoyados en la pieza de trabajo, podría provocar un contragolpe.

- Para reiniciar el trabajo dentro de un corte, centre el disco en el corte y revise que los dientes no estén enterrados en el material.

- Si nota que el disco se dobla o se interrumpe el corte durante la operación de la herramienta, suelte el interruptor y sostenga la herramienta dentro de la pieza de trabajo hasta que el disco se detenga por completo. No intente retirar el disco mientras siga en movimiento, podría provocar un contragolpe.

- Para minimizar el riesgo de que el disco se atore y provoque un contragolpe, antes de cortar una pieza de madera retire todos los clavos. La madera húmeda, pandeada o tratada a presión requieren de especial atención durante el corte. Al cortar tablerones grandes utilice soportes cerca de ambos lados de la línea de corte para evitar que el propio peso del material combe el tablon y cierre el corte atrepanado el disco. La goma y resina de la madera que se endurece en los discos de corte, hacen lenta la sierra. Utilice removedor de goma y resina, agua caliente o keroseno para retirar esas acumulaciones. No use gasolina.

- Tenga mucho cuidado cuando haga un corte de bolsillo en paredes o sitios ciegos. El disco puede hacer contacto con objetos ocultos y provocar un contragolpe.
- Mientras esté operando la herramienta no coloque la mano ni el cuerpo alineados al eje de corte, pues de ocurrir un contragolpe existe la posibilidad de una lesión grave.

## Generales

- Antes de empezar cualquier corte, las perillas de ajuste de profundidad de corte y de bisel deben estar apretadas y aseguradas. Si estas se mueven durante el corte, pueden hacer que el disco se doble y producir un contragolpe. Una posición de profundidad de corte excesiva aumenta la carga en la unidad y la posibilidad de que se doble el disco dentro del corte. También aumenta la probabilidad de que se cierre el corte y que aumente el área disponible por encima del disco de corte.

- Aleje las manos del área de corte del disco de corte. Al operar la herramienta sosténgala con firmeza por el mango y el mango auxiliar con ambas manos para evitar lesiones accidentales y prevenir la pérdida de control.

- No colocar la mano debajo de la pieza de trabajo. La guarda no puede proteger al operador si el disco de corte alcanza la parte inferior de la pieza de trabajo.
- **ADVERTENCIA** • El contacto accidental con un disco de corte que este girando puede ocasionar lesiones personales de gravedad.

- **PELIGRO** • NUNCA sostenga la pieza a cortar con las manos o sobre una piana. Sujete la pieza de trabajo de manera adecuada para evitar el contacto del cuerpo con el disco de corte, evitar que este se doble o perder el control de la herramienta o la pieza de trabajo.

- **PELIGRO** • No intente retirar material de desecho cuando el disco de corte este girando.
- **ADVERTENCIA** • Recuerde que las guardas no lo protegen del disco en movimiento por debajo de la pieza de trabajo, por lo que jamás deberá ponerse en cuclillas o meter la mano por debajo de ella con la herramienta en marcha.

- **ADVERTENCIA** • Antes de cada uso revise que la guarda retráctil y su resorte funcionen correctamente, si la guarda no se mueve libremente o no se cierra de manera instantánea deses servicio antes de operar la herramienta.
- **ADVERTENCIA** • Mientras tratada la herramienta no acerque el disco a su cuerpo. En caso de un encendido accidental la guarda retráctil se puede abrir al entrar en contacto con su ropa.

- **ADVERTENCIA** • Operar la herramienta sosteniéndola por sus partes aisladas evita descargas al operar en caso de que el disco haga contacto con cableado eléctrico oculto.
- **ADVERTENCIA** • Mantenga SIEMPRE el cable de alimentación alejado del área de corte. El cable de alimentación JAMÁS debe colgar sobre la pieza de trabajo cuando haga el corte.

- Use siempre anteojos de seguridad con protección lateral. En caso de producir polvo use también una máscara para polvo.



# Advertencias generales de seguridad para herramientas eléctricas

**¡ADVERTENCIA!** Lea detenidamente todas las advertencias de seguridad y todas las instrucciones que se enlistan a continuación. La omisión de algún elemento de ellas puede dar como resultado un choque eléctrico, incendio y/o daño serio.

**Área de trabajo**  
Mantenga el área de trabajo limpia y bien iluminada. Las áreas desordenadas y oscuras son propensas a accidentes.



No maneje la herramienta en ambientes explosivos, como en presencia de líquido, gas o polvo inflamables. Las herramientas eléctricas producen chispas que pueden encender material inflamable.



Mantenga alejados a los niños y curiosos cuando opere la herramienta. Las distracciones pueden hacer que pierda el control.



**Seguridad eléctrica**  
La clavija de la herramienta debe coincidir con el tomacorriente. Nunca modifique una clavija. No use ningún tipo de adaptador para clavijas de herramientas puestas a tierra. Clavijas modificadas y enchufes diferentes aumentan el riesgo de choque eléctrico.

Evite el contacto del cuerpo con superficies puestas a tierra como tuberías, radiadores, cocinas eléctricas y refrigeradores. Hay un mayor riesgo de choque eléctrico si el cuerpo está puesto a tierra. No exponga la herramienta a la lluvia o condiciones de humedad. El agua que ingresa en la herramienta aumenta el riesgo de choque eléctrico.

Cuando maneje una herramienta en exteriores, use una extensión especial para uso en exteriores. El uso de una extensión adecuada para exteriores reduce el riesgo de choque eléctrico.

Si el uso de la herramienta en un lugar húmedo es inevitable, use una alimentación protegida por un interruptor de circuito de falla a tierra (GFCI). El uso de un GFCI reduce el riesgo de choque eléctrico.

**Seguridad personal**  
Este alerta, vigile lo que está haciendo y use el sentido común cuando maneje una herramienta. No la use si está cansado o bajo la influencia de drogas, alcohol o medicamentos. Un momento de distracción mientras maneja la herramienta puede causar un daño personal.

Use equipo de seguridad. Use siempre protección para los ojos. El uso de equipo de seguridad como lentes de seguridad, mascarilla antipolvo, zapatos antideslizantes, casco y protección para los oídos en condiciones apropiadas, reduce de manera significativa los daños personales.

Evite arranques accidentales. Asegúrese de que el interruptor de alimentación y/o a la batería o a transportar la herramienta. Transportar herramientas eléctricas con el dedo sobre el interruptor o conectar herramientas eléctricas que tienen el interruptor en posición de "encendido" puede causar accidentes.

Retire cualquier llave o herramienta de ajuste antes de arrancar la herramienta eléctrica. Las llaves o herramientas que quedan en las partes rotativas de la herramienta pueden causar un daño personal.

Dele mantenimiento a la herramienta. Compruebe que las partes móviles no estén desalineadas o trabadas, que no haya piezas rotas u otras condiciones que puedan afectar su operación. Repare cualquier daño antes de usar la herramienta. Muchos accidentes son causados por el escaso mantenimiento de las herramientas.

Mantenga los accesorios de corte afilados y limpios. Los accesorios de corte en buenas condiciones son menos probables de trabarse y más fáciles de controlar.

Use la herramienta, sus componentes y accesorios de acuerdo con estas instrucciones y de la manera prevista para el tipo de herramienta, en condiciones de trabajo adecuadas. El uso de la herramienta para aplicaciones diferentes para las que está diseñada podría causar una situación de peligro.

Repare la herramienta en un Centro de Servicio Autorizado TRUPER usando sólo piezas de repuesto idénticas. Para mantener la seguridad de la herramienta.

Almaceene las herramientas fuera del alcance de los niños y no permita su manejo por personas no familiarizadas con las herramientas o con las instrucciones. Las herramientas eléctricas son peligrosas en manos no entrenadas.

Desconecte la herramienta de la fuente de alimentación y/o de la batería antes de efectuar cualquier ajuste, cambiar accesorios o almacenarla. Estas medidas reducen el riesgo de arrancar la herramienta accidentalmente.

No use la herramienta si el interruptor no funciona. Cualquier herramienta eléctrica que no pueda encenderse o apagarse es peligrosa y debe repararse antes de ser operada.

Use la herramienta, sus componentes y accesorios de acuerdo con estas instrucciones y de la manera prevista para el tipo de herramienta, en condiciones de trabajo adecuadas. El uso de la herramienta para aplicaciones diferentes para las que está diseñada podría causar una situación de peligro.

Repare la herramienta en un Centro de Servicio Autorizado TRUPER usando sólo piezas de repuesto idénticas. Para mantener la seguridad de la herramienta.



Este alerta, vigile lo que está haciendo y use el sentido común cuando maneje una herramienta. No la use si está cansado o bajo la influencia de drogas, alcohol o medicamentos. Un momento de distracción mientras maneja la herramienta puede causar un daño personal.

Use equipo de seguridad. Use siempre protección para los ojos. El uso de equipo de seguridad como lentes de seguridad, mascarilla antipolvo, zapatos antideslizantes, casco y protección para los oídos en condiciones apropiadas, reduce de manera significativa los daños personales.

Evite arranques accidentales. Asegúrese de que el interruptor de alimentación y/o a la batería o a transportar la herramienta. Transportar herramientas eléctricas con el dedo sobre el interruptor o conectar herramientas eléctricas que tienen el interruptor en posición de "encendido" puede causar accidentes.

Retire cualquier llave o herramienta de ajuste antes de arrancar la herramienta eléctrica. Las llaves o herramientas que quedan en las partes rotativas de la herramienta pueden causar un daño personal.

SICI-7-1/4A3

|                               |   |
|-------------------------------|---|
| • Código                      | 11004   |
| • Descripción                 | Sierra circular   |
| • Disco                       | 18.5 cm (7-1/4")  |
| • Profundidad de corte máxima | a 90°: 2 1/2" (65 mm)   a 45°: 1 3/4" (45 mm)                                 |
| • Tensión                     | 127 V ~   |
| • Frecuencia                  | 60 Hz   |
| • Corriente                   | 13 A  |
| • Potencia                    | 1750 W  |
| • Velocidad                   | 5 500 r/min   |
| • Ciclo de trabajo            | 30 minutos de trabajo por 15 minutos de descanso. Máximo 3 horas diariamente. |
| • Conductores                 | 16 AWG x 2C con temperatura de aislamiento de 105 °C                          |
| • Aislamiento                 | Clase II • Grado IP • IP20  |

El cable de alimentación tiene sujetá-cables tipo: Y  
La clase de construcción de la herramienta es: Doble aislamiento.  
La clase de aislamiento térmico de los devanados del motor: Clase E

### ADVERTENCIA

Si el cable de alimentación se daña, éste debe ser reemplazado por el fabricante o Centro de Servicio **TRUPER**, con el fin de evitar algún riesgo de descarga o accidente considerable. La construcción del aislamiento eléctrico de esta herramienta es alterado por saipicaduras o derramamiento de líquidos durante su operación. No la exponga a la lluvia, líquidos y/o humedad. Antes de obtener acceso a las terminales, todos los circuitos de alimentación deben ser desconectados.

### ADVERTENCIA

Las herramientas de doble aislamiento y aislamiento

## Requerimientos eléctricos

### ADVERTENCIA

El refuerzo está equipado con una clavija polarizada (una pata es más ancha que la otra). Esta clavija cabe en cualquier enchufe polarizado y sólo puede conectarse de una forma. Si la clavija no cabe en el enchufe, voltéelo. Si aún así no cabe, póngase en contacto con un electricista calificado o instale un enchufe polarizado. No altere la clavija en forma alguna. Ambos tipos de aislamiento eliminan la necesidad de un cable de corriente de tres partes con conexión a tierra o de un sistema de corriente eléctrica con conexión a tierra.

### ADVERTENCIA

Al usar un cable de extensión, asegúrese de usar el cable suficiente para transportar la corriente que consumirá su herramienta. Un cable de un calibre inferior ocasionará caídas de tensión en la línea, teniendo como resultado pérdida de potencia y sobrecalentamiento del motor. La siguiente tabla muestra el tamaño correcto que debe usarse dependiendo de la longitud del cable y de la capacidad de amperes indicada en la placa de datos de la herramienta. Si tiene dudas use el siguiente calibre más alto.

**Capacidad en Amperes**      **Número de conductores**      **Calibre de extensión**

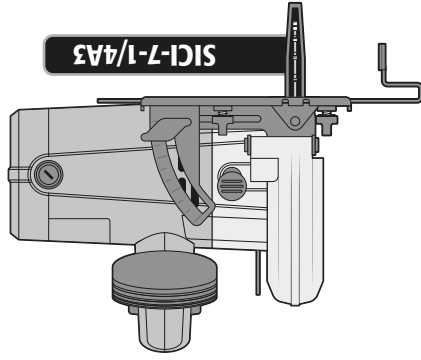
|                    |                  |                 |
|--------------------|------------------|-----------------|
| de 0 A hasta 10 A  | 3 (uno a tierra) | de 1.8 m a 15 m |
| de 10 A hasta 13 A |                  | mayor de 15 m   |
| de 13 A hasta 15 A |                  |                 |
| de 15 A hasta 20 A |                  |                 |
| de 0 A hasta 10 A  |                  | 18 AWG(*)       |
| de 10 A hasta 13 A |                  | 16 AWG          |
| de 13 A hasta 15 A |                  | 14 AWG          |
| de 15 A hasta 20 A |                  | 8 AWG           |
|                    |                  | 6 AWG           |

\* Se permite utilizar siempre y cuando las extensiones mismas cuenten con un artefacto de protección contra sobrecorriente. AWG = Calibre de alambre estadounidense (American Wire Gauge). Referencia: NMX-F-195-ANCE

### ADVERTENCIA

Al operar herramientas eléctricas en exteriores, utilice una extensión aterrizada marcada como "Uso exterior" marca **VOLTECK**. Estas extensiones son especiales para el uso en exteriores y reducen el riesgo de descarga eléctrica.





Los gráficos de este instructivo son para referencia, pueden variar del aspecto real de la herramienta.  
 Guarde este instructivo para futuras referencias.

Para poder sacar el máximo provecho de la herramienta, alargar su vida útil, hacer válida la garantía en caso de ser necesario y evitar riesgos o lesiones graves, es fundamental leer este instructivo por completo antes de usar la herramienta.

**ATENCIÓN**

- 3 Especificaciones técnicas
- 3 Requerimientos eléctricos
- 4 Advertencias generales de seguridad para herramientas eléctricas
- 5 Advertencias de Seguridad para uso de sierras circulares
- 7 Partes
- 8 Montaje
- 8 Puesta en marcha
- 10 Mantenimiento
- 11 Centros de Servicio Autorizados
- 12 Poliza de Garantía

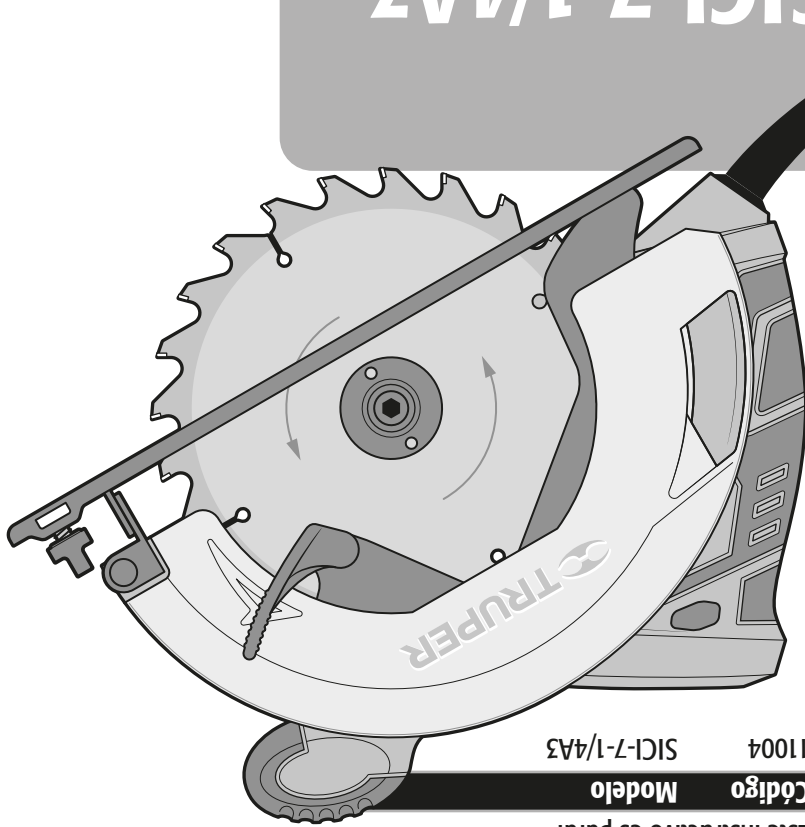


Instructivo de  
**Sierra Circular**

1750 W Potencia  
7-1/4" Disco  
18,5 cm

Este instructivo es para:

**Código** 11004  
**Modelo** SICI-7-1/4A3



**SICI-7-1/4A3**

**¡ATENCIÓN!**



Lea este instructivo por completo antes de usar la herramienta.

