

ENGLISH
ESPAÑOL



TRUPER®

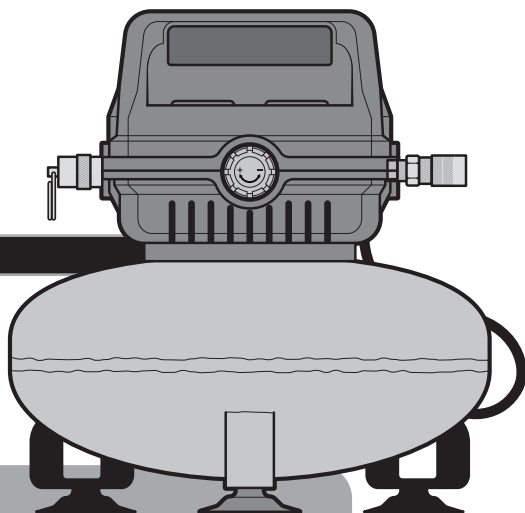
Manual

Oil - Free Air Compressor

100 PSI
Pressure

Applies for:

Code	Model
13824	COMP-12S



COMP-12S

CAUTION



Read the user's manual thoroughly
before operating this tool.



Technical Data	3
Power Requirements	3
 General Power Tool Safety Warnings	4
 Safety Warnings for Using Air Compressors	5
Parts	6
Start Up	7
Maintenance	8
Troubleshooting	9
Notes	10
Authorized Service Centers	11
Warranty Policy	12

CAUTION



To gain the best performance of the tool, prolong the duty life, make the Warranty valid if necessary, and to avoid hazards of fatal injuries please read and understand this Manual before using the tool.


Keep this manual for future references.

The illustrations in this manual are for reference only. They might be different from the real tool.

Use and care recommendations

 **NEVER EXCEED** the maximum pressure rating (PSI) of the tool or accessory being worked on.

 **IF THE COMPRESSOR DOES NOT OPERATE AFTER A PROLONGED TIME OF INACTIVITY**, turn off the thermal switch as indicated on the label attached to the tank. If the compressor still does not run or does not turn on, contact an Authorized  **TRUPER®** Service Center.

 **ASSEMBLE** the wheels and front support to keep the compressor level.

 Perform periodic **MAINTENANCE** to your machine (page 8).

COMP-12S

Code	13824		
Description	Oil-free air compressor		
Voltage	127 V ~	Frequency	60 Hz
Current	1.7 A	Motor Power	1/3 Hp
Measurements	13.7" x 13.1"	Weight	17.6 lb
Air Connections	1/4" fast coupling		
Maximum Pressure	100 PSI		
Air Flow	0.8 CFM - 40 PSI 0.5 CFM - 90 PSI		
Tank Capacity	3.1 gal		
Conductors	18 AWG x 3C with 221 °F insulation temperature		
Insulation	Class I	IP Grade	IP20

Power Cord Grips used in this product: Type "Y".
Tool Build Quality: Basic insulation
Thermal insulation on motor winding: Class B

⚠ WARNING Avoid the risk of electric shock or severe injury. When the power cable gets damaged it should only be replaced by the manufacturer or at a Authorized Service Center. The build quality of the electric insulation is altered if spills or liquid gets into the tool while in use. Do not expose to rain, liquids and/or dampness.

⚠ WARNING Before gaining access to the terminals all power sources should be disconnected.

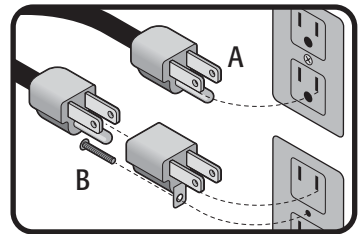


Power Requirements

⚠ WARNING The equipment shall be grounded while in use to prevent an electric shock.

- Connect plug into a properly grounded contact or outlet as shown in example **A**. Not all contacts or outlets are properly grounded. If not sure, contact with a certified electrician.
- If the outlet you want to use with the equipment has two poles (2 orifices), FOR ANY REASON AT ALL DO NOT REMOVE OR ALTER THE PLUG'S EARTH TERMINAL. Use a temporary adapter as shown in example **B** and always connect the earth conductor's lug as indicated.

⚠ CAUTION When using an extension cable, verify the gauge is enough for the power that your product needs. A lower gauge cable will cause voltage drop in the line, resulting in power loss and overheating. The following table shows the right size to use depending on cable's length and the ampere capability shown in the tool's nameplate. When in doubt use the next higher gauge.



Ampere Capacity

Number of Conductors

Extension Gauge

From 6 ft to 49 ft

Higher than 49 ft

From 0 A and up to 10 A

From 10 A and up to 13 A

From 13 A and up to 15 A

From 15 A and up to 20 A

3 (one grounded)

18 AWG

16 AWG

14 AWG

8 AWG

16 AWG

14 AWG

12 AWG

6 AWG

* It is safe to use only if the extensions have a built-in artifact for over current protection.

AWG = American Wire Gauge. Reference: NMIX-J-195-ANCE

⚠ WARNING When operating power tools outdoors, use a grounded extension cable labeled "For Outdoors Use". These extensions are especially designed for operating outdoors and reduce the risk of electric shock.

⚠ WARNING All the cabling, power connections and the ground connection of the system shall be in compliance with the Mexican Official Standard **NORMA OFICIAL MEXICANA NOM-001-SEDE-2012, INSTALACIONES ELÉCTRICAS (UTILIZACIÓN)** or with the local codes and municipal by-laws.



⚠ WARNING! Read carefully all safety warnings and instructions listed below. Failure to comply with any of these warnings may result in electric shock, fire and / or severe damage. **Save all warnings and instructions for future references.**

Work area

Keep your work area clean, and well lit.

Cluttered and dark areas may cause accidents.



Never use the tool in explosive atmospheres, such as in the presence of flammable liquids, gases or dust.

Sparks generated by power tools may ignite the flammable material.



Keep children and bystanders at a safe distance while operating the tool.

Distractions may cause losing control.



Electrical Safety

The tool plug must match the power outlet. Never modify the plug in any way. Do not use any adapter plugs with grounded power tools.

Modified plugs and different power outlets increase the risk of electric shock.



Avoid direct contact with grounded surfaces, such as pipes, radiators, electric ranges and refrigerators.

The risk of electric shock increases if your body is grounded.

Do not expose the tool to rain or wet conditions.

Water entering into the tool increases the risk of electric shock.

Do not force the cord. Never use the cord to carry, lift or unplug the tool. Keep the cord away from heat, oil, sharp edges or moving parts.

Damaged or entangled cords increase the risk of electric shock.

When operating a tool outdoors, use an extension cord suitable for outdoor use.

Using an adequate outdoor extension cord reduces the risk of electric shock.

If operating the tool in a damp location cannot be avoided, use a ground fault circuit interrupter (GFCI) protected supply.

Using a GFCI reduces the risk of electric shock.

Personal safety

Stay alert, watch what you are doing and use common sense when operating a tool. Do not use a power tool while you are tired or under the influence of drugs, alcohol or medication.

A moment of distraction while operating the tool may result in personal injury.

Use personal protective equipment. Always wear eye protection.

Protective equipment such as safety glasses, anti-dust mask, non-skid shoes, hard hats and hearing protection used in the right conditions significantly reduce personal injury.



Prevent unintentional starting up. Ensure the switch is in the "OFF" position before connecting into the power source and / or battery as well as when carrying the tool.

Transporting power tools with the finger on the switch or connecting power tools with the switch in the "ON" position may cause accidents.

Remove any wrench or vice before turning the power tool on.

Wrenches or vices left attached to rotating parts of the tool may result in personal injury.

Do not overreach. Keep proper footing and balance at all times.

This enables a better control on the tool during unexpected situations.

Dress properly. Do not wear loose clothing or jewelry. Keep hair, clothes and gloves away from the moving parts.

Loose clothes or long hair may get caught in moving parts.



If you have dust extraction and recollection devices connected onto the tool, inspect their connections and use them correctly.

Using these devices reduce dust-related risks.

Power Tools Use and Care

Do not force the tool. Use the adequate tool for your application.

The correct tool delivers a better and safer job at the rate for which it was designed.



Do not use the tool if the switch is not working properly.

Any power tool that cannot be turned ON or OFF is dangerous and should be repaired before operating.

Disconnect the tool from the power source and / or battery before making any adjustments, changing accessories or storing.

These measures reduce the risk of accidentally starting the tool.

Store tools out of the reach of children. Do not allow persons that are not familiar with the tool or its instructions to operate the tool.

Power tools are dangerous in the hands of untrained users.



Service the tool. Check the mobile parts are not misaligned or stuck. There should not be broken parts or other conditions that may affect its operation. Repair any damage before using the tool.

Most accidents are caused due to poor maintenance to the tools.



Keep the cutting accessories sharp and clean.

Cutting accessories in good working conditions are less likely to bind and are easier to control.

Use the tool, components and accessories in accordance with these instructions and the projected way to use it for the type of tool when in adequate working conditions.

Using the tool for applications different from those it was designed for, could result in a hazardous situation.

Service

Repair the tool in a TRUPER Authorized Service Center using only identical spare parts.

This will ensure that the safety of the power tool is maintained.

Children or people with reduced physical, sensory or mental capabilities shall not operate the tool, neither inexperienced people or without knowledge in the use of the tool, unless supervised by a person responsible of their safety or if receiving previous instructions about the tool operation.

Children shall be kept under supervision to double-check they will not play with the tool. Tight supervision shall be used with children or disabled persons to prevent from using or being close to any household tool.



This tool is in compliance with the Official Mexican Standard (NOM - Norma Oficial Mexicana).

Safety Warnings for Using Air Compressors



Before using the compressor

⚠ CAUTION • The equipment, when operated, may be an ignition source. Keep the equipment away at least 18 ft away from explosive vapors like gasoline or other solvents. Always operate the equipment in a well-ventilated area. Do not operate in enclosed areas. Do not smoke while spraying. Do not spray in flammable environments. Keep the compressor as far away as possible from the spraying area.


⚠ CAUTION • Solvents like trichloroethane and methylene chloride may have a chemical reaction with the aluminum used in the paint spraying guns, paint pumps, etc., and may cause an explosion. If using those solvents, use only stainless-steel spraying equipment. This will not affect the air compressor but may affect the equipment being used.

⚠ DANGER • For any reason, do not carry out welding jobs in the compressor air tank because it creates a very dangerous situation. If carrying out a welding job in the tank, the Warranty is void.

⚠ DANGER • When raining or in wet surfaces, never use the compressor outdoors. Danger of electric discharge.

⚠ CAUTION • Check the maximum pressure specified by the manufacturer for pneumatic tools and accessories. The compressor outlet pressure shall be regulated so that in never exceeds the maximum specified pressure.

• Keep in place the labels and nameplates. They have important safety information. If the labels or nameplates cannot be read or are missing, contact a

 **TRUPER** Authorized Service Center to get spares.

⚠ CAUTION • For any reason, do not modify the compressor or the release valve. Doing it will make the Warranty void. Those parts are factory adjusted for this unit maximum pressure.

⚠ CAUTION • Double check all the labels in the paint or toxic materials you will spray. Follow the safety instructions. Wear a breathing mask if there is a possibility of inhaling the material sprayed. Read the breathing mask instructions to make sure it delivers the adequate protection.

⚠ CAUTION • Always wear safety eyeglasses when using an air compressor.

• To allow a better cooling ventilation, the compressor shall be kept 12" minimum distance away from the closest wall and in a well-ventilated area.

• The environment temperature recommended for the compressor operation es from 32 °F to 95 °F

While operating the compressor

⚠ CAUTION • Do not aim the nozzles, sprinklers or the air jet towards people or animals.

⚠ WARNING • Never inhale the compressed air directly from the air compressor. It is not adequate as breathing air.

⚠ WARNING • Do not adjust the regulator above the maximum pressure marked in the accessory. Otherwise, the compressor may burst.

• Operate the compressor on a perfectly level surface.

• Keep the compressor well ventilated. Do not cover it while its running.


⚠ CAUTION • The compressor gets hot while running. Do not touch it or allow children get close during or immediately after using it. Do not user it without the motor cover. Work away from flammable objects or liquids.

• The air hose components may get hot during use. Leave them to cool down before disconnecting.

• Do not use the air hose to move the compressor.

• Do not leave the compressor connected to the power supply if not taking care of it during long periods of time. Disconnect the tool after working with it.

• Using accessories not recommended by

 **TRUPER** may result in personal injuries.

• Under the cover, high temperatures are produced, and there are moving parts. To prevent burns or other type of injuries, do not operate without having the cover in place. Give the compressor cooling-down time before handling or servicing.

• Do not release any of the connections when the tank is under pressure.

After using the compressor

• Remember, the unit starts automatically. Always turn OFF the compressor. Remove the plug from the power supply. Purge and release all the pressure from the system before servicing or when not in use.

• Periodically drain humidity from the tank. A clean and dry tank will help with corrosion.

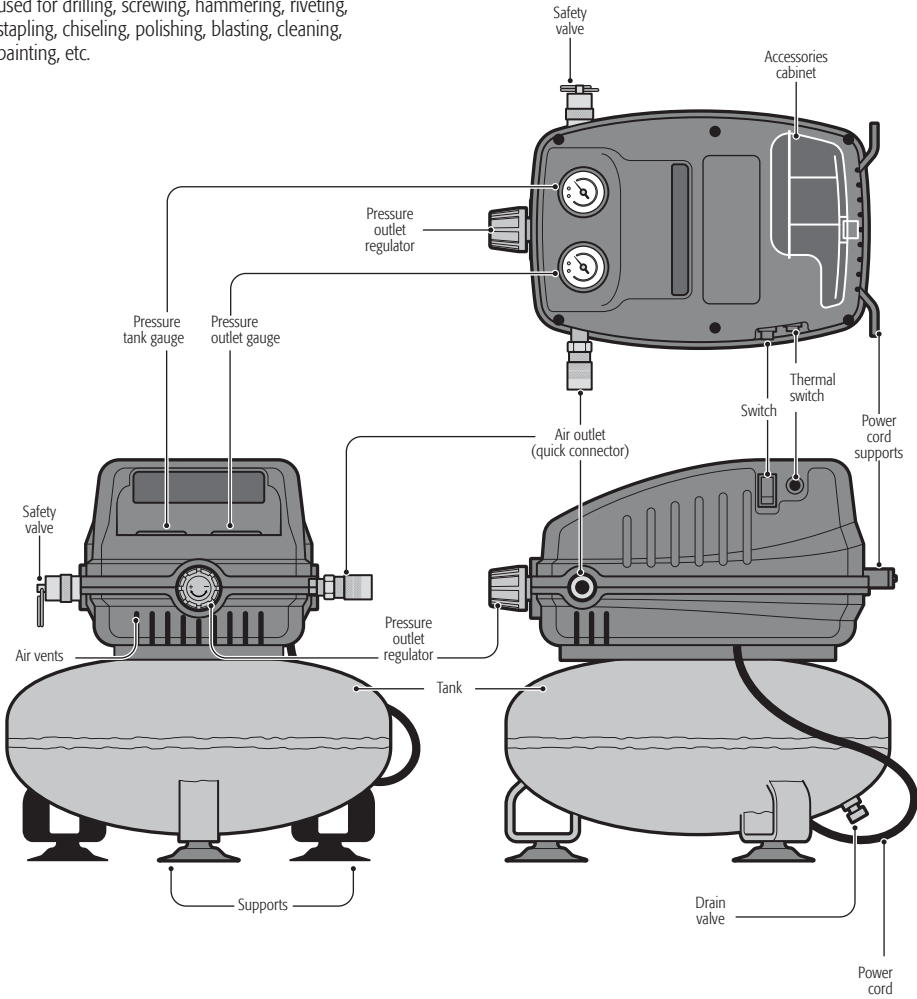
• Pull the pressure release valve ring daily to make sure it works correctly and to remove from the valve any obstruction.

• If transporting the compressor, fasten in adequately. Release the tank pressure before transporting.

• Protect the air hose and electric cable to detect weak or worn out points. Replace if necessary.



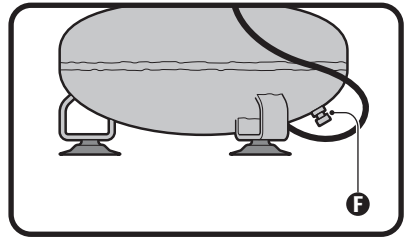
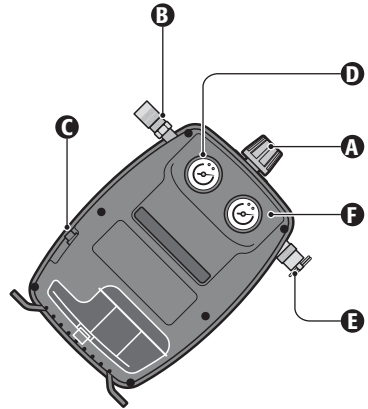
• The air compressor is useful to supply energy for pneumatic tools, as versatile as power tools. It can be used for drilling, screwing, hammering, riveting, stapling, chiseling, polishing, blasting, cleaning, painting, etc.



Turning ON and operation

⚠ CAUTION • Before operating the compressor, set it in a flat, level and solid surface, good ventilation and away of flammable object, for example, curtains or drapes. Leave 12" free space around the compressor to allow air to circulate.

- Turn the regulator (A) completely in a counterclockwise direction to close the air flow.
- Connect the air hose to the air outlet (B).
- Press the ON / OFF switch (C) into the OFF (O) position.
- Connect the power cable.
- Turn ON the equipment pressing the ON / OFF switch into ON (I) position. Let the compressor run until reaching the pressure of the automatic switch off.
- Set the pneumatic tool in the end of the hose.
- Turn the regulator until the gaug (D) indicates the adequate pressure for the pneumatic tool. Operate following the tool instructions.
- As the air in the tank empties, due to the use of the pneumatic tool, the compressor reboots automatically to keep the preset pressure. When the tool is used continuously, the compressor will have automatic ON / OFF cycles.
- The gaug (F) indicates the air pressure tank.



Turning OFF and storage

- Turn OFF the compressor pressing the ON / OFF switch into the OFF (O) position.
- Disconnect the power cable and tangle it in the handle to prevent damage when not in use.

⚠ CAUTION Never disconnect the compressor from the power supply to turn it OFF. If the power supply is accidentally interrupted, do not forget to press the switch OFF so the compressor is correctly turned off.

- Wear safety eyeglasses. Release the pressure from the tank pulling the safety valve ring (E). Use your other hand to divert the burst of air passing in your face.
- Drain the condensation in the tank opening the drain valve in the bottom of the tank (F). Pressure in the tank shall be below 68,9 kPa (10 PSI) when the tank drains.
- Disconnect the air hose from the compressor and leave the end open and hanging to drain condensation.
- The compressor and the hose shall be stored in a fresh and dry place.

Humidity in the compressed air

- Humidity inside the tank can get condensed and produce droplets of water that get expelled with the compressed air. When humidity in the environment is high or when the compressor is used continuously during long periods of time, drain the tank constantly and install a humidity filter in the air hose, as close to the pneumatic tool or air gun as possible.

Cleaning and care

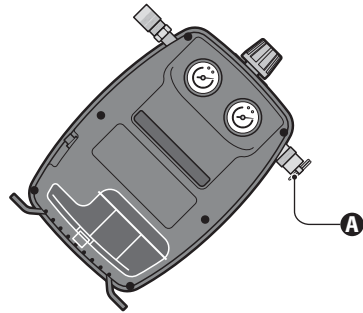
- Disconnect the equipment from the power supply and release all the pressure from the system before trying to install, servicing, relocate or carry out maintenance.
- Always have the vents clean and free of obstructions to guarantee an adequate motor cooling.
- Inspect regularly all the mounting screws and double check for tightness. If any of the screws is loose, tighten immediately.

Safety valve

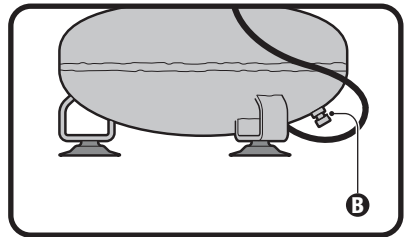
- Check the safety valve before each use.
- Wear safety eyeglasses.
- Turn ON the compressor and allow the tank to fill.
- When the compressor shuts OFF automatically, press the ON / OFF switch into the OFF position (O)
- Pull the safety valve ring a few seconds to release air. ALWAYS put your face away from the air stream. Release the ring.
- If air is leaking before releasing the ring, DO NOT use the compressor and go to a **TRUPER** Authorized Service Center to replace the safety valve.



⚠ DANGER • Using the compressor with a valve in bad repair may result in death or severe body injuries.

**Maintenance**

- After each use, disconnect the compressor and release the air pressure from the tank by pulling the safety valve ring (A).
- After releasing all pressure, open the drain valve (B) to remove the water stored in the tank by condensation.

**Service**

- Any other service or repair to the compressor shall be carried out in a **TRUPER** Authorized Service Center. Service and maintenance carry out by non-certified people may cause personal injuries and make the Warranty void.


Problem

Cause

Solution



The motor is not working.

- There is no power.
- Blown fuse.
- Thermal switch activated.
- Pressure switch is failing.

- Make sure the power cable is connected. Check the fuse – circuit breaker.
- Replace the blown fuse of installation.
- Turn OFF the compressor and wait a couple of seconds to let the thermal switch to recover. Later turn ON the compressor.
- Go to a  **TRUPER** Authorized Service Center.


The motor buzzes but is not working or works slowly.

- Voltage drops.
- Motor wiring in short or open.
- Faulty check valve or pressure switch.
- Compressed air in the cylinder.

- Check the voltmeter. Minimum voltage shall be 115 V ~
- Go to a  **TRUPER** Authorized Service Center.
- Go to a  **TRUPER** Authorized Service Center.
- Press the switch 15 seconds into the OFF position, Then, lift to the ON position.

Fuses blow. The circuit switch shoots repeatedly.

- Wrong capacity in the fuse, overloaded circuit.
- Faulty check valve or pressure switch.

- Check the right fuse is being used. Use a fuse with time delay. Disconnect other appliances in the same circuit. Operate the compressor using an independent circuit.
- Go to a  **TRUPER** Authorized Service Center.

The thermal overload protection causes interruptions repeatedly.

- Voltage drops.
- Clogged air filter.
- Lack of adequate ventilation.
- Environment temperature is too high.

- Check the voltmeter. Minimum voltage shall be 115 V~
- Clean the air filter.
- Move the compressor into an area with adequate ventilation.
- Move the compressor into an area with adequate ventilation.

Tank pressure drops when the motor stops.

- Loose connections (couplings, pipes, etc.).
- Drain valve is open.
- Leaks in the check valve.

- Check to detect air leaks. Use sealing tape in all the leaky connections.
- Tighten the drain valve.
- Disassemble the check valve. Clean or replace it.
- ⚠ DANGER** DO NOT DISASSEMBLE THE CHECK VALVE WHEN THERE IS AIR IN THE VALVE. FIRST, PURGE THE TANK TO RELEASE ALL THE PRESSURE.


Excessive humidity it the discharge air.

- Water in excess in the tank.
- High humidity.
- Admission filter is clogged.

- Drain the tank opening the drain valve.
- Move the compressor into an area with less humidity. Use a filter in the air piping.
- Clean or replace the filter.

The motor operates continuously without stopping.

- The pressure switch is failing.
- Excessive air use.
- Drain valve open

- Go to a  **TRUPER** Authorized Service Center to replace the pressure switch.
- The compressor is not big enough to satisfy the CFM requirements of the pneumatic tool you are using.
- Make sure the drain valve is completely closed

The compressor vibrates.

- Loose mounting knobs.
- The tank rubber base is not installed or is worn.

- Tighten all the knobs and screws.
- Install or replace the rubber base.

Air outlet is lower than normal.

- The drain valve is open.
- The admission filter is dirty.
- Leaks in one connection.

- Tighten the drain valve.
- Clean or replace the admission filter.
- Tighten the connections. Check to detect leaks. Replace damaged or broken hoses.

In the event of any problem contacting a Truper Authorized Service Center, please see our webpage www.truper.com to get an updated list, or call our toll-free numbers **800 690-6990** or **800 018-7873** to get information about the nearest Service Center.

AGUASCALIENTES **DE TODO PARA LA CONSTRUCCIÓN**
GRAL. BARRAGÁN #1201, COL. GREMIAL, C.P. 20050,
AGUASCALIENTES, AGS. TEL.: 449 994 0537

BAJA CALIFORNIA **SUCURSAL TIJUANA**
AV. LA ENCANTADA, LOTE #5, PARQUE INDUSTRIAL EL
FLORIDO II, C.P. 22244, TIJUANA, B.C.
TEL.: 664 969 5100

BAJA CALIFORNIA SUR **FIX FERRETERÍAS**
FELIPE ANGELES ESQ. RUIZ CORTINEZ S/N, COL. PUEBLO
NUEVO, C.P. 23670, CD. CONSTITUCIÓN, B.C.S.
TEL.: 615 132 1115

CAMPECHE **TORNILLERÍA Y FERRETERÍA AAA**
AV. ÁLVARO OBREGÓN #324, COL. ESPERANZA
C.P. 24080 CAMPECHE, CAMP. TEL.: 981 815 2808

CHIAPAS **FIX FERRETERÍAS**
AV. CENTRAL SUR #27, COL. CENTRO, C.P. 30700,
TAPACHULA, CHIS. TEL.: 962 118 4083

CHIHUAHUA **SUCURSAL CHIHUAHUA**
AV. SILVESTRE TERRAZAS #128-11, PARQUE INDUSTRIAL
BAFAR, CARRETERA MÉXICO CUAUHTÉMOC, C.P. 31415,
CHIHUAHUA, CHIH. TEL.: 614 434 0052

CIUDAD DE MÉXICO **FIX FERRETERÍAS**
EL MONSTRUO DE CORREGIDORA, CORREGIDORA # 22,
COL. CENTRO, C.P. 06060, CUAUHTÉMOC, CDMX.
TEL.: 55 5522 5051 / 5522 4861

COAHUILA **SUCURSAL TORREÓN**
CALLE METAL MECÁNICA #280, PARQUE INDUSTRIAL
ORIENTE, C.P. 27278, TORREÓN, COAH.
TEL.: 871 209 68 23

COLIMA **BOMBAS Y MOTORES BYMTESA DE MANZANILLO**
BLVD. MIGUEL DE LA MADRID #190, COL. 16 DE
SEPTIEMBRE, C.P. 28239, MANZANILLO, COL.
TEL.: 314 352 1986 / 352 8013

DURANGO **TORNILLOS ÁGUILA, S.A. DE C.V.**
MAZURIÑO #200, COL. LUIS ECHEVERRÍA, DURANGO,
DGO. TEL.: 618 817 1946 / 618 818 2844

ESTADO DE MÉXICO **SUCURSAL CENTRO JILOTEPEC**
PARQUE INDUSTRIAL # 1, COL. PARQUE INDUSTRIAL
JILOTEPEC, JILOTEPEC, EDO. DE MÉX. C.P. 54257
TEL.: 761 782 9101 EXT. 5728 Y 5102

GUANAJUATO **CÍA. FERRETERA NUEVO MUNDO S.A. DE C.V.**
AV. MÉXICO - JAPÓN #225, CD. INDUSTRIAL, C.P. 38010,
CELAYA, GTO. TEL.: 461 617 7578 / 79 / 80 / 88

GUERRERO **CENTRO DE SERVICIO ECLIPSE**
CALLE PRINCIPAL MZ I LT. 1, COL. SANTA FE, C.P. 39010,
CHILPANCIÑO, GRO. TEL.: 747 478 5793

HIDALGO **FERREPRECIOS S.A. DE C.V.**
LIBERTAD ORIENTE #304 LOCAL 50, INTERIOR DE PASAJE
ROBLEDO, COL. CENTRO, C.P. 43600, TULANCINGO,
HGO. TEL.: 775 755 6616 / 775 753 6616

JALISCO **SUCURSAL GUADALAJARA**
AV. ADOLFO B. HORN # 6800, COL: SANTA CRUZ DEL
VALLE, C.P.: 45655, TLAJOMULCO DE ZUÑIGA, JAL.
TEL.: 33 3606 5285 AL 90

MICHOACÁN **FIX FERRETERÍAS**
AV. PASEO DE LA REPÚBLICA #3140-A, COL.
EX-HACIENDA DE LA HUERTA, C.P. 58050, MORELIA,
MICH. TEL.: 443 334 6858

MORELOS **FIX FERRETERÍAS**
CAPITÁN ANZURES #95, ESQ. JOSÉ PERDIZ, COL.
CENTRO, C.P. 62740, CUAUTLA, MOR.
TEL.: 735 352 8951

NAYARIT **HERRAMIENTAS DE TEPIC**
MAZATLAN #117, COL. CENTRO, C.P. 63000, TEPIC, NAY.
TEL.: 311 258 0540

NUEVO LEÓN **SUCURSAL MONTERREY**
CARRETERA LAREDO #300, 1B MONTERREY PARKS,
COLONIA PUERTA DE ANAHUAC, C.P. 66052, ESCOBEDO,
NUEVO LEÓN, TEL.: 81 8352 8791 / 81 8352 8790

OAXACA **FIX FERRETERÍAS**
AV. 20 DE NOVIEMBRE #910, COL. CENTRO, C.P. 68300,
TUXTEPEC, OAX. TEL.: 287 106 5092

PUEBLA **SUCURSAL PUEBLA**
AV. PERIFÉRICO #2-A, SAN LORENZO ALMECATLA,
C.P. 72710, CUAUHTLACINGO, PUE.
TEL.: 222 282 8282 / 84 / 85 / 86

QUERÉTARO **ARU HERRAMIENTAS S.A. DE C.V.**
AV. PUERTO DE VERACRUZ #110, COL. RANCHO DE
ENMEDIO, C.P. 76842, SAN JUAN DEL RÍO, QRO.
TEL.: 427 268 4544

QUINTANA ROO **FIX FERRETERÍAS**
CARRETERA FEDERAL MZ. 46 LT. 3 LOCAL 2, COL. EJIDAL,
C.P. 77710 PLAYA DEL CARMEN, Q.R.
TEL.: 984 267 3140

SAN LUIS POTOSÍ **FIX FERRETERÍAS**
AV. UNIVERSIDAD #1850, COL. EL PASEO, C.P. 78320,
SAN LUIS POTOSÍ, S.L.P. TEL.: 444 822 4341

SINALOA **SUCURSAL CULIACÁN**
AV. JESÚS KUMATE SUR #4301, COL. HACIENDA DE LA
MORA, C.P. 80143, CULIACÁN, SIN.
TEL.: 667 173 9139 / 173 8400

SONORA **FIX FERRETERÍAS**
CALLE 5 DE FEBRERO #517, SUR LT. 25 MZ. 10, COL.
CENTRO, C.P. 85000, CD. OBREGÓN, SON.
TEL.: 644 413 2392

TABASCO **SUCURSAL VILLAHERMOSA**
CALLE HELIO LOTES 1, 2 Y 3 MZ. #1, COL. INDUSTRIAL,
2A ETAPA, C.P. 86010, VILLAHERMOSA, TAB.
TEL.: 993 355 7244

TAMAULIPAS **VM ORINGS Y REFACCIONES**
CALLE ROSITA #527 ENTRE 20 DE NOVIEMBRE Y GRAL.
RODRIGUEZ, FRACC. REYNOSA, C.P. 88780, REYNOSA,
TAMS. TEL.: 899 926 7552

TLAXCALA **SERVICIOS Y HERRAMIENTAS INDUSTRIALES**
PABLO SIDAR #132, COL. BARRIO DE SAN BARTOLOMÉ,
C.P. 90970, SAN PABLO DEL MONTE, TLAX.
TEL.: 222 271 7502

VERACRUZ **LA CASA DISTRIBUIDORA TRUPER**
BLVD. PRIMAVERA, ESQ. HORTENSIA S/N, COL.
PRIMAVERA, C.P. 93308, POZA RICA, VER.
TEL.: 782 825 8100 / 826 8484

YUCATÁN **SUCURSAL MÉRIDA**
CALLE 33 #600 Y 602, LOCALIDAD ITZINCAB Y MULSAV,
MPIO. UMAN, C.P. 97390, MÉRIDA, YUC.
TEL.: 999 912 2451

Code	Model	Brand
13824	COMP-12S	 TRUPER®

Warranty. Duration: 1 year. Coverage: parts, components and workmanship against manufacturing or operating defects, except if used under conditions other than normal; when it was not operated in accordance with the instructive; was altered or repaired by personnel not authorized by **Truper®**. To make the warranty valid, present the product, stamped policy or invoice or receipt or voucher, in the establishment where you bought it or in Corregidora 22, Centro, Cuauhtémoc, CDMX, 06060, where you can also purchase parts, components, consumables and accessories. It includes the costs of transportation of the product that derive from its fulfillment of its service network. . Phone number **800-018-7873**. Made in China. Imported by Truper, S.A. de C.V. Parque Industrial 1, Parque Industrial Jilotepec, Jilotepec, Edo. de Méx. C.P. 54257, Phone number 761 782 9100.

**1
YEAR**

Stamp of the business. Delivery date:



1
AÑO

Sello del establecimiento comercial. Fecha de entrega:

Garantía. Duración: 1 año. Cobertura: piezas, componentes y mano de obra contra defectos de fabricación o funcionamiento, excepto si se usó en condiciones distintas a las normales; cuando no fue operado conforme a las instrucciones; fue alterado o reparado por personal no autorizado por **Truper**. Para hacer efectiva la garantía presente el producto, póliza sellada o factura o recibo o comprobante, en el establecimiento donde lo compró o en Corregidora 22, Centro, Cuauhtémoc, CDMX, 06060, donde también podrá adquirir partes, componentes, consumibles y accesorios. Incluye los gastos de transporte del producto que deriven de su cumplimiento de su red de servicio. Tel. **800-018-7873**. Made in/Hecho en China. Importador **Truper, S.A. de C.V.** Parque Industrial 1, Parque Industrial Jilotepec, Jilotepec, Edo. de Méx. C.P. 54257, Tel. 761 782 9100.

 **TRUPER**

Marca

COMP-12S

Modelo

13824

Código

Póliza de
Garantía

 **TRUPER**

En caso de tener algún problema para contactar un Centro de Servicio Autorizado Truper® consulte nuestra página www.truper.com donde obtendrá un listado actualizado, o llame al: 800 690-6990 o 800 018-7873 donde le informan

- MORELOS**
FIX FERRERÍAS
 CAPITAN ANZURES #95, ESCO. JOSÉ PERDIZ, COL. MAZATLÁN #117, COL. CENTRO, C.P. 63000, TEPIC, NAY.
 TEL.: 755 352 8951
- NAVARIT**
HERMIANITAS DE TEPIC
 MAZATLÁN #117, COL. CENTRO, C.P. 63000, TEPIC, NAY.
 TEL.: 511 258 0540
- NEUVO LEÓN**
SURCALA MONTERREY
 CARRETERA LÁREDO #500, 1B MONTERREY PARKS, COLONIA PUERTA DE ANAHUAC, C.P. 66052, ESCOBEDO, NUEVO LEÓN, TEL.: 81 8352 8791 / 81 8352 8790
- AXACACA**
FIX FERRERÍAS
 AV. 20 DE NOVIEMBRE #910, COL. CENTRO, C.P. 68500, TUXTEPEC, OAX. TEL.: 287 106 3092
- PUEBLA**
SURCALA PUEBLA
 AV. PÉREZ LEÓN #2-A, SAN LORENZO ALMECATLA, C.P. 72710, CUAUTLAQUINGO, PUE.
 TEL.: 222 282 8282 / 84 / 85 / 86
- QUERÉTARO**
ARU HERMIANITAS S.A DE C.V.
 AV. PUERTO DE VERACRUZ #110, COL. RANCHO DE ENMEDIÓ, C.P. 76842, SAN JUAN DEL RÍO, QRO.
 TEL.: 427 268 4454
- QUINTANA ROO**
FIX FERRERÍAS
 CARRETERA FEDERAL MZ. 46 LT. 3 LOCAL 2, COL. EJIDAL, C.P. 77710 PLAMA DEL CARMEN, Q.R.
 TEL.: 984 267 3140
- SAN LUIS**
FIX FERRERÍAS
 AV. UNIVERSIDAD #1850, COL. EL PASEO, C.P. 78320, SAN LUIS POTOSÍ, S.L.P. TEL.: 444 822 4341
- SINALOA**
SURCALA CUICUACÁN
 AV. JESÚS KUWATÉ SÚN #4301, COL. HACIENDA DE LA MORCA, C.P. 80145, CUICUACÁN, SIN.
 TEL.: 667 173 9139 / 173 8400
- SONORA**
FIX FERRERÍAS
 CALLE 5 DE FEBRERO #517, SUR LT. 25 MZ. 10, COL. CENTRO, C.P. 85000, CD. OBERGÓN, SON.
 TEL.: 644 413 2392
- TABASCO**
SURCALA VILLAHERMOSA
 CALLE HEILLO LOTES 1, 2 Y 3 MZ. #1, COL. INDUSTRIAL, 2A TÍAPA, C.P. 86810, VILLAHERMOSA, TAB.
 TEL.: 995 353 553 744
- TAMAULIPAS**
VM ORINOS REACCIONES
 CALLE ROSITA #527 ENTRE 20 DE NOVIEMBRE Y GARCÍA RODRÍGUEZ, FRACC. REYNOSA, C.P. 88780, REYNOSA, TAM.S. TEL.: 899 999 926 7522
- TLAXCALA**
SERVICIOS Y HERRAMIENTAS INDUSTRIALES
 PARVIL SIDAR #132, COL. BARRIO DE SAN BARTOLOMÉ, C.P. 90970, SAN PABLO DEL MONTE, TLAX.
 TEL.: 222 271 7502
- VERACRUZ**
LA CASA DISTRIBUIDORA TRUPER
 BLVD. PRIMAVERA ESCO. HORTENSIA S/N, COL. PRIMAVERA, C.P. 93308, POZA RICA, VER.
 TEL.: 782 823 8100 / 826 8484
- YUCATÁN**
SURCALA MÉRIDA
 CALLE 33 #600 Y 602, LOCALIDAD ITZINCA Y MUSAY, MPÍO. UMMÁN, C.P. 97390, MÉRIDA, YUC.
 TEL.: 999 912 2451

- AGUASCALIENTES**
DE TODO PARA LA CONSTRUCCION
 GRAL. BARCÁÑAN #1201, COL. CREMALLA, C.P. 20300, AGUASCALIENTES, AGS. TEL.: 449 994 0537
- BAJA CALIFORNIA**
SURCALA TIJUANA
 AV. LA ENCANTADA, LOTE #5, PARQUE INDUSTRIAL EL FLORIDO II, C.P. 22244, TIJUANA, B.C.
 TEL.: 664 969 5100
- BAJA CALIFORNIA SUR**
SURCALA BAJA
 FELIPE ÁNGELÉS ESCO. RUIZ CONTRERAS S/N, COL. PUEBLO NUEVO, C.P. 23670, CD. CONSTITUCIÓN, B.C.S.
 TEL.: 613 132 1115
- CAMPESHE**
TORNILLERÍA Y FERRERÍA AAA
 AV. ALVARO OBREGÓN #324, COL. ESPERANZA C.P. 24080 CAMPESHE, CAMP. TEL.: 981 815 2808
- CHIHUAHUA**
FIX FERRERÍAS
 TAPACHULA, CHIS. TEL.: 962 118 4083
- CHIHUAHUA**
SURCALA CHIHUAHUA
 AV. SIESTEZA TERRAZAS #128-11, PARQUE INDUSTRIAL BARRA CARRETERA MEXICO CUAUTLAQUINGO, C.P. 31415, CHIHUAHUA, CHIH. TEL.: 614 454 0052
- CIDUAD DE MEXICO**
FIX FERRERÍAS
 EL MONSTRUO DE CORRERDORA, CORRERDORA # 22, COL. CENTRO, C.P. 06060, CUAUHTEMOC, CDMX.
 TEL.: 55 5222 5031 / 522 4861
- COAHUILA**
SURCALA TORREÓN
 CALLE METAL MECÁNICA #280, PARQUE INDUSTRIAL ORIENTE, C.P. 27278 TORREÓN, COAH.
 TEL.: 871 209 68 23
- COLIMA**
BOMBAS Y MOTORES BYMTESS DE MANZANILLO
 MZCUILO #200, COL. LUIS ECHEVERRÍA, DURANGO, SEPTEMBER, C.P. 28239, MANZANILLO, COL.
 TEL.: 514 332 1986 / 332 8015
- DURANGO**
TORNILLAS AGUILA, S.A. DE C.V.
 MAZOU TEL.: 618 817 1946 / 618 818 2844
- ESTADO DE MEXICO**
SURCALA CENTRO JILOTEPEC
 PARQUE INDUSTRIAL # 1, COL. PARQUE INDUSTRIAL JILOTEPEC, JILOTEPEC, EDO. DE MEX. C.P. 54257
- MEXICO**
SURCALA CENTRO JILOTEPEC
 TEL.: 761 782 9101 EXT. 5728 Y 5102
- GUANAJUATO**
CLA FERRERÍA NUEVO MUNDO S.A. DE C.V.
 AV. MEXICO - IAPÓN #225, CD. INDUSTRIAL, C.P. 38010, CELAYA, GTO. TEL.: 461 617 7578 / 79 / 80 / 88
- GUERRERO**
CENTRO DE SERVICIO ECLIPSE
 CALLE PRINCIPAL MZ 1 LT. 1, COL. SANTA FE, C.P. 39010, CHILPANCIANGO, GRO. TEL.: 747 478 5793
- HIDALGO**
FIX FERRERÍAS
 LIBERTAD ORIENTE #504 LOCAL 30, INTERIOR DE PASAJE ROBLEDO, COL. CENTRO, C.P. 43600, TULANGINCO, HGO. TEL.: 775 753 6615 / 775 753 6616
- JALISCO**
SURCALA GUADALAJARA
 AV. ADOLFO B. HORN #800, COL. SANTA CRUZ DEL VALLE, C.P. 45653, TLAJAMULCO DE ZUÑIGA, JAL.
 TEL.: 33 3606 5285 14 90
- MICHOACÁN**
FIX FERRERÍAS
 AV. PASEO DE LA REPUBLICA #3140-A, COL. EXHACIENDA DE LA HUERTA, C.P. 58050, MORELIA, MICH. TEL.: 443 334 6888

Solución de problemas



Solución

Causa

Problema

El motor no funciona.

- No hay energía eléctrica.
- Fusible fundido.
- Interruptor térmico activado.
- Falta del interruptor de presión
- Acuda a un Centro de Servicio Autorizado **TRUPER**.

El motor zumba, pero no opera o funciona lentamente.

- Caída de tensión.
- Devanado del motor en corto o abierto.
- Falta de la válvula check o interruptor de presión
- Interruptor térmico activado
- Optima el botón del interruptor térmico para volver a restablecerlo
- Acuda a un Centro de Servicio Autorizado **TRUPER**.

Los fusibles se funden.

- Capacidad incorrecta del fusible, circuito sobrecargado.
- Falta de la válvula check o interruptor de presión
- Acuda a un Centro de Servicio Autorizado **TRUPER**
- Revise que se esté usando el fusible correcto. Use un fusible con demora de tiempo. Desconecte otros aparatos que estén en el mismo circuito, u opere el compresor usando un circuito independiente.

La protección de sobrecarga térmica ocasiona intercciones repetidamente.

- Caída de tensión.
- Falta de ventilación adecuada.
- La temperatura ambiente demasiado alta.
- Mueva el compresor a un área con ventilación adecuada.
- Mueva el compresor a un área con temperatura adecuada.
- Revise para detectar fugas de aire. Use cinta selladora en todas las conexiones con fugas.
- Apriete la válvula de drenaje.
- Desensamble la válvula check. Limpie o reemplácela.

La presión del tanque cae cuando se detiene el motor.

- Conexiones sueltas (coples, tubería, etc).
- Válvula de drenaje abierta.
- Fugas en la válvula check.
- Desensamble la válvula check. Limpie o reemplácela.
- **PELIGRO** NO DESENSAMBLE LA VÁLVULA CHECK CON AIRE EN EL TANQUE. PRIMERO PURGUE EL TANQUE PARA LIBERAR TODA LA PRESIÓN.

Humedad excesiva en el aire de descarga.

- Agua excesiva en el tanque.
- Drene el tanque abriendo la válvula de drenado.
- Mueva el compresor a un área con menos humedad. Use un filtro en la tubería de aire.
- Limpie o reemplace el filtro.

El motor opera continuamente sin detenerse.

- Falta del interruptor de presión
- Acuda a un Centro de Servicio Autorizado **TRUPER** para reemplazar el interruptor de presión
- Uso de aire excesivo.
- El compresor no es suficientemente grande para satisfacer los requerimientos de CFM de la herramienta neumática que se está usando.
- Válvula de drenaje abierta.

El compresor vibra.

- Hay pernos de montaje sueltos.
- Apriete todos los pernos y tornillos.
- La base de hule del tanque no está instalada o está desgastada.

Salida de aire menor a la normal.

- La válvula de drenaje está abierta.
- Fuga en una conexión.
- Apriete la válvula de drenaje.
- Apriete las conexiones, revise para detectar fugas de aire. Use cinta selladora en todas las conexiones con fugas. Reemplace las mangueras dañadas o rotas.

Mantenimiento

Limpieza y cuidados

- Desconecte el equipo del suministro eléctrico y libere toda la presión del sistema antes de intentar instalar, dar servicio, reubicar o dar mantenimiento.
- Siempre mantenga las ventillas limpias y libres de obstrucciones para garantizar un enfriamiento adecuado del motor.
- Inspeccione regularmente todos los tornillos de montaje y asegúrese de que estén apretados correctamente. En caso de que alguno de los tornillos esté suelto, aprételo inmediatamente.

Válvula de seguridad



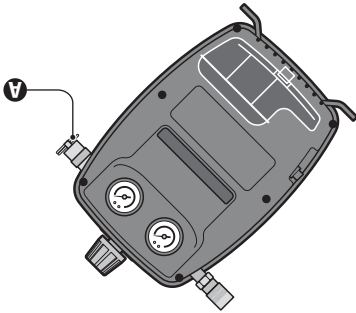
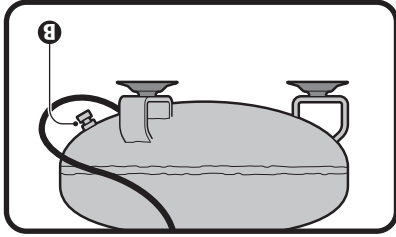
- Revise la válvula de seguridad antes de cada uso.
- Use lentes de seguridad.
- Encienda el compresor y permita que se llene el tanque. Cuando el compresor se apague automáticamente presione el interruptor ON / OFF en la posición OFF (0).
- Jale el anillo de la válvula de seguridad por unos segundos para liberar el aire. SIEMPRE aparte su rostro del paso del aire. Suelte el anillo.
- Si se fuga aire después que se suelta el anillo, o si la válvula se atora y no se puede accionar con el anillo NO use el compresor y acuda a un Centro de Servicio Autorizado **TRUPER** para reemplazar la válvula de seguridad.
- **PELIGRO** • El uso del compresor con una válvula en malas condiciones puede resultar en la muerte o lesiones corporales de gravedad.

Mantenimiento

- Después de cada uso desconecte el compresor y libere la presión de aire del tanque jalando el anillo de la válvula de liberación de presión (A).
- Después de liberar toda la presión, abra la válvula de drenaje (B) para eliminar el agua almacenada en el tanque por la condensación.

Servicio

- Cualquier otro servicio o reparación del compresor debe ser realizado únicamente en un Centro de Servicio Autorizado **TRUPER**. El servicio y mantenimiento realizado por personas no calificadas puede resultar peligroso y llegar a ocasionar daños personales además de invalidar la garantía del producto.



Encendido y operación

⚠ ATENCIÓN • Antes de operar el compresor colóquelo sobre una superficie plana, nivelada y sólida, con buena ventilación y alejado de objetos inflamables, como cortinas, etc. Deje un espacio de al menos 30,5 cm (12") alrededor del compresor para que circule el aire.

• Cierre el regulador (A) completamente en dirección contraria a las manecillas del reloj para cerrar el flujo de aire.

• Conecte la manguera de aire en la salida de aire (B).

• Presione el interruptor ON / OFF (C) en la posición OFF (O).

• Conecte el cable de alimentación.

• Encienda el equipo presionando el interruptor ON / OFF en la posición ON (I) y deje funcionar el compresor hasta que llegue a la presión de apagado automático.

• Coloque la herramienta neumática al final de la manguera.

• Cierre el regulador hasta que el manómetro (D) indique la presión adecuada para la herramienta neumática. Opere la herramienta según sus instrucciones.

• Conforme el aire se vacíe del tanque con el uso de la herramienta neumática, el compresor se reinicia automáticamente para mantener la presión preestablecida.

• Cuando la herramienta se usa continuamente, el compresor tendrá ciclos de apagado / encendido automáticamente.

• El manómetro (F) indica la presión de aire en el tanque.

Apagado y almacenaje

• Para apagar el compresor presione el interruptor ON / OFF en la posición OFF (O).

• Desconecte el cable de alimentación y enrédelo en el soporte para cable para prevenir daños cuando no esté en uso.

⚠ ATENCIÓN Nunca desconecte el compresor de la corriente eléctrica para apagarlo. Si el suministro eléctrico se corta accidentalmente, no olvide presionar el interruptor en la posición OFF (O) para apagar debidamente el compresor.

• Utilice la presión del tanque (E). Utilice la otra mano para desviar el aire rápido que pase por su rostró.

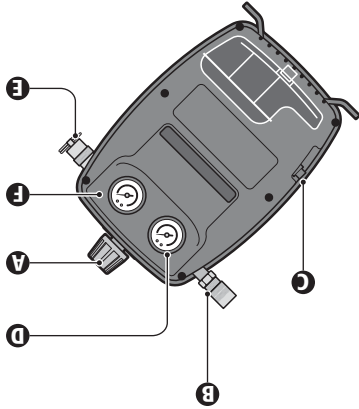
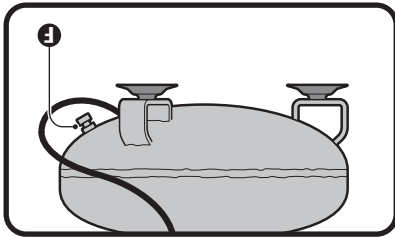
• La condensación del tanque abreando la válvula de drenaje en el fondo del tanque (F). La presión del tanque debe ser menor a 68,9 kPa (10 PSI) cuando drene el tanque.

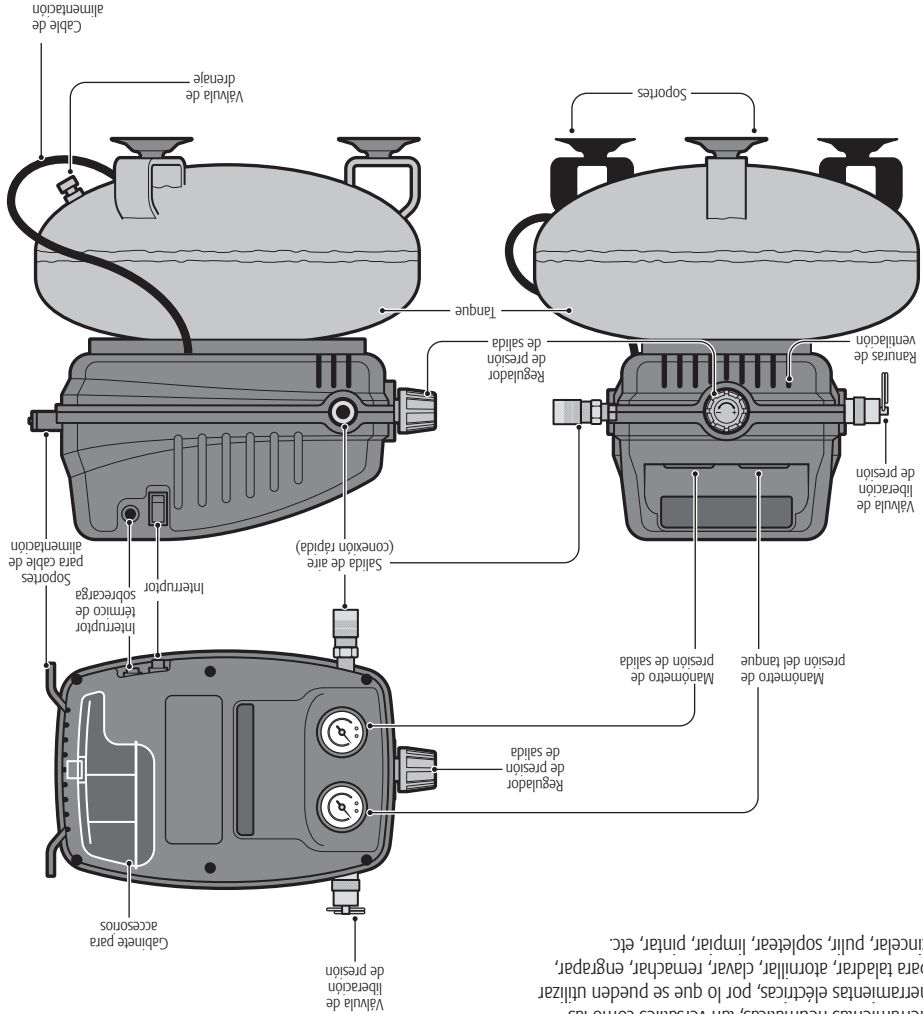
• Desconecte la manguera de aire del compresor y deje el extremo abierto colgado para drenar la condensación.

• El compresor y la manguera se deben almacenar en un sitio fresco y seco.

Humedad en el aire comprimido

La humedad en el interior del tanque se puede condensar y producir pequeñas gotas de agua que se expulsan junto con el aire comprimido. Cuando la humedad en el ambiente sea alta o cuando el compresor se use continuamente por periodos largos, se recomienda drenar el tanque constantemente e instalar un filtro de humedad en la manguera de aire tan cerca de la herramienta neumática o pistola de aire como sea posible.





• El compresor de aire sirve para proveer de energía a herramientas neumáticas, tan versátiles como las para taladrar, atornillar, clavar, remachar, engrapar, cincelar, pulir, sopletear, limpiar, pintar, etc.

Partes



Advertencias de Seguridad para uso de compresores neumáticos

Antes de usar el compresor

⚠ ATENCIÓN • El equipo puede ser una fuente de

ignición al ser operado. Mantenga el equipo al menos 6 metros (18 pies) alejado de vapores explosivos como gasolina u otros solventes. Siempre opere el equipo en un área adecuadamente ventilada. No opere en espacios cerrados. No fume mientras trabaja. No rodee en ambientes inflamables. Mantenga el compresor tan lejos como sea posible del área de aspiración.

⚠ ATENCIÓN • Los solventes como el tricloroetano y el cloro de metileno pueden reaccionar químicamente con el aluminio utilizados en las pistolas de aspiración y pintura, bombas para pintura, etc. y pueden ocasionar una explosión. Si está usando estos solventes, use solamente equipo de aspiración de acero inoxidable. Esto no afecta al compresor de aire, pero puede afectar el equipo que se está usando.

⚠ PELIGRO • Por ningún motivo realice trabajos de soldadura en el tanque de aire del compresor, ya que se puede crear una condición extremadamente peligrosa. Si se realiza un trabajo de soldadura en el tanque, se anulará la garantía.

⚠ PELIGRO • Nunca use el compresor en exteriores cuando esté lloviendo o en superficies mojadas, ya que puede ocurrir una descarga eléctrica.

⚠ ATENCIÓN • Revise la presión máxima especificada por el fabricante para las herramientas y accesorios neumáticos. La presión de salida del compresor debe ser regulada, de manera que nunca se exceda la presión máxima especificada.

• Mantenga las etiquetas y placas de información. Contiene información importante de seguridad. En caso que no se puedan leer o falten, contacte a un Centro de Servicio Autorizado **TRUPER** para conseguir repuestos.

⚠ ATENCIÓN • No modifique el compresor o la válvula de liberación de presión por ninguna razón. Hacerlo anulará la garantía. Fueron ajustados de fábrica a la presión máxima de esta unidad.

⚠ ATENCIÓN • Agregarse de leer todas las etiquetas de las pinturas o materiales tóxicos que están rotando, y siga las instrucciones de seguridad. Use un respirador si existe la posibilidad de que inhale el material que está rotando. Lea las instrucciones del respirador para asegurarse que le proporcionará la protección adecuada.

⚠ ATENCIÓN • Siempre use anteojos de seguridad cuando use un compresor de aire. • Para permitir una ventilación adecuada para la entranamiento, el compresor debe mantenerse a una distancia mínima de 30,5 cm (12") de la pared más cercana, en un área adecuadamente ventilada. • La temperatura ambiente recomendada para la operación del compresor es de 0 °C a 35 °C.

Mientras opera el compresor

⚠ ATENCIÓN • No dirija las boquillas, aspiradores o el chorro de aire hacia personas o animales.

⚠ ADVERTENCIA • Nunca inhale directamente el aire comprimido producido por el compresor de aire. No es adecuado como aire respirable.

⚠ ADVERTENCIA • No ajuste el regulador más arriba que la presión máxima de presión marcada en el accesorio, de lo contrario el compresor podría reventar. • Opere el compresor en una superficie nivelada. • Mantenga el compresor bien ventilado. No lo cubra durante su uso.

⚠ ATENCIÓN • El compresor se calienta durante la operación. No lo toque ni permita que los niños se acerquen durante o inmediatamente después de utilizarlo. No lo utilice sin la cubierta del motor. Trabaje lejos de objetos o líquidos inflamables.

• Los componentes de la manguera de aire pueden calentarse durante el uso. Permita que se enfríen antes de desconectarlas. • No utilice la manguera de aire para mover el compresor. No deje el compresor conectado al suministro eléctrico cuando esté desatendido por largos periodos de tiempo. Desconecte la herramienta después de trabajar con ella.

• El uso de accesorios no recomendados por **TRUPER** puede tener como resultado lesiones personales.

• Se producen altas temperaturas y hay partes en movimiento abajo de la cubierta. Para evitar quemaduras u otro tipo de lesiones, no opere sin la cubierta en su lugar. Permita que se enfríen las partes del compresor antes de manejarlo o de darle servicio. • No libere ninguna de las conexiones cuando el tanque se encuentre bajo presión.

Después de usar el compresor

• Recuerde que la unidad arranca automáticamente. Siempre apague el compresor. Retire la clavija del sistema antes de darle servicio o cuando no esté en uso.

• Drene la humedad del tanque periódicamente. Un tanque limpio y seco ayudará a evitar corrosión. • Jale el anillo de la válvula de liberación de presión diariamente para asegurarse de que funcione correctamente y para retirar de la válvula cualquier obstrucción.

• Sujete el compresor adecuadamente si debe transportarlo. Libere la presión del tanque antes de hacerlo. • Proteja la manguera de aire y el cable eléctrico de daños y perforaciones. Inspeccione semanalmente para detectar puntos débiles o desgastados y reemplácelos de ser necesario.

Advertencias generales de seguridad para herramientas eléctricas

¡ADVERTENCIA! Lea detenidamente todas las advertencias de seguridad y todas las instrucciones que se enlistan a continuación. La omisión de alguna de ellas puede dar como resultado un choque eléctrico, incendio y/o daño serio.

Área de trabajo
Mantenga el área de trabajo limpia y bien iluminada.
Las áreas desordenadas y oscuras son propensas a accidentes.

No maneje la herramienta en ambientes explosivos, como en presencia de líquido, gas o polvo inflamables.
Las herramientas eléctricas producen chispas que pueden encender material inflamable.

Mantenga alejados a los niños y curiosos cuando opere la herramienta.
Las distracciones pueden hacer que pierda el control.

Seguridad eléctrica
La clavija de la herramienta debe coincidir con el tomacorriente. Nunca modifique una clavija. No use ningún tipo de adaptador para clavijas de herramientas puestas a tierra.
Cables modificados y enchufes diferentes aumentan el riesgo de choque eléctrico.

Evite el contacto del cuerpo con superficies puestas a tierra como tuberías, radiadores, cocinas eléctricas y refrigeradores.
Hay un mayor riesgo de choque eléctrico si el cuerpo está puesto a tierra.

No exponga la herramienta a la lluvia o condiciones de humedad.
No agua que ingresa en la herramienta aumenta el riesgo de choque eléctrico.

Evite el cable. Nunca use el cable para transportar, levantar o desconectar la herramienta. Mantenga el cable lejos del calor, aceite, orillas afiladas o piezas en movimiento.
Los cables dañados o enredados aumentan el riesgo de choque eléctrico.

Cuando maneje una herramienta en exteriores, use una extensión eléctrica adecuada para exteriores que reduzca el riesgo de choque eléctrico.
Si el uso de la herramienta en un lugar húmedo es inevitable, use una alimentación protegida por un interruptor de circuito de falla a tierra (GFCI).

El uso de un GFCI reduce el riesgo de choque eléctrico.
Este alerta, vigile lo que está haciendo y use el sentido común cuando maneje una herramienta. No la use si está cansado o bajo la influencia de drogas, alcohol o medicamentos.
Un momento de distracción mientras maneja la herramienta puede causar un daño personal.

Seguridad personal
Este alerta, vigile lo que está haciendo y use el sentido común cuando maneje una herramienta. No la use si está cansado o bajo la influencia de drogas, alcohol o medicamentos.
El uso de equipo de seguridad como lentes de seguridad, mascarilla antipolvo, zapatos antielectrificación, casco y protección para los oídos en condiciones apropiadas, reduce de manera significativa los daños personales.

Use la herramienta, sus componentes y accesorios de acuerdo con estas instrucciones y de la manera prevista para el tipo de herramienta, en condiciones de trabajo adecuadas.
El uso de la herramienta para aplicaciones diferentes para las que está diseñada podría causar una situación de peligro.

Servicio
Repare la herramienta en un Centro de Servicio Autorizado TRUPER usando sólo piezas de repuesto idénticas.
Para mantener la seguridad de la herramienta.

Almacene las herramientas fuera del alcance de los niños y no permita su manejo por personas no familiarizadas con las herramientas o con las instrucciones.
Las herramientas eléctricas son peligrosas en manos no entrenadas.
Dete mantenimiento a la herramienta. Compruebe que las partes móviles no estén desalineadas o trabadas, que no haya piezas rotas u otras condiciones que puedan afectar su operación. Repare cualquier daño antes de usar la herramienta. Muchos accidentes son causados por el escaso mantenimiento de las herramientas.

Mantenga los accesorios de corte afilados y limpios.
Los accesorios de corte en buenas condiciones son menos propensos de trabarse y más fáciles de controlar.
Use la herramienta, sus componentes y accesorios de acuerdo con estas instrucciones y de la manera prevista para el tipo de herramienta, en condiciones de trabajo adecuadas.

Use la herramienta, sus componentes y accesorios de acuerdo con estas instrucciones y de la manera prevista para el tipo de herramienta, en condiciones de trabajo adecuadas.
El uso de la herramienta para aplicaciones diferentes para las que está diseñada podría causar una situación de peligro.

Los niños deben de estar bajo supervisión para asegurarse de que no jueguen con la máquina. Se debe de mantener una estricta supervisión con los niños o personas discapacitadas que lleguen a utilizar cualquier tipo de aparato electrodoméstico o estén cerca de él.

Esta herramienta cumple con la Norma Oficial Mexicana (NOM).
Esta herramienta cumple con la Norma Oficial Mexicana (NOM).



Especificaciones técnicas



COMP-125

Código	13824
Descripción	Compresor de aire libre de aceite
Tensión	127 V ~
Corriente	1.7 A
Potencia del motor	250 W (1/3 Hp)
Peso	8 kg
Conexiones de aire	6.5 mm (1/4") acople rápido
Máxima presión	700 kPa (100 PSI)
Flujo de aire	22.6 L/min - 275.7 kPa (0.8 CFM - 40 PSI) 14.1 L/min - 620.5 kPa (0.5 CFM - 90 PSI)
Capacidad del tanque	12 litros (3.1 gal)
Conductores	18 AWG x 3C con temperatura de aislamiento de 105 °C
Aislamiento	Clase I
Grado IP	IP20

El cable de alimentación tiene sujeta-cables tipo: Y
La clase de construcción de la herramienta es: Aislamiento básico.
La clase de aislamiento térmico de los devanados del motor: Clase B

ADVERTENCIA

Si el cable de alimentación se daña, éste debe ser reemplazado por el fabricante o Centro de Servicio Autorizado **TRUPER**, con el fin de evitar algún riesgo de descarga o accidente considerable.

La construcción del aislamiento eléctrico de esta herramienta es alterado por salpicaduras o derramamiento de líquidos durante su operación. No la exponga a la lluvia, líquidos y/o humedad.

ADVERTENCIA

Antes de obtener acceso a las terminales, todos los circuitos de alimentación deben ser desconectados.

Requerimientos eléctricos

ADVERTENCIA

La herramienta debe ser conectada a tierra mientras esté en uso para evitar una descarga eléctrica. • Enchufe la clavija dentro de un contacto o enchufe apropiadamente aterrizado como se muestra en el ejemplo A.

No todos los contactos o enchufes están apropiadamente aterrizados, si no está seguro verifique con un eléctrico calificado. • Si el contacto que planea usar para su

DE TIERRA DE SU CLAVIJA POR NINGÚN MOTIVO. Utilice un adaptador temporal

como se muestra en el ejemplo B y siempre conecte la oreja del conductor de tierra como se indica.

ADVERTENCIA

Al usar un cable de extensión, asegúrese de usar el calibre suficiente para transportar la corriente que consumirá su herramienta. Un cable de un calibre inferior ocasionará caídas de tensión en la línea, tenimiento o como resultado pérdida de potencia y sobrecalentamiento del motor. La siguiente tabla muestra el tamaño correcto que debe usarse dependiendo de la longitud del cable y de la capacidad de amperes indicada en la placa de datos de la herramienta. Si tiene dudas use el siguiente calibre más alto.

Capacidad en Amperes

Número de conductores

Calibre de extensión

de 0 A hasta 10 A	18 AWG(*)	de 1,8 a 15 m	mayor de 15 m
de 10 A hasta 13 A	16 AWG		
de 13 A hasta 15 A	14 AWG		
de 15 A hasta 20 A	8 AWG		

* Se permite utilizar siempre y cuando las extensiones mismas cuenten con un aterajo de protección contra sobrecorriente.
AWG = Calibre de alambre estadounidense (American Wire Gauge). Referencia: NMX-F-195-AWCE.

ADVERTENCIA

Al operar herramientas eléctricas en extensiones, utilice una extensión aterrizada marcada como "Uso exterior" marca **VOLTECK**. Estas extensiones son especiales para el uso en exteriores y reducen el riesgo de sufrir una descarga eléctrica.

ADVERTENCIA

Todo el cableado, las conexiones eléctricas y la conexión a tierra del sistema deben cumplir con la NORMA OFICIAL MEXICANA NOM-001-SEDE, INSTALACIONES ELÉCTRICAS

(UTILIZACIÓN) o con los códigos y ordenanzas locales. Debe emplear un electricista calificado.





Recomendaciones de uso y cuidados

3	Especificaciones técnicas
3	Requerimientos eléctricos
4	Advertencias generales de seguridad para herramientas eléctricas
5	Advertencias de Seguridad para uso de compresores neumáticos
6	Partes
7	Puesta en marcha
8	Mantenimiento
9	Solución de problemas
10	Notas
11	Centros de Servicio Autorizados
12	Póliza de Garantía

Para poder sacar el máximo provecho de la herramienta, alargar su vida útil, hacer válida la garantía en caso de ser necesario y evitar riesgos o lesiones graves, es fundamental leer este instructivo por completo antes de usar la herramienta.

Guarde este instructivo para futuras referencias. Los gráficos de este instructivo son para referencia, pueden variar del aspecto real de la herramienta.

ATENCIÓN

-  Realice **MANTENIMIENTO** periódico a su máquina (página 8).
-  **ENSAMBLE** las ruedas y el soporte frontal para mantener nivelado el compresor.
-  **SI EL COMPRESOR NO FUNCIONA DESPUÉS DE UN TIEMPO PROLONGADO DE INACTIVIDAD**, desactive el interruptor térmico como se indica en la etiqueta adherida al tanque. Si el compresor sigue sin funcionar o no gira, acuda a un Centro de Servicio Autorizado **TRUPER**.
-  **NUNCA EXCEDA** el nivel máximo de presión kPa (PSI) de la herramienta o accesorio a trabajar.

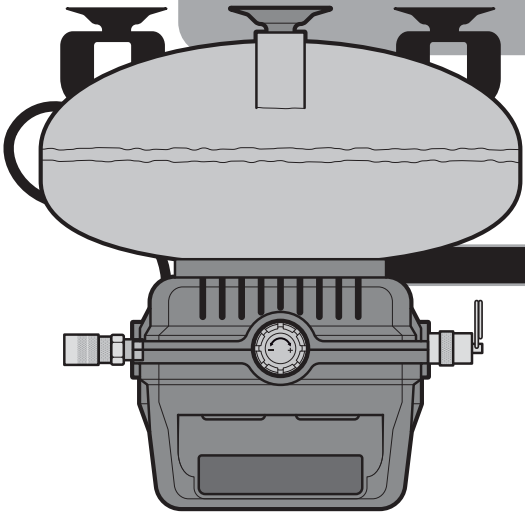


Lea este instructivo por completo antes de usar la herramienta.



ATENCIÓN

COMP-12S



13824 COMP-12S

Código Modelo

Este instructivo es para:

Compresor de aire libre de aceite

Instructivo de

700 kPa
(100 PSI)
Presión

TRUPER®



ESPAÑOL
ENGLISH