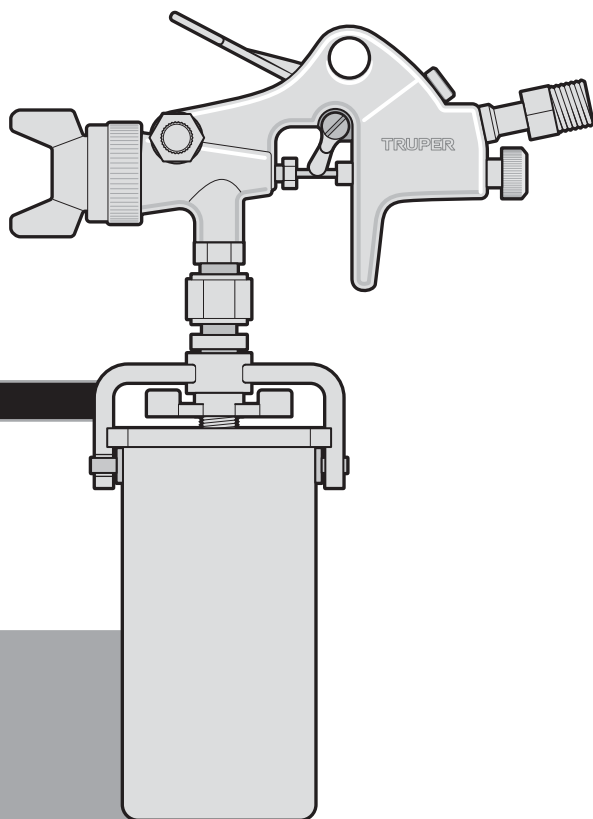


Manual

Touch-up Spray Gun

25 PSI - 50 PSI

Air Pressure



Applies for:

Code	Model
14088	PIPI-300



PIPI-300

CAUTION



Read the user's manual thoroughly before operating this tool.



Technical Data	2
Pneumatic Requirements	2
 Safety Warnings for the Use of Pneumatic Tools	3
 Safety Warnings for the Use of Spray Guns	4
Parts	5
Preparation	6
Start Up	7
Maintenance	8
Troubleshooting	9
Notes	10

Contents

CAUTION

To gain the best performance of the tool, prolong the duty life, make the Warranty valid if necessary, and to avoid hazards of fatal injuries please read and understand this Manual before using the tool.

Keep this manual for future references.

The illustrations in this manual are for reference only. They might be different from the real tool.


Technical Data

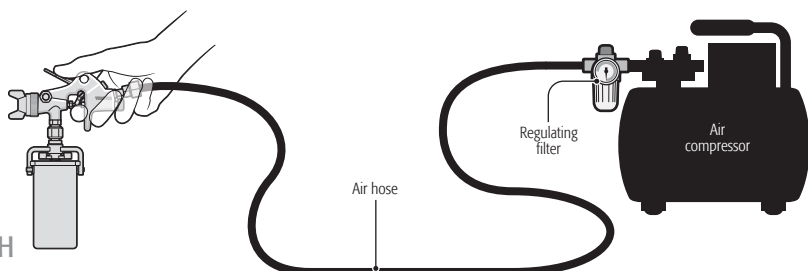
PIPI-300

Code	•	14088
Description	•	Touch-up spray gun
Jar Capacity	•	6.7 oz
Air Pressure	•	25 PSI - 50 PSI
Connection Diameter	•	1/4 NPT
Air Consumption	•	6 CFM
Nozzle Diameter	•	0.05"

Pneumatic Requirements

- For household jobs, it is possible to use 1.5 CV compressors with a 25 liters' deposit. For more demanding jobs, like bodywork, industry, etc., we recommend using 3 CV compressors with a 100-liter deposit as minimum.
- Use high-pressure hoses with the adequate length to do the job comfortably.

 **CAUTION** • Dust and water condensation inside the compressor tank can cause a deficient finish in the surface to be painted. To prevent that possibility, install a regulating filter between the compressor and the gun.



Safety Warnings

for the Use of Pneumatic Tools

Keep your work area clean, tidy and well lit.

CAUTION Cluttered and dark areas may cause accidents.



Never use the tool in explosive environments or near flammable liquids.

DANGER Sparks generated by the tool may cause explosion or fire.



Keep children and visitors at a safe distance when using the tool.

WARNING Distractions may cause losing control and cause accidents.



Avoid contact with power lines and circuits.

DANGER Find and avoid both power lines and circuits, especially hidden wires and grounded devices.



Stay alert, use care and common sense.

CAUTION Do not rely on your knowledge of the tool. Do not get distracted while operating it. It could cause accidents.



Do not use the tool when tired or under the influence of drugs, alcohol or medication.

DANGER One second of distraction while using the tool may cause severe injuries.



Use the tool with guards and protective devices in place and in good working conditions.

WARNING Failure to comply with these measures may cause severe injuries.



Secure and support the work piece properly.

CAUTION Use bench vices and a stable working area.

Do not force the tool.

CAUTION It will do the job better and safer at the rate for which it was intended.



Store the tool in a safe place away from the reach of children.

WARNING Pneumatic tools are dangerous in inexperienced hands.



Dress properly.

WARNING Loose clothing, jewelry or long hair may get caught in moving parts.



Keep your hands away from rotating and/or mobile parts.

WARNING Failure to comply with this safety measure exposes you to severe personal injury.



Use adequate personal protection.

CAUTION Using safety glasses, anti-dust mask, safety non-skid shoes, helmet and earplugs used in adequate conditions considerably reduce the risk of injury.



Disconnect the air hose from the tool servicing, changing devices or storing.

WARNING Reduce the risk of unintentional starting causing accidents.



Never use a tool if the switch is not working or is not properly assembled.

WARNING You are exposed to severe personal injury.



Do not overreach.

CAUTION Good footing and balance allow you to gain better control of the tool in unexpected situations.



Never pull the air hose.

WARNING Do not use it to carry or disconnect the tool pulling out the air supply. Damaged or tangled hoses can burst and shoot residues towards the operator.



Avoid accidental start up.

WARNING Make sure the air supply tool is switched off before connecting or moving the tool.



Remove vices before starting the tool.

DANGER Additional tools or vices set into a moving part may cause severe injury.




Service the tool and verify it is in excellent working conditions.

CAUTION Carefully check all moving parts, alignment and assembly. Make this periodically. Look for damaged or malfunctioning parts to immediately be repaired.



Accessories.

CAUTION Use only accessories or spare parts recommended in this MANUAL or certified by  TRUPER.



Never leave a running tool unattended.

CAUTION Switch off and disconnect the tool from the air supply after operating and before putting it aside. Avoid severe injury.



Substances and Materials

⚠ CAUTION • The unit is designed to apply covering materials like paint, varnish, enamel, etc. These should have an ignition point not lower than 70 °F. Check the product can label or container.

⚠ WARNING • Do not spray substances you are not familiar with and if their potential danger is unknown to you.

⚠ WARNING • Do not spray flammable substances.
• Use care with dangers originated by the sprayed substances. Read the text and information in the cans and containers or the manufacturer specifications.

Before operating the unit

⚠ CAUTION • The unit shall not be used in enclosed areas or explosive environments.
• If working outdoors consider wind direction. Wind carries the covering to great distances, causes damages and makes the job difficult.

⚠ CAUTION • If working indoors, verify there is adequate ventilation.

⚠ WARNING • The work area shall be free of any ignition source. Do not smoke while spraying or near the work area.

⚠ CAUTION • Wear a face mask and safety goggles when spraying. Prevents damaging lungs and eyes.
• Wearing gloves and an overall is recommended to protect hands and clothes from the product when applying.



While operating the device

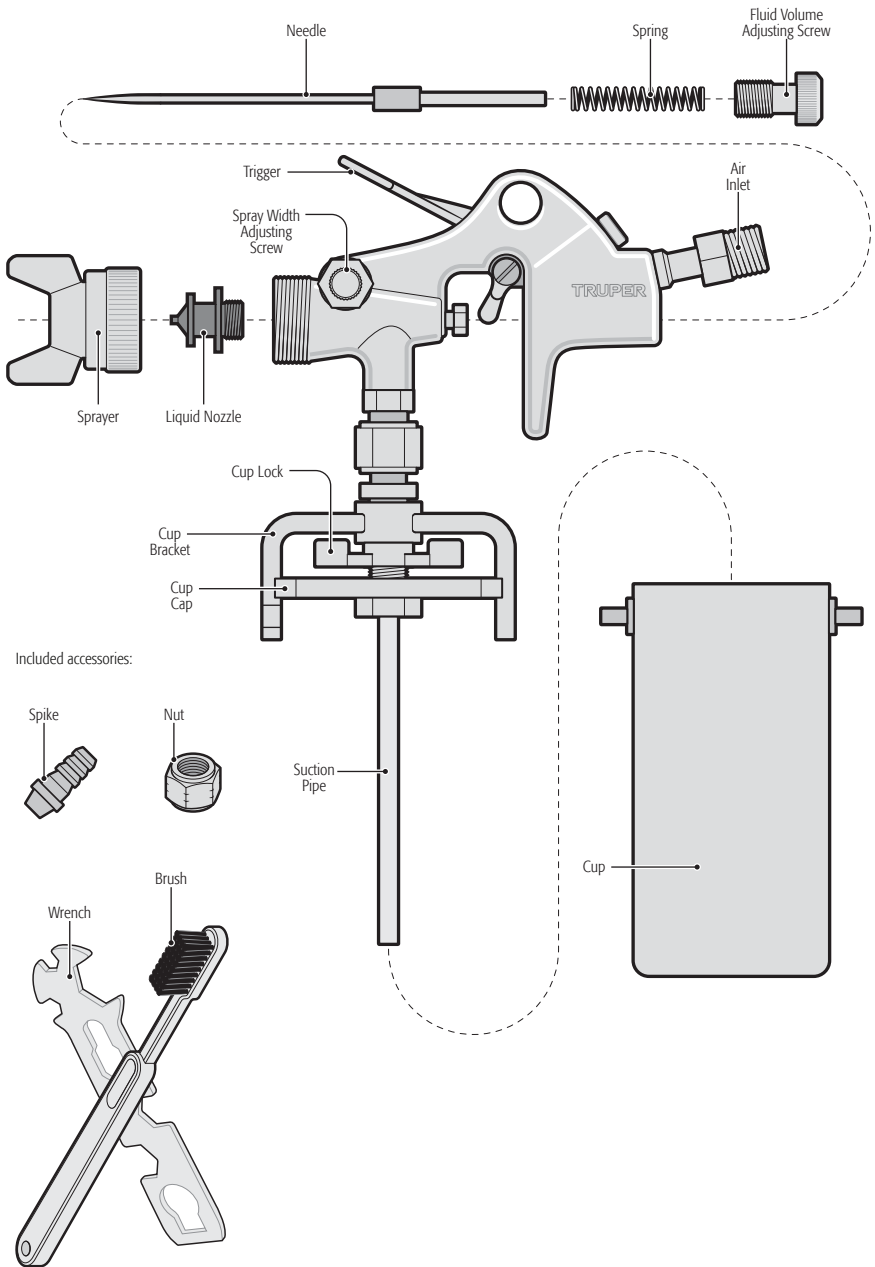
⚠ CAUTION • Never point the sprayer towards your body, passersby or animals.

• Make sure that the equipment does not absorb any steam solvent.

⚠ CAUTION • In the event you need to pause during the application process, do not set the sprayer sideways. Hold it by the hook of somewhere for it be vertical.

After operating the unit

⚠ WARNING • When finishing the job clean the gun perfectly to eliminate any product residue. Accumulations can damage the gun and cancel the Warranty



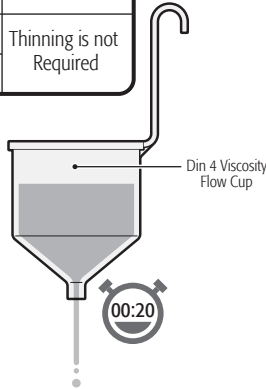
- To make a good job, it is important to prepare the surface to be sprayed. Thin the paint or product to gain the right viscosity before applying.
- Always double check the surface is free of dust, dirt or grease.
- Make sure to cover with adhesive tape, some newspaper and/or plastic those areas that do not require spraying.
- Paint or product to be sprayed shall be mixed perfectly before filling the jar to prevent they settle and to make them lump-free.
- Before buying the product read the manufacturer recommendations.

Thinning the material

- Most paints are sold ready to be used with a brush. They need to be thinned before applying with a spray gun. Follow the manufacturer's instructions to thin it.
- Adding a thinner is recommended. Add 5 to 10% until reaching the right viscosity to apply the material.
- Use the din 4 viscosity flow cup (not included) to determine right viscosity of the paint. Viscosity is determined by counting the seconds it takes for the material to be discharged into the measuring glass. The following table shows the recommended times for different products.

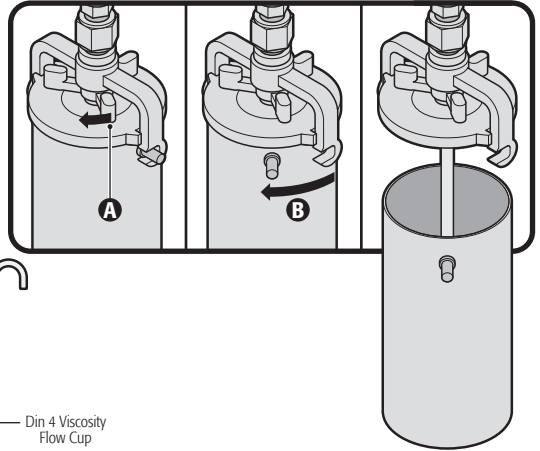
Product	Second to discharge
Water based Paint	20 - 25
Primer	24 - 28
Varnish	20 - 25
Oil Based Paint	18 - 22
Enamel Paint	18 - 22
Aluminum Paint	22 - 25
Automotive Sealant	25 - 35
Wood Sealant	28 - 35
Wood Preserver	Thinning is not Required
Wood Stain	

- If after thinning the product the dispersion capacity is too low, add thinner. Add slowly from 5 to 10 % until the dispersion capacity meets your needs.
- If the paint is too thick, the painted surface will be too rough (orange peel). If the paint is too liquid, there is risk of dripping.



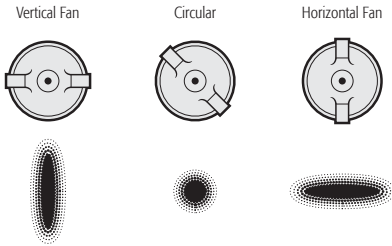
Filling the Cup

- To open the cup, release the cup lock (A). Turn the cup to release it from the bracket (B).
- Place the cup onto a newspaper. Fill the cup with the prepared covering material.
- Set the cup into the cap. Close it with the bracket and block it tightening the lock.



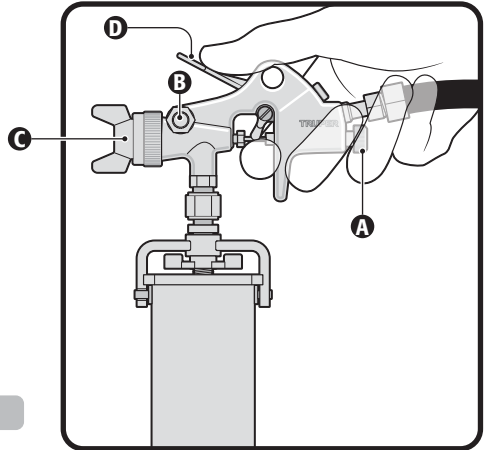
Volume Selector

- Turn the screw **(A)** to adjust the volume of the fluid to be sprayed.
- Turn the knob **(B)** to regulate the fan size to be sprayed.
- Turn the spryer **(C)** to change the fan angle.



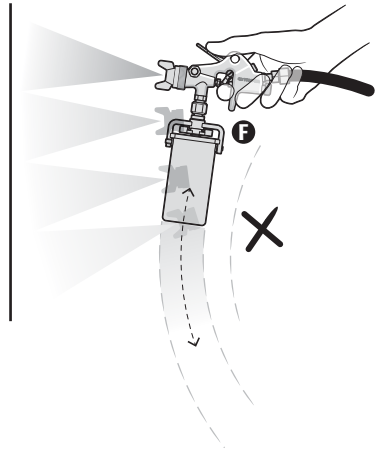
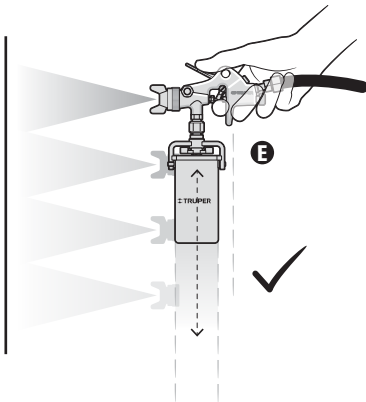
Start up

- Start the compressor.
- Press the trigger **(D)** to open the air flow and start suctioning the product from the jar. Point the paint gun towards a piece of cardboard until the spray flows.
- Release the trigger to stop the spray flow.



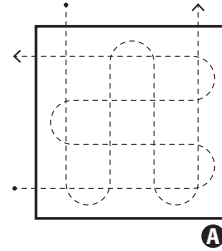
Spraying Tips (1)

- To get good results, keep the gun always level and parallel to the surface **(E)**. Keep the nozzle 6" - 7.8" and spray evenly from one side to the other and up and down. Do not spray in an angle **(F)**. Otherwise the paint may run through the surface. Go in light and uniform passes.



Spraying Tips (2)

- Move the gun in a constant and uniform speed. Fast movements produce thin layer and slow movements produce thick layers.
- Apply one layer at a time. If needing a second layer read the manufacturer drying recommendations before applying a second layer. Remember, to get a better finish apply two thin layer is better than applying a thick layer only.
- When spraying small areas turn the adjusting screw to lessen the volume of the material to be applied. This way using too much paint is prevented and also you will not spray in excess.
- To assure a uniform application, when possible, do not pause while spraying an object.
- Do not tilt the paint gun in an angle higher than 45°
- When spraying large areas use a crossed pattern (A).

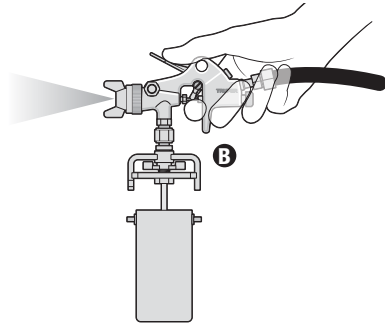


Maintenance

Cleansing and Care

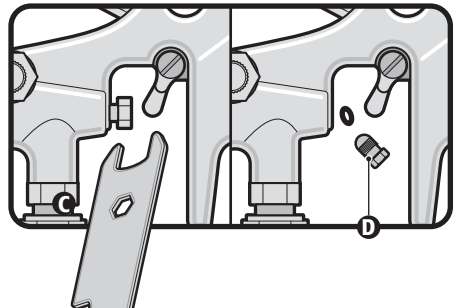
• It is very important to clean the spray gun thoroughly after each use.

- **⚠ WARNING** An inadequate cleansing can result in malfunctioning and will cancel the Warranty.
- Turn the jar to remove it from the gun. Do not remove completely. Press the trigger to remove remaining product from inside the spray gun system (B).
- Pour the remaining material into an adequate container.
- Disconnect the paint gun hose.
- Clean the jar, the gasket seal and the suction pipe thoroughly with a rag soaked with the solvent that is right for the product.
- Disassemble the regulator, the sprayer, the nozzle and the needle. Clean them with a brush and solvent.
- Clean the paint gun body with a piece of rag moistened with solvent.
- **⚠ CAUTION** Do not immerse the gun in solvent. The gasket may get damaged.
- When the parts are clean assemble back the spray gun.
- Pour a small amount of solvent into the jar.
- Connect the hose to the spray gun.
- Start the compressor and spray into a container until getting clean solvent out through the nozzle.



Needle Seal

- Use special care adjusting the needle seal. This is very important to obtain good results.
- Adjust the needle seal using a wrench (C).
- Periodically check the seal to be sure it is not damaged. To gain access to the seal remove the needle and remove the seal pressing piece (D).





Right Mist Pattern

Problem

Cause

Solution

Wrong Mist Patterns:



Half Moon

- Paint build up in the nozzle.

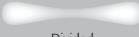
- Remove the obstructions from the nozzle.
- CAUTION** Do not use metal objects to clean the funnel orifices.



Tilted

- Paint build up in the nozzle or sperser.
- Damaged nozzle.
- Nozzle is poorly tightened.

- Remove obstructions from the nozzle and sperser.
- Replace the nozzle.
- Tighten the nozzle.



Divided

- Paint viscosity is too low.
- Fluid outlet is too high.

- Add paint to the mix.
- Adjust the paint flow regulator or the air flow.



Centered

- Paint viscosity is too high.
- Fluid outlet is too low.

- Add thinner to the mix.
- Adjust the paint flow regulator or the air flow.



Right Fan



Problem

Cause

Solution

Wrong Fan:

Fluctuation



- Air is entering between the nozzle and the gun body.
- Air is suctioned through the seal washer in the needle.

- Clean the nozzle and the joint with the gun. If damaged, replace the nozzle.
- Tighten the needle seal as indicated in page 8.

Divided



- The nozzle and the needle are not set correctly.
- The nozzle and / or needle is damaged.
- Fluid build up inside the gun system.

- Clean the nozzle and the needle.
- Replace the fluid nozzle and the fluid needle.
- Disassemble the gun parts and clean all the components.

Air leaks.

- Residues or damage in the air flow regulating knob system.
- Poorly tightened components.

- Disassemble the system to check, clean and tighten the air valve, its seat and washers. Replace any damaged part.

Fluid leaks.

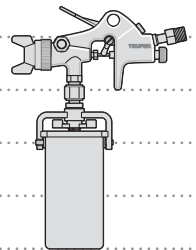
- Residues or damage in the nozzle and / or needle. Components poorly tightened.

- Disassemble the system to check, clean and tighten the air valve, its seat and washers. Replace any damaged part.

The fluid is not flowing.

- Fluid flow regulating screw has insufficient opening.
- Obstruction in the system.

- Turn the screw counterclockwise to increase flow.
- Disassemble the gun parts and clean all the components.

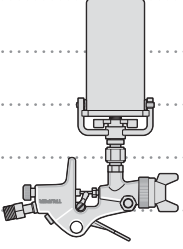


Imported by:
Truper, S.A. de C.V.
Parque Industrial 1, Parque Industrial Jilotepec, Jilotepec,
Edo. de Méx. C.P. 54257 Made in China, Tel.: 76 1782 9100.

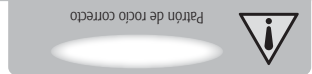
www.truper.com

10-2022

Importado por:
Truper, S.A. de C.V.
Parque Industrial 1, Parque Industrial Jilotepec, Jilotepec,
Edo. de Méx. C.P. 54257 Hecho en China, Tel.: 76 1782 9100.



Solución de problemas

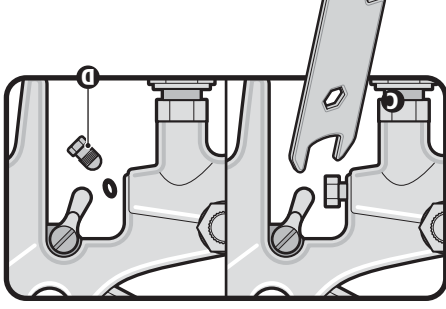


Problema	Causa	Solución
<p>Patrones de rocío incorrectos:</p> <p>Media luna</p>	<ul style="list-style-type: none"> • Acumulación de pintura en la boquilla o el aspersor. • Boquilla dañada. • Boquilla mal apretada. 	<ul style="list-style-type: none"> • Retire las obstrucciones de la boquilla. • Retire las obstrucciones de la boquilla. No use objetos de metal para limpiar los orificios del embudo.
<p>Inclinado</p>	<ul style="list-style-type: none"> • Viscosidad de pintura demasiado baja. • Salida de fluido demasiado alta. 	<ul style="list-style-type: none"> • Agregue pintura a la mezcla. • Ajuste el regulador de flujo de pintura o el de flujo de aire.
<p>Dividido</p>	<ul style="list-style-type: none"> • Viscosidad de pintura demasiado baja. • Salida de fluido demasiado alta. 	<ul style="list-style-type: none"> • Agregue diluyente a la mezcla. • Ajuste el regulador de flujo de pintura o el de flujo de aire.
<p>Centrado</p>	<ul style="list-style-type: none"> • Viscosidad de la pintura demasiado alta. • Salida del fluido demasiado baja. 	<ul style="list-style-type: none"> • Agregue diluyente a la mezcla. • Ajuste el regulador de flujo de pintura o el de flujo de aire.

Problema	Causa	Solución
<p>Abanicos incorrectos:</p> <p>Fluctuación</p> <p>Dividido</p>	<ul style="list-style-type: none"> • Entra aire entre la boquilla y el cuerpo de la pistola. • Se succiona aire por el empaque del sello de la aguja. • La boquilla y la aguja no están asentadas correctamente. • Boquilla y/o aguja dañadas. • Acumulación de pintura dentro del sistema de la pistola. 	<ul style="list-style-type: none"> • Limpie la boquilla y la aguja. • Reemplace la boquilla de fluido y la aguja de fluido. • Desmonte las piezas de la pistola y limpie todos sus componentes.
<p>Abanicos incorrectos:</p> <p>Fluctuación</p> <p>Dividido</p>	<ul style="list-style-type: none"> • Entra aire entre la boquilla y el cuerpo de la pistola. • Se succiona aire por el empaque del sello de la aguja. • La boquilla y la aguja no están asentadas correctamente. • Boquilla y/o aguja dañadas. • Acumulación de pintura dentro del sistema de la pistola. 	<ul style="list-style-type: none"> • Limpie la boquilla y la aguja. Si esta dañada, reemplace la boquilla. • Apriete el sello de la aguja como se indica en la página 8.

Problema	Causa	Solución
<p>Fugas de pintura.</p>	<ul style="list-style-type: none"> • Residuos o daños en la boquilla y/o aguja. Componentes mal apretados. 	<ul style="list-style-type: none"> • Desmonte el sistema para revisar, limpiar y apretar la boquilla, la aguja, su asiento y empaques. Reemplace cualquier parte dañada.
<p>Fugas de aire.</p>	<ul style="list-style-type: none"> • Residuos o daños en el sistema del tornillo regulador de flujo de aire. • Componentes mal apretados. 	<ul style="list-style-type: none"> • Desmonte el sistema para revisar, limpiar y apretar la válvula de aire, su asiento y empaques. Reemplace cualquier parte dañada.

Problema	Causa	Solución
<p>La pintura no fluye.</p>	<ul style="list-style-type: none"> • Tornillo regulador de flujo de pintura con abertura insuficiente. • Obstrucción en el sistema. 	<ul style="list-style-type: none"> • Gire el tornillo en sentido contrario a las manecillas del reloj para aumentar el flujo. • Desmonte las piezas de la pistola y limpie todos sus componentes.



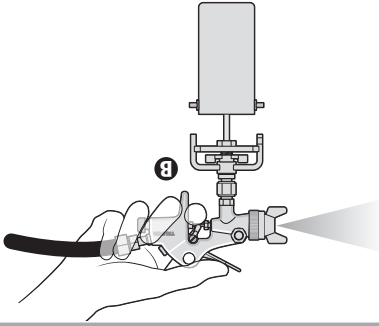
- Tenga especial cuidado con el ajuste del sello de la aguja. Es importante para un buen trabajo.
- Ajuste el sello de la aguja con ayuda de una llave (C).
- Revise el sello periódicamente para asegurarse que no presente daños, para tener acceso al sello retire la aguja y remueva la pieza opresora del sello (D).

Sello de la aguja

- Desmonte el regulador, el aspersor, la boquilla y la aguja para limpiarlos con un cepillo y solvente.
- Limpie el cuerpo de la pistola con un trapo humedecido con solvente.
- No sumerja la pistola en solvente o los empaques podrian dañarse.
- Una vez que las piezas estén limpias arme de nuevo la pistola.
- Vierta un poco del solvente en el vaso. Conecte la manguera a la pistola.
- Encienda el compresor y rocíe en un contenedor hasta que salga solvente limpio por la boquilla.

¡ATENCIÓN!

- Limpie el vaso, el empaque y el tubo de succión por completo con un trapo empapado en solvente adecuado para el producto que haya utilizado.
- Descargue la manguera de la pistola.
- Vacíe el material sobrante del vaso en un contenedor adecuado.

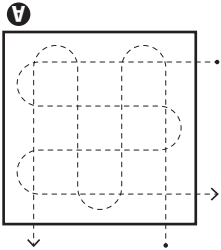


- Es muy importante limpiar la pistola por completo después de cada uso.
- Una limpieza inadecuada a la larga dará como resultado un mal funcionamiento e invalidará la garantía.
- Círe el vaso para retirarlo de la pistola. Sin retirar todo el producto del interior del sistema (B).
- Vacíe el material sobrante del vaso en un contenedor adecuado.
- Descargue la manguera de la pistola.
- Limpie el vaso, el empaque y el tubo de succión por completo con un trapo empapado en solvente adecuado para el producto que haya utilizado.

¡ADVERTENCIA!

Limpieza y cuidados

Mantenimiento

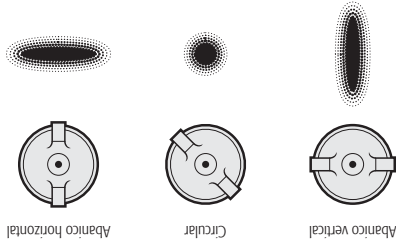


- Desplace la pistola a una velocidad constante y uniforme. Los movimientos rápidos producen capas delgadas y los movimientos lentos producen capas gruesas.
- Aplique una capa a la vez. En caso de requerir otra capa vea las recomendaciones de secado del fabricante del producto antes de aplicar una segunda capa. Recuerde que para un mejor acabado, aplicar dos capas delgadas siempre es mejor que aplicar solo una capa gruesa.
- Cuando rocíe áreas pequeñas gire el tornillo de ajuste para disminuir el volumen de material a aplicar. Con esto se evita utilizar demasiada pintura y previene sobre rociar.
- Siempre que sea posible evite hacer pausas durante el rociado de un objeto. Para asegurar una aplicación uniforme:
 - No incline la pistola para pintura en un ángulo mayor a 45°.
 - Cuando rocíe áreas grandes, utilice un patrón cruzado (A).

Consejos de rociado (2)

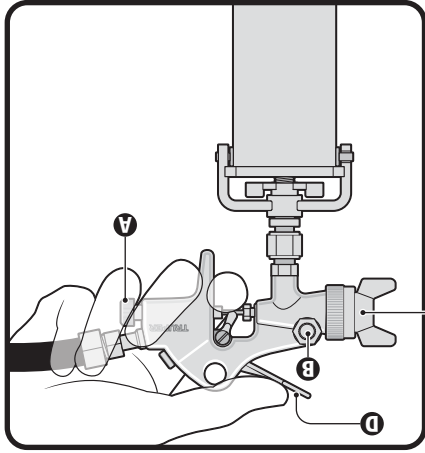
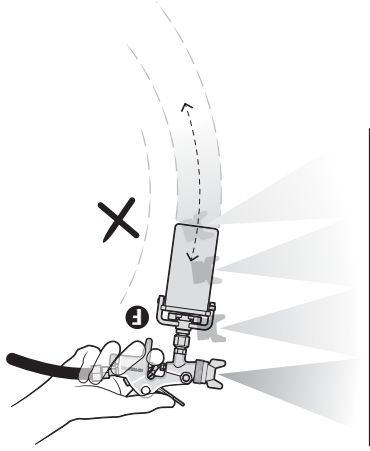
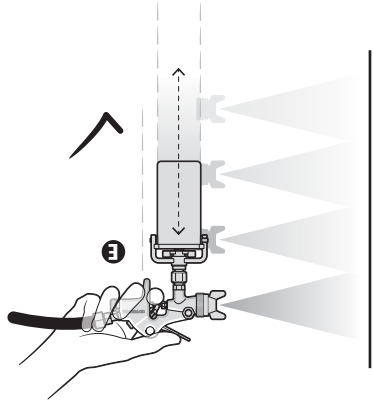
Regular la pistola

- Para regular el volumen de material a rociar abra o cierre la perilla de salida de pintura **(A)**.
- Para regular el tamaño del abanico de rocío abra o cierre la perilla **B**.
- Para determinar el ángulo de la huella del abanico (vertical/horizontal) gire la boquilla **(C)**.



Consejos de rociado (1)

- Para obtener un buen resultado mantenga siempre la pistola nivelada y paralela a la superficie **(E)**. Mantenga la boquilla a 15 cm - 20 cm de la superficie y rocíe de manera pareja de un lado al otro y de arriba hacia abajo. No rote en ángulo, de lo contrario la pintura podría correrse por la superficie **(F)**. Dé pasadas suaves y uniformes.



- Encienda el compresor.
- Presione el gatillo **(D)** para abrir el flujo de aire y comience a succionar el producto del vaso. Apunte la pistola hacia un pedazo de cartón hasta que saiga el rocío del producto.
- Suelte el gatillo para detener el flujo de rocío.

Encendido

Preparación

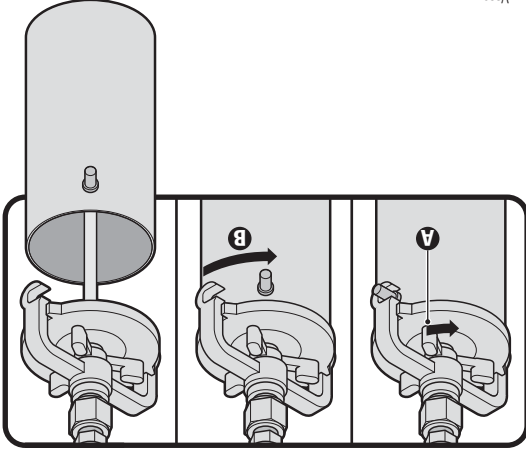
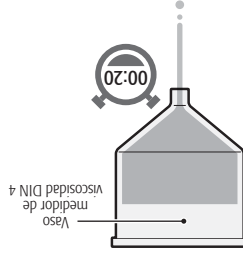
- Para obtener un buen trabajo es importante que prepare la superficie a rociar y adegace la pintura o producto para que obtenga la viscosidad correcta antes de su aplicación.
- Confirme siempre que la superficie a rociar esté libre de polvo, suciedad y grasa.
- Asegúrese de cubrir las áreas que no requiera rociar con cinta adhesiva, peridóico y/o plástico.
- La pintura o producto a rociar debe removerse antes de llenar el vaso para evitar asentamientos y debe estar libre de grumos u otras partículas.
- Revise siempre las recomendaciones del fabricante del producto antes de comprarlo.

Adegazamiento del material

- La mayoría de las pinturas se venden listas para su aplicación con brocha y necesitan ser adegazadas antes de ser adecuadas para su aplicación con pistola. Siga las instrucciones del fabricante del producto para adegazarlo adecuadamente.
- Se recomienda agregar un diluyente del 5 al 10% hasta alcanzar la viscosidad adecuada para aplicar el material.
- Utilice un vaso medidor de viscosidad DIN 4 (no incluido) para determinar la viscosidad correcta de la pintura. La viscosidad se determina contando los segundos que tarda el material en ser descargado del vaso medidor. La siguiente tabla muestra los tiempos recomendados para diferentes productos.

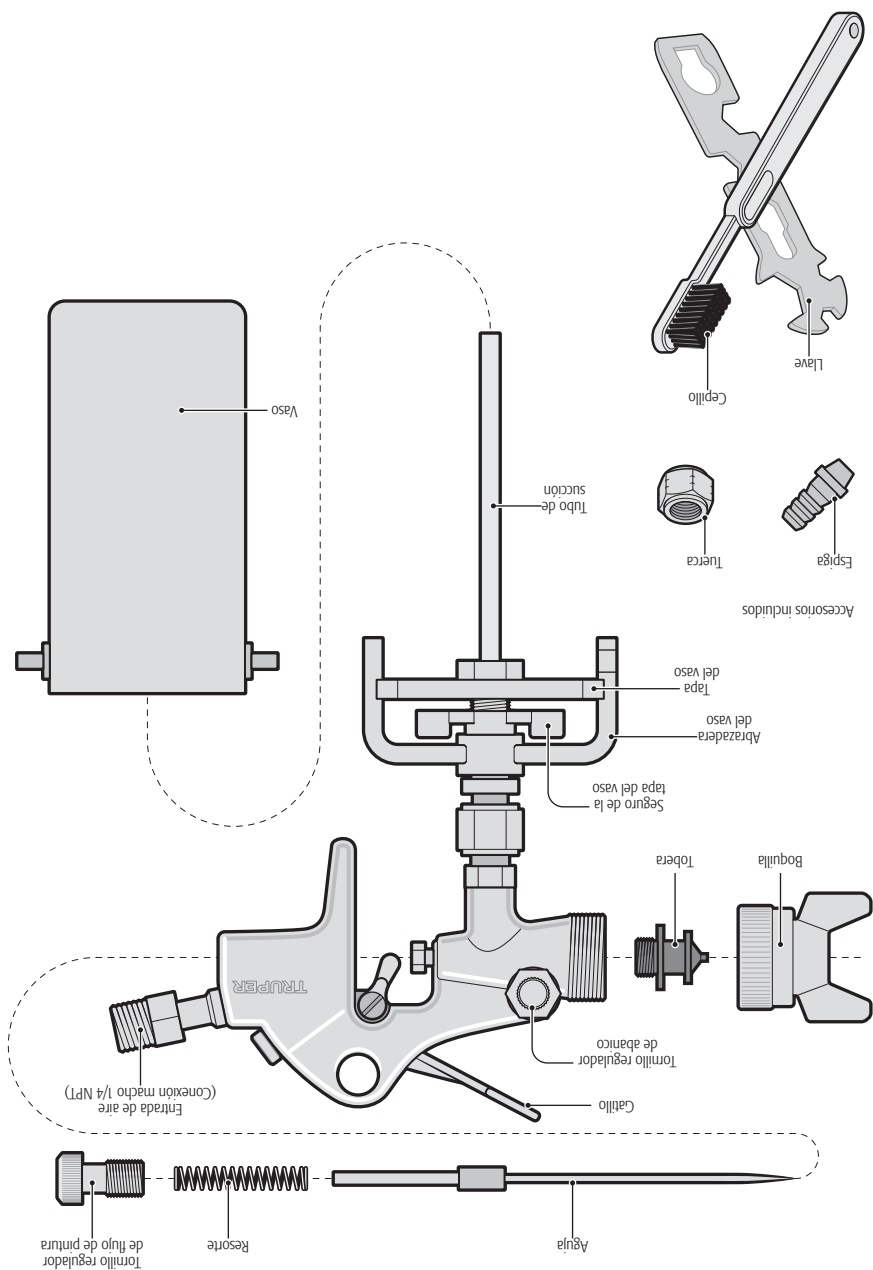
Segundos de descarga	Producto
20 - 25	Pintura con base de agua
24 - 28	Primer
20 - 25	Barnices
18 - 22	Pinturas con base de aceite
18 - 22	Pinturas de esmalte
22 - 25	Pinturas de aluminio
25 - 35	Sellador automotriz
28 - 35	Sellador para madera
No requiere	Preservador de madera
	Tinta para madera

- Si después de adegazar el producto la capacidad de dispersión es muy baja añada más diluyente del 5 al 10% poco a poco hasta que la capacidad de dispersión cumpla con sus necesidades.
- Si la pintura es demasiado espesa, la superficie pintada quedará rugosa (piel de naranja). Si la pintura es demasiado fluida, existe el riesgo de que chorree.



- Para abrir el vaso primero libere el seguro del vaso (A), después gire el vaso para soltarlo de la abrazadera (B). Rellene el vaso con el material de recubrimiento preparado.
- Coloque el vaso en su tapa, ciérrelo con la abrazadera y bloquéelo apretando el seguro.

Llenado del vaso



Advertencias de Seguridad para uso de pistolas para pintar

Mientras opera el equipo

ATENCIÓN • Nunca apunte la pistola para pintar hacia usted ni a otras personas o animales.

• Asegúrese de que el equipo no absorba ningún vapor solvente.

ATENCIÓN • Si va a hacer una pausa durante el proceso de aplicación, no ponga de lado la pistola, sosténgala en algún lugar por el gancho para que quede en posición vertical.

Substancias y materiales

ATENCIÓN • El equipo está diseñado para aplicar materiales de recubrimiento como pintura, barniz, esmalte, etc. Los cuales deben tener un punto de inflamación no menor de 21 °C, consulte la etiqueta de la lata o contenedor del producto.

ADVERTENCIA • No rocíe substancias con las cuales no esté familiarizado y desconozca su peligro potencial.

ADVERTENCIA • No rocíe substancias inflamables.

• Tenga cuidado con los peligros que se originan por las substancias rociadas. Consulte el texto y la información de las latas y contenedores o las especificaciones del fabricante.

Después de operar el equipo

ADVERTENCIA • Limpie perfectamente la pistola para eliminar cualquier residuo de producto al terminar el trabajo. Las acumulaciones pueden estropear la pistola e invalidar la garantía.

Antes de operar el equipo

ATENCIÓN • El equipo no debe utilizarse en

espacios cerrados ni en ambientes explosivos.

• Si va a trabajar en exteriores considere la dirección del viento. El viento puede llevar el recubrimiento a grandes

distancias y ocasionar daños, además de dificultar el trabajo.

ATENCIÓN • Si va a trabajar en interiores ventílique que haya ventilación adecuada.

ADVERTENCIA • El área de trabajo debe de estar libre de cualquier fuente de ignición. No fume durante el

trabajo de roçado ni cerca del área de trabajo.

ATENCIÓN • Utilice una mascarilla y lentes de seguridad cuando rocíe para evitar daños en los pulmones y los ojos.

• Se recomienda utilizar guantes y overol para proteger sus manos y ropa del producto a aplicar.



Advertencias de Seguridad para uso de herramientas neumáticas

Mantenga su área de trabajo limpia, ordenada y bien iluminada.

▲ ATENCIÓN Áreas desordenadas y oscuras pueden provocar accidentes.

▲ PELIGRO Las chispas que genera la herramienta podría provocar una explosión o incendio.

Mantenga a los niños y a otras personas a una distancia segura mientras utiliza la herramienta.

▲ ADVERTENCIA Las distracciones pueden hacerle perder el control y provocar accidentes.

▲ PELIGRO Ubique y evite todas las líneas y circuitos eléctricos, especialmente el cableado oculto.

▲ PELIGRO Así como cualquier objeto conectado a tierra.

▲ ATENCIÓN No deje que la herramienta mientras la utiliza. Esto puede provocar accidentes.

▲ PELIGRO Un momento de distracción mientras utiliza la herramienta puede provocar lesiones.

▲ PELIGRO No utilice la herramienta si está cansado, o bajo la influencia de drogas, alcohol o medicamentos.

▲ ADVERTENCIA De no hacerlo se expone a lesiones personales graves.

▲ ATENCIÓN Utilice abrazaderas y una superficie de trabajo estable.

▲ ATENCIÓN Nunca fuerce la herramienta.

▲ ATENCIÓN Trabajar dentro del rango para el que fue diseñada asegura un mejor trabajo y es más seguro.

▲ ADVERTENCIA Guarde la herramienta en un lugar seguro fuera del alcance de los niños.

▲ ADVERTENCIA Las herramientas neumáticas son peligrosas en manos inexpertas.

▲ ADVERTENCIA Utilice la indumentaria adecuada.

▲ ADVERTENCIA La ropa suelta, joyas o cabello largo pueden ser atrapados por las piezas móviles.

▲ ADVERTENCIA Mantenga las manos alejadas de las partes giratorias y/o móviles.

▲ ADVERTENCIA De no hacerlo se expone a lesiones personales graves como cortes, quemaduras o aplastamiento.

Utilice equipo adecuado de protección personal.

▲ ATENCIÓN Utilice protección para los ojos. Mascarilla antipolvo, zapatos de seguridad antideslizantes, casco y protección para los oídos en condiciones adecuadas reducen considerablemente el riesgo de lesiones.



▲ ADVERTENCIA Para evitar incendios accidentales que deriven en accidentes.

▲ ADVERTENCIA Nunca utilice la herramienta si el interruptor no funciona o no está debidamente ensamblada.

▲ ADVERTENCIA De hacerlo se expone a lesiones personales graves, repárela inmediatamente.

▲ ATENCIÓN No sobre extienda su campo de acción.

▲ ATENCIÓN Un buen apoyo y equilibrio permiten un mejor control de la herramienta en situaciones inesperadas.

▲ ADVERTENCIA Nunca tire de la manguera de aire.

▲ ADVERTENCIA No la use para cargar la herramienta o desconectarla de la toma de aire. Las mangueras dañadas o enredadas pueden reventar y lanzar residuos al operador.

▲ ADVERTENCIA Evite encendidos accidentales.

▲ ADVERTENCIA Asegúrese de que la toma de aire está desconectada antes de lubricar, colocar accesorios o dar mantenimiento a la herramienta.

▲ PELIGRO Retire cualquier llave de ajuste antes de encender la herramienta.

▲ PELIGRO Herramientas adicionales o llaves colocadas en una pieza giratoria de la herramienta puede provocar lesiones personales graves.

▲ ATENCIÓN Déle mantenimiento a la herramienta y cerciórese que se encuentra en condiciones óptimas antes de utilizarla.

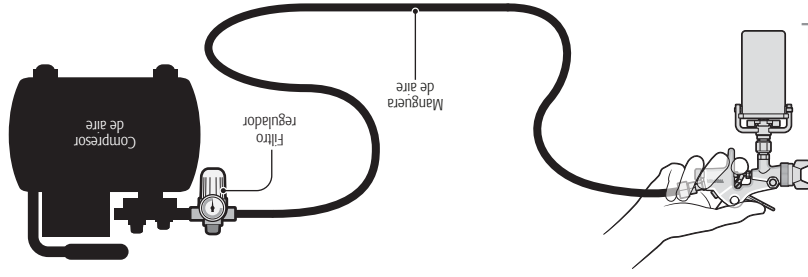
▲ ATENCIÓN Revise cuidadosamente sus partes móviles, su alineación y montaje. Hágalo periódicamente.

▲ ATENCIÓN Busque cualquier elemento dañado o pieza que no funcione adecuadamente para su inmediata reparación.

▲ ATENCIÓN Utilice sólo los accesorios o relaciones indicados en este instructivo o certificados por **TRUPER**.

▲ ATENCIÓN Nunca deje la herramienta en marcha sin supervisión.

▲ ATENCIÓN Desconecte la herramienta de la toma de aire después de operar y antes de dejarla para evitar accidentes graves.



• Para trabajos caseros es posible utilizar compresores de 1,5 CV con depósito de 25 litros; para trabajos más demandantes como trabajos en carrocería, industria, etc. se recomienda utilizar compresores de al menos 3 CV con depósito de 100 litros. • Utilice mangueras de alta presión con una longitud adecuada para realizar el trabajo de pintado cómodamente. • El polvo y agua condensada dentro del tanque del compresor pueden ocasionar un acabado deficiente en la superficie a pintar. Se recomienda instalar un filtro regulador entre el compresor y la pistola para evitar esta posibilidad.

Requerimientos neumáticos

14088	• Código
Pistola para retoque	• Descripción
200 ml	• Capacidad del vaso
172 kPa - 345 kPa (25 PSI - 50 PSI)	• Presión de trabajo
1/4 NPT	• Diámetro de conexión
169,9 L/min (6 CFM)	• Consumo de aire
1,5 mm	• Diámetro de la boquilla

P1P1-300

Especificaciones técnicas

- 2 Especificaciones técnicas
- 2 Requerimientos neumáticos
- 3 Advertencias de Seguridad para uso de herramientas neumáticas.
- 4 Advertencias de Seguridad para uso de pistolas para pintar
- 5 Partes
- 6 Reparación
- 7 Puesta en marcha
- 8 Mantenimiento
- 9 Solución de problemas
- 10 Notas.

Para poder sacar el máximo provecho de la herramienta, hacer válida la garantía en caso de ser necesario y evitar riesgos o lesiones graves, es fundamental leer este instructivo por completo antes de usar la herramienta.

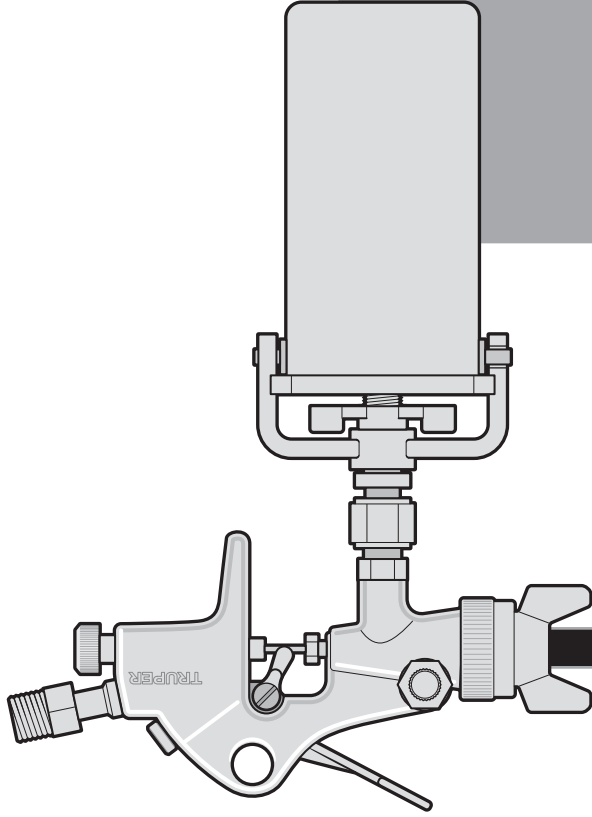
Guarde este instructivo para futuras referencias. Los gráficos de este instructivo son para referencia, pueden variar del aspecto real de la herramienta.

ATENCIÓN

Instructivo de Pistola para retoque

172 kPa
25 PSI - 50 PSI
345 kPa
Presión de trabajo

Este Instructivo es para:
Código 14088
Modelo PPI-300



PPI-300



ATENCIÓN

Lea este Instructivo por completo
antes de usar la herramienta.

