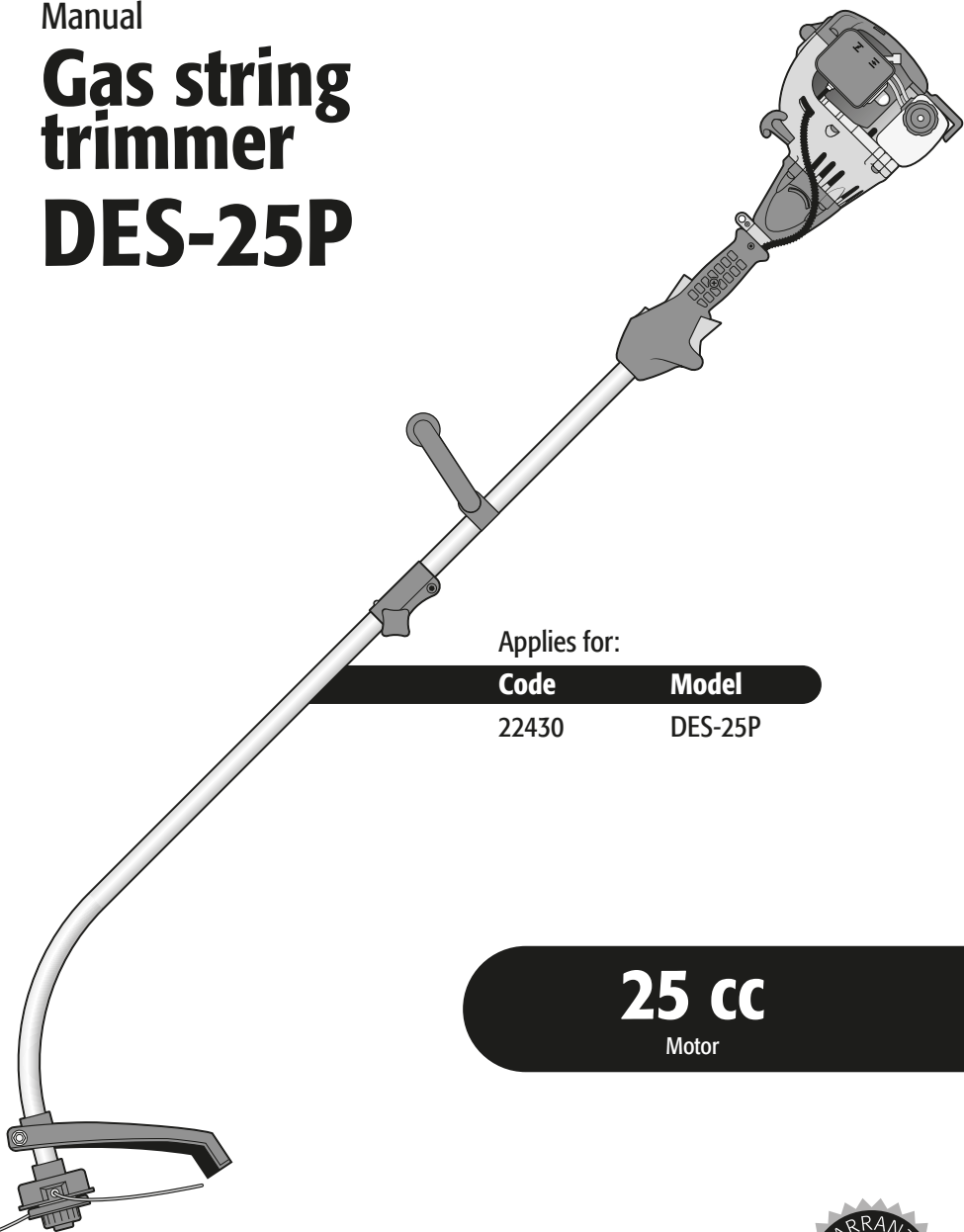


Manual

Gas string trimmer DES-25P



Applies for:

Code	Model
22430	DES-25P

25 cc

Motor

 **CAUTION**



Read the user's manual thoroughly
before operating this tool.



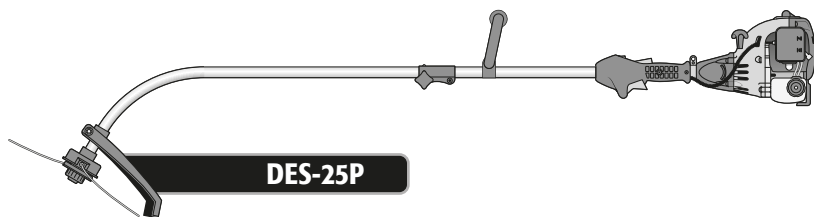
Technical data.....	3
Fuel specifications.....	3
 General motor tools safety warnings.....	4
 Safety warnings for string trimmers.....	5
Parts.....	6
Assembly.....	6
Fuel supply.....	8
Start up.....	8
Operation.....	9
Maintenance.....	10
Troubleshooting.....	11
Notes.....	12
Authorized service centers.....	13
Warranty policy.....	14

CAUTION

To gain the best performance of the tool, prolong the duty life, make the Warranty valid if necessary, and to avoid hazards of fatal injuries please read and understand this manual before using the tool.

Keep this manual for future references.

The illustrations in this manual are for reference only. They might be different from the real tool.




DES-25P

Code	•	22430
Description	•	Gas string trimmer
Net weight	•	11.4 lb (with no fuel)
Tank capacity	•	16.9 oz
Engine cylinder capacity	•	25 cc
Engine capacity	•	1 Hp
Speed	•	7500 RPM
Cutter head	•	Nylon spool
Cutting capacity	•	17"
Trimmer thread diameter	•	5/64" - 7/64"
Work cycle	•	40 minutes rest per each used tank. 5 hours daily.


Fuel specifications

- The string trimmer has an air-cooled 2-cycle motor using a mix of unleaded gasoline and high quality self-propulsion oil with fuel stabilizer specified for air-cooled two-cycle motors.
- The motor is certified to run with unleaded gasoline for vehicles with 87 or more ((R+M)) octane level.
- Do not use any type of gasoline premixed with oil bought in service stations such as gasoline for motorcycles.
- Do not use automotive oil or oil for 2-cycle outboard motors oil.
- The mix ratio should be 50 parts gasoline per 1 part oil (50:1 ratio). Prepare the mix in a gasoline-approved container. Always mix thoroughly before pouring in the motor tank.

CAUTION Do not use fuel mix stored longer than 7 days. Make small amounts of mix.

WARNING Never smoke near fuel, the gasoline filling up area or where the oil mix is being prepared or when operating the tool. 

WARNING Any attempt to start the string trimmer with no oil added to the fuel mix will damage to the string trimmer.

Use the ACES-2, ACES-5 or ACES-20  **TRUPER®** OIL** cap as measure, mix 4 capfuls oil per each liter gasoline.



A wrong mix may cause the motor to throw a rod causing expensive repairs!



Gasoline



4 capfuls oil



Mix

To prolong the useful life of the motor use  **TRUPER®** two-cycle synthetic motor oil.

* 1 gallon = 3.78 liter

** Not included



⚠ WARNING! Read carefully all safety warnings and instructions listed below. Failure to comply with any of these warnings may result in electric shock, fire and / or severe damage. **Save all warnings and instructions for future references.**

Work area

Keep your work area clean, and well lit.

Cluttered and dark areas may cause accidents.



Never use the tool in explosive atmospheres, such as in the presence of flammable liquids, gases or dust.

Sparks generated by power tools may ignite the flammable material.



Keep children and bystanders at a safe distance while operating the tool.

Distractions may cause losing control.



Electrical Safety

The tool plug must match the power outlet. Never modify the plug in any way. Do not use any adapter plugs with grounded power tools.

Modified plugs and different power outlets increase the risk of electric shock.



Avoid body contact with grounded surfaces, such as pipes, radiators, electric ranges and refrigerators.

The risk of electric shock increases if your body is grounded.

Do not expose the tool to rain or wet conditions.

Water entering into the tool increases the risk of electric shock.

Do not force the cord. Never use the cord to carry, lift or unplug the tool. Keep the cord away from heat, oil, sharp edges or moving parts.

Damaged or entangled cords increase the risk of electric shock.

When operating a tool outdoors, use an extension cord suitable for outdoor use.

Using an adequate outdoor extension cord reduces the risk of electric shock.

If operating the tool in a damp location cannot be avoided, use a ground fault circuit interrupter (GFCI) protected supply.

Using a GFCI reduces the risk of electric shock.

Personal safety

Stay alert, watch what you are doing and use common sense when operating a tool. Do not use a power tool while you are tired or under the influence of drugs, alcohol or medication.

A moment of distraction while operating the tool may result in personal injury.

Use personal protective equipment. Always wear eye protection.

Protective equipment such as safety glasses, anti-dust mask, non-skid shoes, hard hats and hearing protection used in the right conditions significantly reduce personal injury.



Prevent unintentional starting up. Ensure the switch is in the "OFF" position before connecting into the power source and / or battery as well as when carrying the tool.

Transporting power tools with the finger on the switch or connecting power tools with the switch in the "ON" position may cause accidents.

Remove any wrench or vice before turning the power tool on.

Wrenches or vices left attached to rotating parts of the tool may result in personal injury.

Do not overreach. Keep proper footing and balance at all times.

This enables a better control on the tool during unexpected situations.

Dress properly. Do not wear loose clothing or jewelry. Keep hair, clothes and gloves away from the moving parts.

Loose clothes or long hair may get caught in moving parts.



If you have dust extraction and recollection devices connected onto the tool, inspect their connections and use them correctly.

Using these devices reduce dust-related risks.

Power Tools Use and Care

Do not force the tool. Use the adequate tool for your application.

The correct tool delivers a better and safer job at the rate for which it was designed.



Do not use the tool if the switch is not working properly.

Any power tool that cannot be turned ON or OFF is dangerous and should be repaired before operating.

Disconnect the tool from the power source and / or battery before making any adjustments, changing accessories or storing.

These measures reduce the risk of accidentally starting the tool.

Store tools out of the reach of children. Do not allow persons that are not familiar with the tool or its instructions to operate the tool.

Power tools are dangerous in the hands of untrained users.



Service the tool. Check the mobile parts are not misaligned or stuck. There should not be broken parts or other conditions that may affect its operation. Repair any damage before using the tool.

Most accidents are caused due to poor maintenance to the tools.




Keep the cutting accessories sharp and clean.

Cutting accessories in good working conditions are less likely to bind and are easier to control.

Use the tool, components and accessories in accordance with these instructions and the projected way to use it for the type of tool when in adequate working conditions.

Using the tool for applications different from those it was designed for, could result in a hazardous situation.

Service

Repair the tool in a  TRUPER Authorized Service Center using only identical spare parts.

This will ensure that the safety of the power tool is maintained.

Children or people with reduced physical, sensory or mental capabilities shall not operate the tool, neither inexperienced people or without knowledge in the use of the tool, unless supervised by a person responsible of their safety or if receiving previous instructions about the tool operation.



Children shall be kept under supervision to double-check they will not play with the tool. Tight supervision shall be used with children or disabled persons to prevent from using or being close to any household tool.



Safety warnings for string trimmers

PRETUL®

Fuel handling

- Never smoke near fuel or where gasoline is supplied.  Or where the oil mix is prepared or while operating the string trimmer.
- Handle fuel with care to reduce risk of fire or burns. 

Fuel is very flammable.

- Do not allow gasoline or oil getting contact with your skin.
- Protect your eyes. Avoid spilling oil or gasoline. In the event of accidental contact, wash eyes immediately with clean water. If irritation persists, see a doctor.
- Mix and store fuel in a labeled container.

⚠ WARNING • Mix fuel outdoors away from flames or sparks.

- Before refueling the string trimmer turn off the motor. Set the string trimmer in the ground in a clear surface. Wait for the motor to cool down.

⚠ CAUTION • Clean all the fuel that might have been spilled before operating the string trimmer.

⚠ CAUTION • Verify there are no leaks. If so, correct them before using the string trimmer to prevent fire or burns.

- Move the string trimmer at least 30 feet away from the fuel filling up site before starting the motor.
- Under no circumstance burn spilled fuel.
- Under no circumstance, use any other type of fuel different from the specified in this Instructions Manual.

Before operating the string trimmer

- Wear the right clothes to operate the string trimmer. Tight fitting clothes, strong pants, anti-skid safety boots, heavy-duty protecting gloves and safety glasses with side protection complying with ANSI Z87.1. Standard.



⚠ WARNING • Remove any accessory or loose clothes that could get caught by the moving cutter head. Fasten your long hair above your shoulders.

- Verify the string trimmer is in perfect working condition. Do not turn on if not properly adjusted or fully assembled to work in a safe manner, or if the fuel tank shows leakage or loose screws.
- Verify the string trimmer is clean, dry and free of oil or fuel.
- Double-check the work area is in an open area and is well ventilated.
- Check the work area. Remove stones, pieces of broken glass, nails, wire or rope. They could be soot out or be tangled in the string trimmer.
- In extreme temperatures verify there are no ice formations or condensation in the string trimmer.
- Verify visibility and light condition are adequate to see clearly. Otherwise do not use the string trimmer.

- Do not use the string trimmer with any guards in place. Or if the guards show any type of damage or they have missing parts.

When operating the string trimmer

⚠ CAUTION • Keep passersby, children and animals away no less than 50 feet away.

• Verify the cutter head is not making contact with any object before starting the motor.

⚠ WARNING • Keep both feet firmly set on the ground and both hands holding the string trimmer by the handles. Never operate the string trimmer single-handed. Otherwise the operator and any other person present may be injured.

• Keep all your body away from the cutter head when the motor is running.

• Always keep the cutting head pointed downwards, below your waist level. Never raise it above 2.4 feet from the ground.

• Keep all your body parts away from the muffler. Otherwise severe burns can occur.

• Keep the string trimmer away from flammable materials.

• Do not use the string trimmer to cut woody shrubs.

• Be alert to surrounding risks. The string trimmer noise could prevent you from noticing them.

⚠ DANGER • If making jobs near traffic roads, stop cutting until there are no vehicles in sight. The string trimmer could shoot particles towards the moving vehicles and produce a severe accident.

After operating the string trimmer

⚠ WARNING • Do not try to stop the cutter head rotating movement in any other way than releasing the switch. Wait for the cutter head stop after shutting off the string trimmer. It will take a couple of seconds.

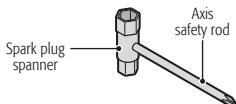
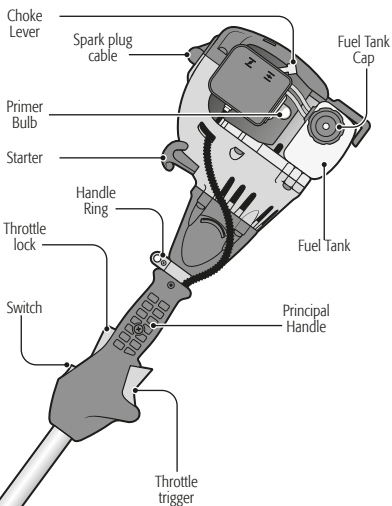
⚠ CAUTION • Always carry the string trimmer with the motor off and the muffler away from your body. Before putting the string trimmer in a vehicle, drain the fuel tank.

⚠ WARNING • Turn off the motor before idling the string trimmer. DO NOT leave the motor running unattended. Wait for the string trimmer to cool off before storing.

⚠ CAUTION • Highly trained personnel string trimmer should only carry out service and repairs.

⚠ WARNING • Do not try to modify the tool or manufacture accessories that are not recommended. Otherwise there is hazard of severe personal injury and making the warranty void.

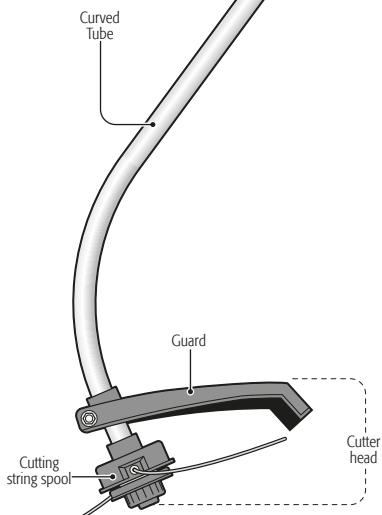
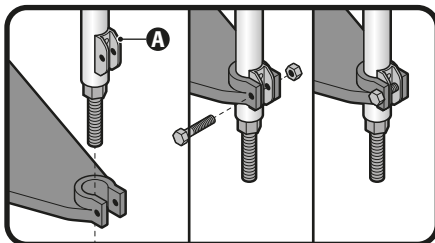
⚠ WARNING • When assembling parts disconnect the spark plug cable from the motor, to prevent an accidental start and cause severe injury.



Assembly

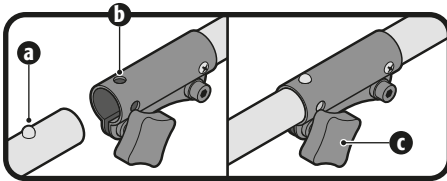
Guard

- Install the guard before setting the string spool. Otherwise the guard cannot be mounted.
- Pass the guard on the curved arm end. Double-check to align the guard orifices with the mounting orifices (A).
- Secure the guard with the bolt and nut.



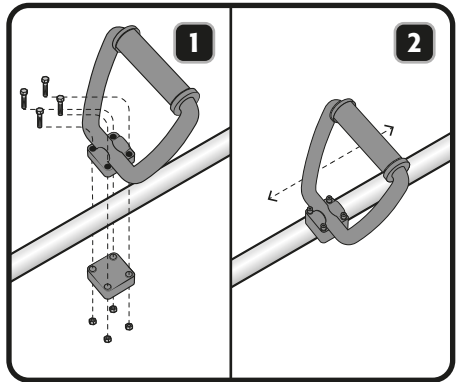
Shaft

- Align the safety pin (**a**) of the lower shaft with the middle hole in the clamp (**b**).
- Press the safety pin down and insert the lower shaft into the clamp.
- Release the safety pin; ensure that it engages in the hole on the upper shaft.
- Tighten the locking knob clockwise to secure the connection (**c**).



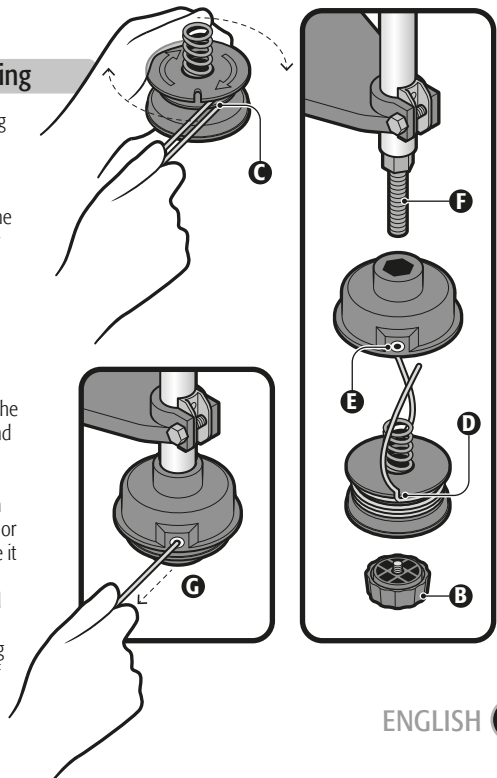
Anti-vibration Auxiliary Handle

- Install the auxiliary handle as shown in the figure.
- Move the auxiliary handle through the string trimmer arm to the right height to operate comfortably.
- Tighten the screws to fix the auxiliary handle into position.



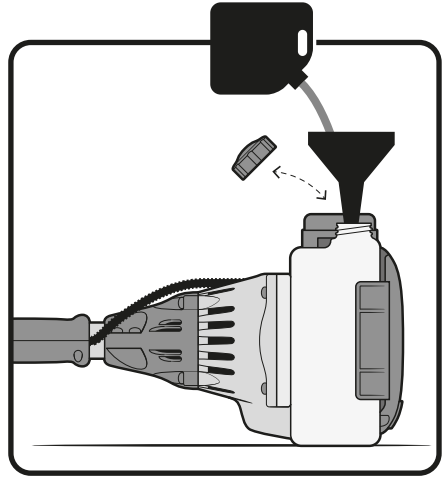
Cutting string replacement and mounting

- With the string trimmer off, remove the spool-retaining cap (**B**) turning counter-clockwise.
- Remove the empty spool. Verify it is clean and has no damaged or worn parts.
- Cut one 5 m length of cutting string. Make a loop in the middle of the line and insert the loop in the spool inner hook (**C**). Hold the string and wind it clockwise. Double-check if the string is wound in its respective section (upper and lower). Do not wind too much string. After winding there shall remain a 6 mm minimum distance between the spool edge and the wound string.
- Leave approximate 20 cm unwound centimeters on both ends of the string and insert each one of them in the spool notches (**D**). This is to prevent the string to unwind while installing the spool in the string trimmer. Later on you should release the strings from their notches.
- Set back the spool in its cover passing the ends of each string through the cover orifices (**E**). If the string is loose or tangled in this step, wind it again in the spool and secure it in its notches.
- Set the spool cover in the axis (**F**) and secure the spool tightening the retaining cap (**B**).
- Apply force and pull outwards both ends of the cutting string to release it from the notches in the upper side of the spool (**G**).



- Follow the safety standards for handling fuel. (Page 5)
- Let the motor cool down completely before filling up.
- Set the string trimmer onto a flat surface leaning it as shown in the figure.
- Wipe around the fuel tank cap to avoid contamination.
- Slowly loosen the fuel cap.
- Use care to avoid spillage. Pour the fuel mix into the fuel tank.
- **CAUTION** Follow fuel specifications. (Page 3)
- Before setting back the fuel cap check and clean the joints.
- Immediately cover the fuel tank cap and tighten by hand.
- Wipe clean any fuel spill.

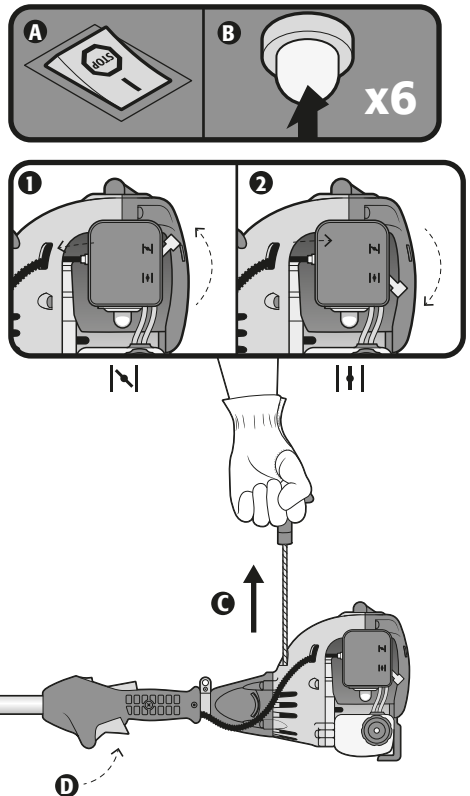
CAUTION In a new motor and after using for the first time is a normal that smoke emissions are present.



Start up

Starting with a cold motor

- Set the string trimmer in level ground where the cutter head is not making contact with obstacles.
- Set the switch in the ON position (A).
- Press and release 10 times the starter choke (B).
- Move the choke lever into “|N|” position (1).
- Pull the starter 3 to 5 times (C) to let the fuel enter into the motor. Then press the lock and the throttle trigger (D) and pull the starter fast and with force to start the motor. Do not release the starter. Put it back carefully into its initial position to prevent damaging the starter.
- Once the motor starts set the choke lever into the “|I|” position (2).
- Release the throttle trigger to make the motor run idle a couple of minutes.
- The string trimmer is ready to be used. Hold it by its two handles using both hands and lift it to start the job.
- Press the lock and throttle trigger to start the cutting device.

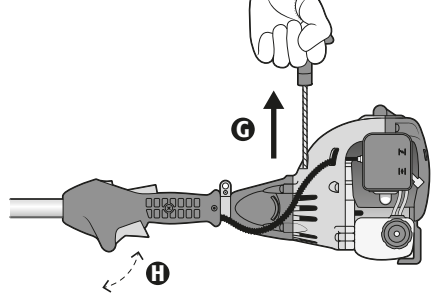
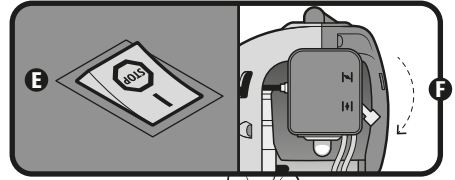


Start up

PRETUL®

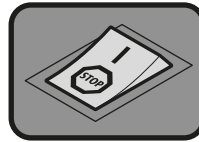
Starting a hot motor

- Set the string trimmer on level ground with the cutting head away from making contact with obstacles.
- Set the switch into the on position (E).
- Set the choke lever into "I/I" position (F).
- Press the lock and throttle trigger and keep them that pressed.
- Pull the starter (G) until the motor starts.
- Release the lock and throttle trigger to set the motor running idle (H).
- The string trimmer is ready to operate. Hold it by the two handles with both hands and raise it to start the job.
- Press the lock and throttle trigger to start the cutting device.



Turning OFF

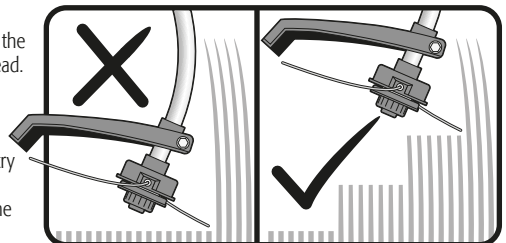
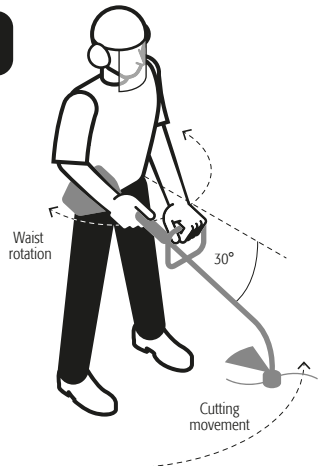
- Release the lock and the throttle trigger and run it idle for 10 to 15 seconds.
- Set the switch into the off position until the motor stops.



Operation

- CAUTION** • Remember that you, being the string trimmer operator, are responsible of your safety and the safety of those who are near your work area. Follow all security standards (pages 4 and 5) before operating the tool.
- Keep good balance with both feet firmly set on ground. Hold firmly the string trimmer in front of you. Set one hand in the handle and the other in the auxiliary handle to have the tool aligned to your body and pointing the cutter head 30° downwards, away from your feet.

- DANGER** • Do not turn on or operate the string trimmer in any other position.
- Turn on the string trimmer and make cuts from left to right rotating your waist and keeping the tool position.
 - As you cut grass the cutting thread will wear and will fall. To release more thread from the spool press the string trimmer lightly downwards to have the ground pressing the retention cap against the spool and to release more thread. The guard blade will cut the remaining thread. At this moment stop pushing the string trimmer against the ground to stop spending more thread.
 - To cut brush or tall grasses make it gradually. Do not try to cut in one pass from its base because residue could clog the cutting head or make you loose control over the string trimmer.



• Before inspecting, cleaning or servicing the string trimmer, turn off the motor. Wait for all the moving parts to stop. Disconnect the spark plug cable and separate it from the spark plug. Otherwise, you could be severely injured and the equipment could get damaged.

General cleaning

- Clean and unblock all the starter unit ventilation slots with a brush when necessary.
- Like ways, periodically clean the motor cylinder wings and the fan wings to remove dirt. Not doing it will cause the motor to overheat and get damaged.


Cleaning the air filter

- Remove the air filter cap pressing the sides and lifting it.
- Remove the air filter.
- Depending of the time it has been used you can give a superficial cleaning to the filter by only tapping it against a flat surface to remove most of the particles.
- You can also blow the filter with compressed air. Do it in both sides.
- For a more complete cleaning wash the filter in lukewarm soapy water. Rinse it and let it dry before installing it back in the tool.
- Install back the air filter verifying it clicks in place.
- Clean the air filter as frequently as necessary to keep it always clean. Otherwise the motor performance will diminish.


Fuel filter

- Check the gasoline filter frequently.
- If the filter is dirty, replace it.
- If the gas tank interior is dirty rinse it with gasoline.





Carburetor adjustment

- We recommend making carburetor adjustments in a  **TRUPER** Authorized Service Center.
- A wrong adjustment can damage the motor and make the warranty void.

Spark plug replacement

- With a totally cold motor, loosen the worn spark plug turning left with the spark plug spanner and remove it.
 - Insert the new spark plug and tighten to the right by hand. Then, tighten more using the spanner.
-  **CAUTION** • Use care not to damage the spark plug thread. Otherwise the motor will be seriously damaged.






Exhaust and muffler cleansing

- The exhaust and muffler can be clogged with carbon deposits, depending on the type of fuel, the amount of oil used and / or the conditions the tool is used. If noticing loss of power you should remove the deposits to restore performance. Go to a  **TRUPER** Authorized Service Center to have this service made.
 - The muffler is equipped with an anti-spark screen inside the muffler. After being used long periods of time the screen gets dirty and needs to be replaced. Go to a  **TRUPER** Authorized Service Center to have it replaced.
-  **CAUTION** • Check constantly that the muffler has the fasteners secured and that there is no damage or corrosion. If finding leaks, stop the tool and immediately go to a  **TRUPER** Authorized Service Center to have it repaired.

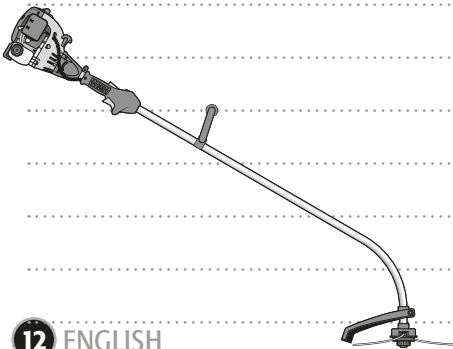
Tool storage

If storing the tool a month or more, be aware of the following:

- Drain all the contents in the fuel tank into an approved gasoline container.
- All the remaining fuel should be used again in other equipment with a two-cycle motor with a ratio of 50:1.
- Run the motor until the rest of the fuel is consumed and the motor shuts off by itself. This way you eliminate the fuel residues and will avoid gum forming and damaging the fuel system.
- Clean thoroughly.
- Store the tool in a ventilated space, away from corrosive agents like garden chemical substances or deicing salts. Also store away from children.
- Comply with all the government rules regarding safety in handling and storing fuel.

Problem	Cause	Solution
The motor does not start.	<ul style="list-style-type: none"> • There is no spark. • There is no fuel. • The motor is choked. • The starter jack is pulling with more difficulty than when new. 	<ul style="list-style-type: none"> • Check the spark. Remove the motor cover. Remove the spark plug from the cylinder. Connect the spark plug cable and set it on top of the motor cylinder with its metal part touching the cylinder. Pull the starter and watch the spark in the spark plug electrode. If there is no spark, repeat the test with a new spark plug. • Press the starter choke until the fuel is visible in the choke. If no fuel is showing it means that the fuel supply primary system is blocked. Contact an  TRUPER® Authorized Service Center. If the starter choke fills with fuel, it means the motor is choked. • With the switch off, remove the spark plug. Move the choke lever downwards and pull the starter handle 15 to 20 times to eliminate the fuel excess in the motor. Clean the spark plug and reinstall. Follow the normal starting procedure (consult page 8). If the motor does not start, move the choke lever downwards and repeat the starting procedure. If the motor is still not running, repeat the procedure but this time using a new spark plug. • Take the tool to a  TRUPER® Authorized Service Center.
The motor starts but it is not accelerating.	<ul style="list-style-type: none"> • The motor needs a few minutes to warm up. 	<ul style="list-style-type: none"> • Allow the motor to warm up completely. If the motor is not accelerating after three minutes contact your  TRUPER® Authorized Service Center.
The motor starts but it only runs high speed with half choke.	<ul style="list-style-type: none"> • Carburetor needs adjustment. 	<ul style="list-style-type: none"> • Take the tool to a  TRUPER® Authorized Service Center.
The motor is not gaining full speed and has too much smoke emissions.	<ul style="list-style-type: none"> • Check the oil / fuel mix. • The air filter is dirty. • The anti spark guard screen is dirty. 	<ul style="list-style-type: none"> • Use new fuel and the right oil mix for two-cycle. • Clean the air filter. See page 10. • Take the tool to a  TRUPER® Authorized Service Center.


A series of horizontal dotted lines for writing notes, spanning the width of the page.



In the event of any problem contacting a **TRUPER®** Authorized Service Center, please see our webpage www.truper.com to get an updated list, or call our toll-free numbers **800 690-6990** or **800 0187-8737** to get information about the nearest Service Center.

- AGUASCALIENTES** **DE TODO PARA LA CONSTRUCCIÓN**
GRAL. BARRAGÁN #1201, COL. CREMIAL, C.P. 20030, AGUASCALIENTES, AGS. TEL.: 449 994 0537
- BAJA CALIFORNIA** **SUCURSAL TIJUANA**
AV. LA ENCANTADA, LOTE #5, PARQUE INDUSTRIAL EL FLORIDO II, C.P. 22244, TIJUANA, B.C. TEL.: 664 969 5100
- BAJA CALIFORNIA SUR** **FIX FERRETERÍAS**
FELIPE ÁNGELES ESQ. RUIZ CORTÍNEZ S/N, COL. PUEBLO NUEVO, C.P. 23670, CD. CONSTITUCIÓN, B.C.S. TEL.: 613 132 1115
- CAMPECHE** **TORNILLERÍA Y FERRETERÍA AAA**
AV. ÁLVARO OBREGÓN #524, COL. ESPERANZA C.P. 24080 CAMPECHE, CAMP. TEL.: 981 815 2008
- CHIAPAS** **FIX FERRETERÍAS**
AV. CENTRAL SUR #27, COL. CENTRO, C.P. 30700, TAPACHULA, CHIS. TEL.: 962 118 4083
- CHIHUAHUA** **SUCURSAL CHIHUAHUA**
AV. SILVESTRE TERRAZAS #128-11, PARQUE INDUSTRIAL BAFAR, CARRETERA MEXICO CUAUHTÉMOC, C.P. 31415, CHIHUAHUA, CHIH. TEL. 614 434 0052
- MEXICO CITY** **FIX FERRETERÍAS**
EL MONSTRUO DE CORREGIDORA, CORREGIDORA # 22, COL. CENTRO, C.P. 06060, CUAUHTÉMOC, CDMX. TEL: 55 5522 5031 / 5522 4861
- COAHUILA** **SUCURSAL TORREÓN**
CALLE METAL MECÁNICA #280, PARQUE INDUSTRIAL ORIENTE, C.P. 27278, TORREÓN, COAH. TEL.: 871 209 68 23
- COLIMA** **BOMBAS Y MOTORES BYMTESA DE MANZANILLO**
BLVD. MIGUEL DE LA MADRID #190, COL. 16 DE SEPTIEMBRE, C.P. 28239, MANZANILLO, COL. TEL.: 314 332 1986 / 332 8015
- DURANGO** **TORNILLOS ÁGUILA, S.A. DE C.V.**
MAZURIO #200, COL. LUIS ECHEVERRÍA, DURANGO, DGO. TEL.: 618 817 1946 / 618 818 2844
- ESTADO DE MÉXICO** **SUCURSAL CENTRO JILOTEPEC**
AV. PARQUE INDUSTRIAL 1, PARQUE INDUSTRIAL JILOTEPEC, JILOTEPEC, EDO. DE MÉX. C.P. 54257, TEL: 761 782 9101 EXT. 5728 Y 5102
- GUANAJUATO** **CA. FERRETERA NUEVO MUNDO S.A. DE C.V.**
AV. MEXICO - JAPON #225, CD. INDUSTRIAL, C.P. 38010, CELAYA, GTO. TEL.: 461 617 7578 / 79 / 80 / 88
- GUERRERO** **CENTRO DE SERVICIO ECLIPSE**
CALLE PRINCIPAL MZ.1 LT. 1, COL. SANTA FE, C.P. 39010, CHILPANCIÑO, GRO. TEL.: 747 478 5793
- HIDALGO** **FERREPRECIOS S.A. DE C.V.**
LIBERTAD ORIENTE #304 LOCAL 30, INTERIOR DE PASAJE ROBLADO, COL. CENTRO, C.P. 43600, TULANCINGO, HGO. TEL.: 775 753 6615 / 775 753 6616
- JALISCO** **SUCURSAL GUADALAJARA**
AV. ADOLFO B. HORN # 6800, COL: SANTA CRUZ DEL VALLE, C.P.: 45655, TLAJOMULCO DE ZUÑIGA, JAL. TEL.: 33 3606 5285 AL 90
- MICHOACÁN** **FIX FERRETERÍAS**
AV. PASEO DE LA REPÚBLICA #3140-A, COL. EX-HACIENDA DE LA HUERTA, C.P. 58050, MORELIA, MICH. TEL.: 443 334 6858
- MORELOS** **FIX FERRETERÍAS**
CAPITÁN ANZURES #95, ESQ. JOSÉ PERDIZ, COL. CENTRO, C.P. 62740, CUAUTLA, MOR. TEL.: 735 352 8931
- NAYARIT** **HERRAMIENTAS DE TEPEC**
MAZATLAN #117, COL. CENTRO, C.P. 63000, TEPEC, NAY. TEL.: 311 258 0540
- NUEVO LEÓN** **SUCURSAL MONTERREY**
CARRETERA LAREDO #300, 1B MONTERREY PARKS, COLONIA PUERTA DE ANAHUAC, C.P. 66052, ESCOBEDO, NUEVO LEÓN, TEL.: 81 8352 8791 / 81 8352 8790
- OAXACA** **FIX FERRETERÍAS**
AV. 20 DE NOVIEMBRE #910, COL. CENTRO, C.P. 68300, TUXTEPEC, OAX. TEL.: 287 106 3092
- PUEBLA** **SUCURSAL PUEBLA**
AV. PERIFÉRICO #2-A, SAN LORENZO ALMECATLA, C.P. 72710, CUAUHTLACINGO, PUE. TEL.: 222 282 8282 / 84 / 85 / 86
- QUERÉTARO** **ARU HERRAMIENTAS S.A. DE C.V.**
AV. PUERTO DE VERACRUZ #110, COL. RANCHO DE ENMEDIO, C.P. 76842, SAN JUAN DEL RIO, QRO. TEL.: 427 268 4544
- QUINTANA ROO** **FIX FERRETERÍAS**
CARRETERA FEDERAL MZ. 46 LT. 3 LOCAL 2, COL. EJIDAL, C.P. 77710 PLAYA DEL CARMEN, Q.R. TEL.: 984 267 5140
- SAN LUIS POTOSÍ** **FIX FERRETERÍAS**
AV. UNIVERSIDAD #1850, COL. EL PASEO, C.P. 78320, SAN LUIS POTOSÍ, S.L.P. TEL.: 444 822 4341
- SINALOA** **SUCURSAL CULIACÁN**
AV. JESÚS KUMATE SUR #4301, COL. HACIENDA DE LA MORA, C.P. 80143, CULIACÁN, SIN. TEL.: 667 173 9139 / 173 8400
- SONORA** **FIX FERRETERÍAS**
CALLE 5 DE FEBRERO #517, SUR LT. 25 MZ. 10, COL. CENTRO, C.P. 85000, CD. OBREGÓN, SON. TEL.: 644 413 2392
- TABASCO** **SUCURSAL VILLAHERMOSA**
CALLE HELIO LOTES 1, 2 Y 3 MZ. #1, COL. INDUSTRIAL, 2A ETAPA, C.P. 86010, VILLAHERMOSA, TAB. TEL.: 993 353 7244
- TAMAULIPAS** **VM ORINGS Y REFACCIONES**
CALLE ROSITA #527 ENTRE 20 DE NOVIEMBRE Y GRAL. RODRÍGUEZ, FRACC. REYNOSA, C.P. 88780, REYNOSA, TAMS. TEL.: 899 926 7552
- TLAXCALA** **SERVICIOS Y HERRAMIENTAS INDUSTRIALES**
PABLO SIDAR #152, COL. - BARRIO DE SAN BARTOLOMÉ, C.P. 90970, SAN PABLO DEL MONTE, TLAX. TEL.: 222 271 7502
- VERACRUZ** **LA CASA DISTRIBUIDORA TRUPER**
BLVD. PRIMAVERA, ESQ. HORTENSIA S/N, COL. PRIMAVERA C.P. 93508, POZA RICA, VER. TEL.: 782 823 8100 / 826 8484
- YUCATÁN** **SUCURSAL MÉRIDA**
CALLE 33 #600 Y 602, LOCALIDAD ITZINCAB Y MUISAY, MPIO. UMIÁN, C.P. 97390, MÉRIDA, YUC. TEL.: 999 912 2451

Code	Model	Brand
22430	DES-25P	PRETUL®

This product is guaranteed for 1 year. To make the warranty valid or purchase parts and components you must present the product in Corregidora 22, Col. Centro, Alc. Cuauhtémoc, CDMX C.P. 06060 or at the establishment where you purchased it, or at any Truper® Service Center listed in the annex to the warranty policy and/or in www.truper.com. Transportation costs resulting from compliance of this warranty will be covered by  **TRUPER®**

For questions or comments, call **800-690-6990**. Made in China. Imported by Truper S.A. de C.V. Parque Industrial 1, Parque Industrial Jilotepec, Jilotepec, Edo. de Méx. C.P. 54257

Stamp of the business. Date of purchase:



1
YEAR



1 AÑO

Sello del establecimiento comercial. Fecha de compra:

Este producto está garantizado por 1 año. Para hacer válida la garantía o adquirir piezas y componentes deberá presentar el producto en Corregidora 22, Col. Centro, Alc. Cuauhtémoc, CDMX C.F. 06060 o en el establecimiento donde lo compró, o en algún Centro de Servicio Truper® de los enlistados en el anexo de la póliza de garantía y/o en www.truper.com. Los gastos de transportación que resulten para su cumplimiento serán cubiertos por **TRUPER**.

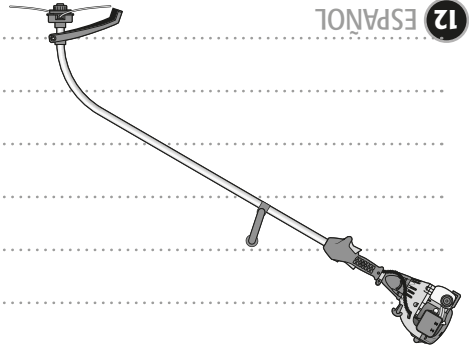
Para dudas o comentarios, llame al **800-690-6990**. Hecho en China. Importado por Truper S.A. de C.V. Parque Industrial 1, Parque Industrial Jilotepec, Jilotepec, Edo. de Méx. C.P. 54257

Código	Modelo	Marca
22430	DES-25P	PRETUL

Póliza de Garantía

En caso de tener algún problema para contactar un Centro de Servicio Autorizado, o llame al: **800 690-6990** ó **800 0187-8737** donde le informarán cuál es el Centro de Servicio más cercano. consulte nuestra página www.truper.com donde obtendrá un listado actualizado, o llame al:

AGUASCALIENTES	DE TODO PARA LA CONSTRUCCIÓN GRAL. BARRAGÁN #1201, COL. CREMALL, C.P. 20030, AGUASCALIENTES, AGS. TEL.: 449 994 0537
BAJA CALIFORNIA	BAJA FLOREDO II, C.P. 22244, TIJUANA, B.C. TEL.: 664 969 5100
BAJA CALIFORNIA SUR	BAJA FELIPE ÁNGELÉS ESQ. RUIZ CORTINEZ S/N, COL. PUEBLO NUEVO, C.P. 25670, CD. CONSTRUCCIÓN, B.C.S. TEL.: 613 132 1115
CAMPECHE	TORNILLERÍA Y FERRERÍA AAA AV. ALVARO OBREGÓN #324, COL. ESPERANZA C.P. 24080 CAMPECHE, CAMP. TEL.: 981 815 2808
CHIAPAS	FIX FERRERÍAS TAPACHULA, CHIS. TEL.: 962 118 4085
CHIHUAHUA	SUCURSAL CHIHUAHUA AV. SILVESTRE TERREAZA #128-118, PARQUE INDUSTRIAL BARR. CARRETERA MÉXICO CUERNAVACAM, C.P. 31415, CHIHUAHUA, CHIH. TEL.: 614 454 0052
CUIDAD DE MÉXICO	FIX FERRERÍAS EL MONSTRUO DE CORREGIDORA, CORREGIDORA # 22, COL. CENTRO, C.P. 06060, CUERNAVACAM, CDMX. TEL.: 55 5522 5031 / 5522 4861
COAHUILA	SUCURSAL TORREÓN CALE METAL MECÁNICA #280, PARQUE INDUSTRIAL ORIENTE, C.P. 27278, TORREÓN, COAH. TEL.: 871 209 68 23
COLUMBA	BOMBAS Y MOTORES BYMATES DE MANEJO AUTOMATIZADO BLVD. MIGUEL DE LA MADRID #190, COL. 16 DE SEPTIEMBRE, C.P. 28739, MANZANILLO, COL. TEL.: 314 532 1986 / 532 8015
DURANGO	TORNILLOS ÁGUILA, S.A. DE C.V. DGO TEL.: 618 817 1946 / 618 818 2844
ESTADO DE MÉXICO	SUCURSAL CENTRO JILOTEPEC AV. PARQUE INDUSTRIAL 1, PARQUE INDUSTRIAL JILOTEPEC, JILOTEPEC, EDO. DE MÉX. C.P. 54257, TEL.: 761 782 9100 EXT. 5728 Y 5102
GUANAJUATO	CLA FERRERÍA NUEVO MUNDO S.A. DE C.V. AV. MÉXICO - IAPUN #225, CD. INDUSTRIAL, C.P. 38010, CELMA, GTO. TEL.: 461 617 5778 / 79 / 80 / 88
GUERRERO	CENTRO DE SERVICIO ECLIPSE CHILPANCIANGO, GRO. TEL.: 747 478 5793
HIDALGO	LIBERTAD ORIENTE #504 LOCAL 30, INTERIOR DE PASAJE ROBERTO, COL. CENTRO, C.P. 43600, TULANGINCO, HGO. TEL.: 775 753 6615 / 775 753 6616
JALISCO	SUCURSAL GUADALAJARA AV. ADOLFO B. HORN # 6800, COL. SANTA CRUZ DEL VALLE, C.P.: 45655, TLAJALUILCO DE ZUMIGA, JAL. TEL.: 33 3606 5285 AL 90
MICHOACÁN	FIX FERRERÍAS AV. PASO DE LA PERUÑA #3140-A, COL. EXHACIENDA DE LA HUERTA, C.P. 58050, MORELIA, MICH. TEL.: 445 334 6858
MORELOS	FIX FERRERÍAS CAPITÁN ANZURES #95, ESQ. JOSÉ PERDIZ, COL. CENTRO, C.P. 62740, CUAUTLA, MOR. TEL.: 752 355 8931
NAVARA	HERRAMIENTAS DE TEPIC MAZATLÁN #117, COL. CENTRO, C.P. 63000, TEPIC, NAV. TEL.: 311 258 0540
QUERETARO	ARU HERRAMIENTAS S.A. DE C.V. AV. PUERTO DE VERACRUZ #110, COL. RANCHO DE ENMEDIO, C.P. 76842, SAN JUAN DEL RÍO, QRO. TEL.: 427 268 4544
QUINTANA ROO	FIX FERRERÍAS CARRETERA FEDERAL MZ. 46 LT. 3 LOCAL 2, COL. EIDAD, C.P. 77710 PLANA DEL CARMEN, Q.R. TEL.: 984 267 3140
SAN LUIS POTOSÍ	FIX FERRERÍAS AV. UNIVERSIDAD #1850, COL. EL PASO, C.P. 78320, SAN LUIS POTOSÍ, S.L.P. TEL.: 444 822 4341
SINALOA	SUCURSAL CUICLIÁN AV. JESÚS KRIMAT SUR #4301, COL. HACIENDA DE LA MORA, C.P. 80143, CUICLIÁN, SIN. TEL.: 667 175 9139 / 175 8400
SONORA	FIX FERRERÍAS CALE 5 DE FEBRERO #517, SUR LT. 25 MZ. 10, COL. CENTRO, C.P. 85000, CD. OBRERÓN, SON. TEL.: 644 415 2392
TABASCO	SUCURSAL VILLAHERMOSA CALE HEUTO LOTES 1, 2 Y 3 MZ. #1, COL. INDUSTRIAL, ZA TAPA, C.P. 86010, VILLAHERMOSA, TAB. TEL.: 993 555 7744
TAMAULIPAS	VM ONIRAS Y FERRERÍAS CALE ROSITA #527 Y ENTRONCE 20 DE NOVIEMBRE Y GRAL. RODRÍGUEZ, FRAC.C. REYNOSA, C.P. 88780, REYNOSA, TAMS. TEL.: 899 926 7552
TLAXCALA	SERVICIOS Y HERRAMIENTAS INDUSTRIALES C.P. 90970, SAN PABLO DEL MONTE, TLAX. TEL.: 222 271 7502
VERACRUZ	LA CASA DISTRIBUIDORA TRUPER BLVD. PRIMAVEGA ESQ. HORTENSIA S/N, COL. PRIMAVEGA, C.P. 93508, POZA RICA, VER. TEL.: 782 823 8100 / 826 8484
YUCATÁN	SUCURSAL MÉRIDA CALE 33 #600 Y 602, LOCALIDAD ITZINAB Y MULSAB, MPIO. UJMÁN, C.P. 97390, MÉRIDA, YUC. TEL.: 999 912 2451



A series of horizontal dotted lines spanning the width of the page, intended for writing notes.

Solución de problemas

PRETUL®

Problema

Causa

Solución

<p>El motor no arranca.</p>	<ul style="list-style-type: none"> • No hay chispa. 	<ul style="list-style-type: none"> • Revise la chispa. Retire la cubierta del motor. Retire la bujía del cilindro. • Conecte el cable de la bujía y colóquela sobre el cilindro del motor con su parte metálica tocando el cilindro. Tire de la piola y observe la chispa en el electrodos de la bujía. Si no la hay, repita la prueba con una bujía nueva. • Presione el bulbo cebador hasta que el combustible sea visible en el bulbo. Si no se ve el combustible, significa que el sistema primario de suministro de combustible está bloqueado. Contacte un Centro de Servicio Autorizado TRUPER En caso que el bulbo cebador se llene de combustible, es señal que el motor está ahogado. • Teniendo apagado el interruptor de encendido, retire la bujía. Mueva la palanca del ahogador hacia abajo y tire de la piola de 15 a 20 veces para eliminar el exceso de combustible del motor. Limpie la bujía y vuelva a instalarla. Siga el procedimiento de arranque normal (consulte la página 8). Si no arranca el motor, mueva la palanca del ahogador hacia abajo y repita el procedimiento de arranque. Si el motor aún no arranca, repita el procedimiento con una bujía nueva. • Lleve la desbrozadora a un Centro de Servicio Autorizado TRUPER
<p>El motor arranca pero no acelera.</p>	<ul style="list-style-type: none"> • El motor requiere de unos minutos para calentarse. 	<ul style="list-style-type: none"> • Permita que el motor se caliente por completo. Si el motor no acelera después de tres minutos, contacte a su Centro de Servicio Autorizado TRUPER.
<p>El motor arranca pero solo va a velocidad alta con la mitad del ahogador.</p>	<ul style="list-style-type: none"> • El carburador requiere de ajuste. 	<ul style="list-style-type: none"> • Lleve la desbrozadora a un Centro de Servicio Autorizado TRUPER.
<p>El motor no alcanza la velocidad completa y emite demasiado humo.</p>	<ul style="list-style-type: none"> • Revise la mezcla de aceite / combustible. • El filtro de aire está sucio. • La pantalla de la guarda anti chispas está sucia. 	<ul style="list-style-type: none"> • Use combustible nuevo y la mezcla correcta de aceite para 2 tiempos. • Limpie el filtro de aire. Consulte la página 10. • Lleve la desbrozadora a un Centro de Servicio Autorizado TRUPER.

Mantenimiento

• Antes de inspeccionar, limpiar o dar servicio a la desbrozadora, apague el motor, espere a que todas las partes móviles se hayan detenido; desconecte el cable de la bujía y sepárela de la bujía. De lo contrario puede sufrir lesiones de gravedades y/o daños al equipo.

Limpeza general

- Con un cepillo o aire comprimido limpie y despegue las ranuras de ventilación de la unidad del arrancador cada vez que sea necesario.
- De la misma forma limpie periódicamente las aletas del cilindro del motor y las aletas del ventilador para retirar dañarse debido a un recalentamiento.

Limpeza del filtro del aire

- Retire la cubierta del filtro presionando los lados y levántandolo.

- Retire el filtro del aire.

- Dependiendo del tiempo de uso puede dar al filtro una limpieza superficial con sólo golpearlo ligeramente contra una superficie lisa y plana para desalojar la mayoría de las partículas.

- También puede soplear el filtro con aire comprimido, hágalo por ambos lados.

- O para una limpieza más completa y déjelo secar por en agua jabonosa tibia, enjuáguelo y déjelo secar por completo antes de instalarlo de nuevo en la desbrozadora.

- Instale de nuevo el filtro del aire, verificando que empate en su lugar.

- Realice la limpieza del filtro de aire tan frecuentemente como sea necesario para mantenerlo siempre limpio, de lo contrario la eficiencia del motor puede disminuir.

Filtro de combustible

- Revise el filtro de gasolina con frecuencia.
- Si el filtro está sucio debe ser reemplazado.
- Si el interior del tanque de gasolina está sucio, enjuáguelo con gasolina.

Ajuste del carburador

- Se recomienda hacer los ajustes del carburador en un Centro de Servicio Autorizado **TRUPER**.
- Un ajuste incorrecto puede dañar el motor e invalidar la garantía.

Almacenamiento de la desbrozadora

En caso de que almacene la desbrozadora durante un mes o más, tome en cuenta las siguientes consideraciones:

- Drene todo el contenido del tanque de combustible en un recipiente de uso aprobado para gasolina. Todo el sobrante debe reutilizarse en otro equipo con motor de dos tiempos con proporción de 50:1.
- Ponga a funcionar el motor hasta que consuma el resto del combustible y se apague por sí mismo. Así eliminará el combustible residual y evitara que se forme goma que podría dañar el sistema de combustible.
- Limpie la desbrozadora por completo.
- Almacene la unidad en un espacio ventilado, apartado de agentes corrosivos como productos químicos para jardín o sales para derretir hielo y lejos del alcance de los niños.
- Cumpla con todos los reglamentos gubernamentales relacionados con la seguridad en el manejo y almacenamiento de combustibles.

Limpeza del escape y del silenciador

dañado el motor.

- Con el motor totalmente frío, afloje la bujía gastada hacia la izquierda con la llave proporcionada y retírela.
- Inserte la bujía nueva y apriétela con la mano hacia la derecha, aprétela media vuelta mas con la llave incluida.
- Tenga cuidado de no estropear la rosca de la bujía, de lo contrario resultaría seriamente dañado el motor.

Cambio de la bujía

TRUPER para su reparación.

imediato a un Centro de Servicio Autorizado **TRUPER** de encontrar una fuga detenga la herramienta y llévela de sujetadores y que no existan daños o corrosión. En caso de encontrar una fuga detenga la herramienta y llévela de

- Revise constantemente que el silenciador tenga debidamente asegurados los

largos periodos de tiempo la pantalla se ensucia y se

chispas dentro del silenciador. Después de usarse por

El silenciador está equipado con una pantalla anti

TRUPER Servicio Autorizado **TRUPER** para realizar el

debe reemplazar el silenciador. Acuda a un Centro de

desempeño. Acuda a un Centro de Servicio Autorizado

deberán retirar esos depósitos para restaurar el

se utiliza la herramienta. Si nota pérdida de potencia se

cantidad de aceite utilizada y/o las condiciones es las

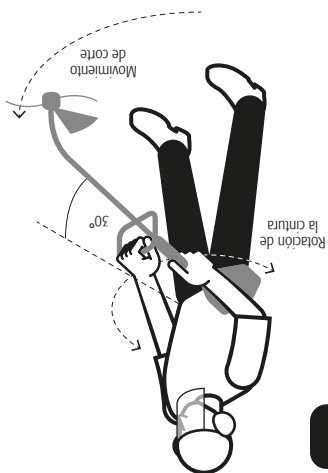
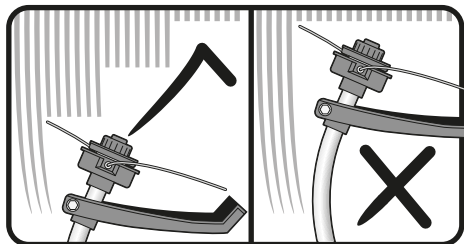
de carbón, dependiendo del tipo de combustible, la

El escape y el silenciador se pueden tapar con depósitos

reemplazo.

ATENCIÓN

• Revise constantemente que el



- Recuerde que usted como operador de la desbrozadora es responsable de su seguridad, así como de quienes se encuentran cerca del área de trabajo.
- Mantenga una postura equilibrada con ambos pies apoyados firmemente en el piso.
- Sostenga la con firmeza frente a usted con una mano en el mango y la otra en el mango auxiliar de manera que la desbrozadora quede alineada a su cuerpo y apuntando el cabezal de corte 30° hacia abajo, lejos de sus pies.
- No encienda ni opere la desbrozadora en cualquier otra posición.
- Encienda la desbrozadora y realice los cortes de izquierda a derecha rotando su cintura manteniendo la posición de la desbrozadora.
- Conforme se realice el corte de pasto el hilo de corte se desgastará y terminará por desprenderse, para liberar más hilo del carrete presione un poco la desbrozadora hacia abajo para que el suelo presione la tapa de retención contra el carrete y libere más hilo. El sobrante será cortado por la cuchilla de la guarda, en ese instante deje de empujar la desbrozadora contra el piso para no gastar hilo.
- Para cortar maleza o pasto alto hágallo gradualmente, no intente cortarlo de una sola vez desde la base, pues los residuos pueden atascar el cabezal de corte o hacerle perder el control de la desbrozadora.

- **PELIGRO** No encienda ni opere la desbrozadora en cualquier otra posición.
- Encienda la desbrozadora y realice los cortes de izquierda a derecha rotando su cintura manteniendo la posición de la desbrozadora.
- Conforme se realice el corte de pasto el hilo de corte se desgastará y terminará por desprenderse, para liberar más hilo del carrete presione un poco la desbrozadora hacia abajo para que el suelo presione la tapa de retención contra el carrete y libere más hilo. El sobrante será cortado por la cuchilla de la guarda, en ese instante deje de empujar la desbrozadora contra el piso para no gastar hilo.
- Sostenga la con firmeza frente a usted con una mano en el mango y la otra en el mango auxiliar de manera que la desbrozadora quede alineada a su cuerpo y apuntando el cabezal de corte 30° hacia abajo, lejos de sus pies.

Operación

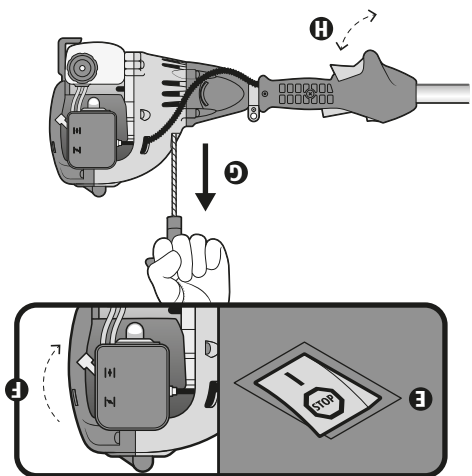
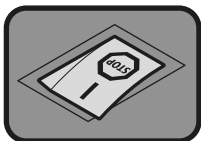
- Suelte el seguro y el gatillo del acelerador y deje correr en ralentí por 10 a 15 segundos.
- Ponga el interruptor en la posición de apagado, hasta que se detenga el motor.

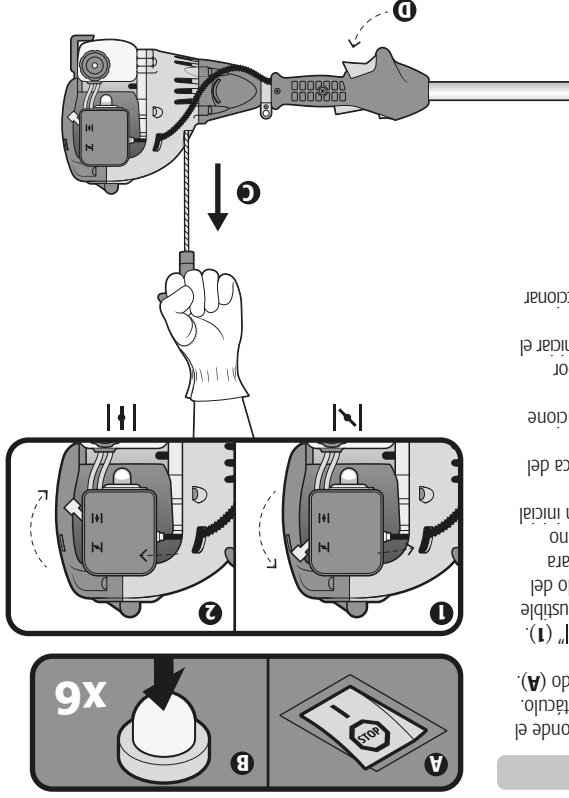
Apagado

- Coloque la desbrozadora en suelo nivelado en donde el cabezal de corte no haga contacto con ningún obstáculo.
- Coloque el interruptor en la posición de encendido (E).
- Mueva la palanca del ahogador a la posición "H" (F).
- Apriete el seguro y el gatillo del acelerador, y manténgalos apretados.
- Tire la pioleta (G) hasta que el motor arranque.
- Suelte el seguro y el gatillo del acelerador para que el motor funcione en ralentí (H).
- La herramienta ya está lista para operar. Sujétela por ambos mangos con las dos manos y levántela para iniciar el trabajo.
- Presione el seguro y el gatillo del acelerador para accionar el dispositivo de corte.

Arranque del motor en caliente

Encendido

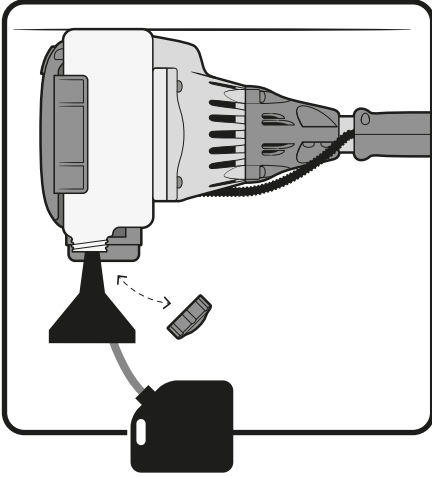




- Coloque la desbrozadora en suelo nivelado en donde el cabezal de corte no haga contacto con ningún obstáculo.
- Coloque el interruptor en la posición de encendido (A).
- Oprima y suelte el bulbo cebador 6 veces (B).
- Mueva la palanca del ahogador a la posición "I" (1).
- Jale la pioleta de 3 a 5 veces (C) para que el combustible entre al motor, después apriete el seguro y el gatillo del acelerador (D) y jale rápido y con fuerza la pioleta para arrancar el motor. Una vez que el motor arranque no suelte la pioleta, regréselo con cuidado a su posición inicial para evitar dañarlo.
- Una vez que el motor arranque coloque la palanca del ahogador en la posición "II" (2).
- Suelte el gatillo acelerador para que el motor funcione en ralentí durante unos minutos.
- La desbrozadora ya está lista para operar. Sujétela por ambos mangos con las dos manos y levántela para iniciar el trabajo.
- Presione el seguro y el gatillo del acelerador para accionar el dispositivo de corte.

Arranque del motor en frío

Encendido

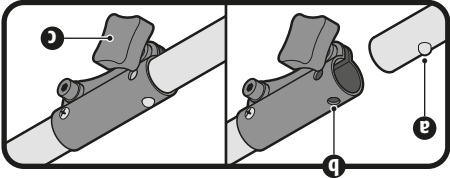


Abastecimiento de combustible

- Siga las advertencias de seguridad para el manejo de combustible (página 5).
- Espere a que el motor se enfríe por completo antes de abastecer el combustible.
- Coloque la desbrozadora sobre una superficie plana recostándola como se indica en el gráfico.
- Limpie alrededor de la tapa del tanque de combustible para evitar su contaminación.
- Afloje lentamente la tapa del tanque de combustible.
- Teniendo cuidado de evitar derrames vierta la mezcla de combustible en el tanque.
- **ATENCIÓN** Siga las especificaciones del combustible (página 3).
- Antes de tapar el tanque de combustible revise y limpie la junta.
- Coloque de inmediato la tapa del tanque de combustible y apriétela con la mano.
- Limpie todo derrame de combustible.
- **ATENCIÓN** En un motor nuevo, es normal que haya emisiones de humo durante y después de usarse por primera vez.

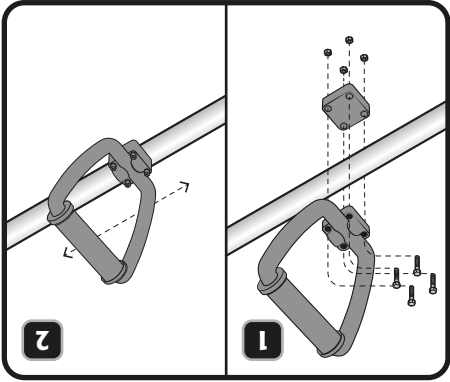
Eje

- Alinee el pasador de seguridad (a) del eje inferior con el orificio intermedio de la abrazadera (b).
- Presione el pasador de seguridad hacia abajo e inserte el eje inferior en la abrazadera.
- Suelte el pasador de seguridad; Asegúrese de que encaje en el orificio del eje superior.
- Apriete la perilla de bloqueo en sentido a las manecillas del reloj para asegurar la conexión (c).



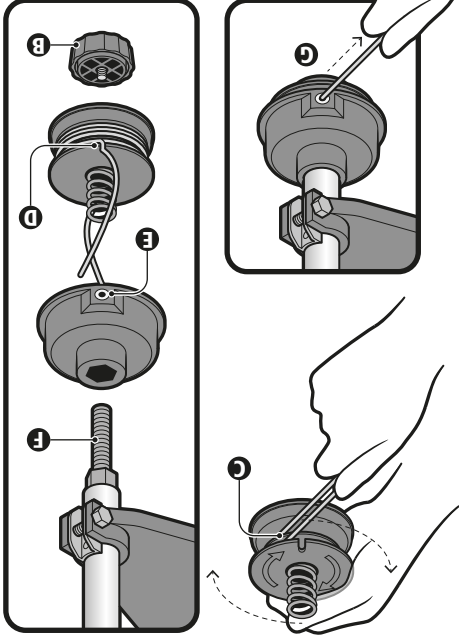
Mango auxiliar

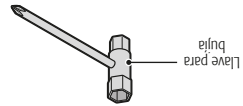
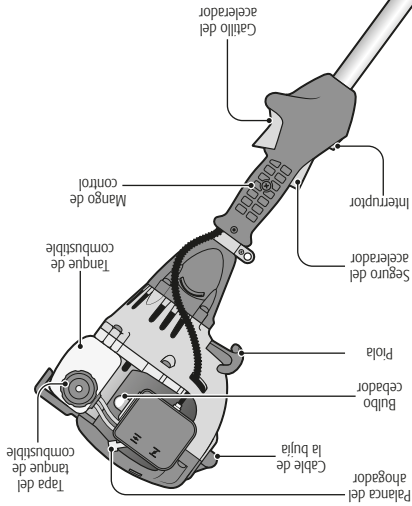
- Instale el mango auxiliar como se muestra en la imagen.
- Recorra el mango auxiliar por el eje de la desbrozadora a una altura adecuada para operar cómodamente.
- Apriete los tornillos para fijar la posición del mango auxiliar.



Reemplazo y montaje de hilo de corte

- Con la desbrozadora apagada retire la tapa de retención del carrete (B) girándola en sentido contrario a las manecillas del reloj.
- Retire el carrete vacío; asegúrese de que esté limpio y que no tenga partes dañadas o gastadas.
- Corte una pieza de hilo de corte de 5 m. Forme un rizo en el medio de la línea e inserte este rizo en el gancho interior del carrete (C). Tome el hilo y enrédelo en el sentido de las manecillas del reloj; Asegúrese de que cada extremo del hilo se enrrede en su sección respectiva (superior e inferior). No enrrede demasiado hilo; después de enrredarlo debe quedar una distancia mínima de 6 mm entre el borde del carrete y el hilo enrredado.
- Deje sin enrredar aproximadamente 20 cm de ambos extremos de hilo e inserte cada uno en una de las muescas del carrete (D) para que el hilo no se desenrede mientras instala el carrete en la desbrozadora; más adelante deberá liberar los hilos de sus muescas.
- Coloque de nuevo el carrete en su cubierta haciendo pasar los extremos de cada hilo por los orificios de la cubierta (E). Si el hilo se suelta o enrreda en este paso vuelva a enrredarlo en el carrete y asegúrelo en sus muescas.
- Coloque la cubierta del carrete en el eje (F) y asegure el carrete apretando la tapa de retención (B).
- Jale hacia afuera y con fuerza ambos extremos del hilo de corte para liberarlo de las muescas de la parte superior del carrete (G).



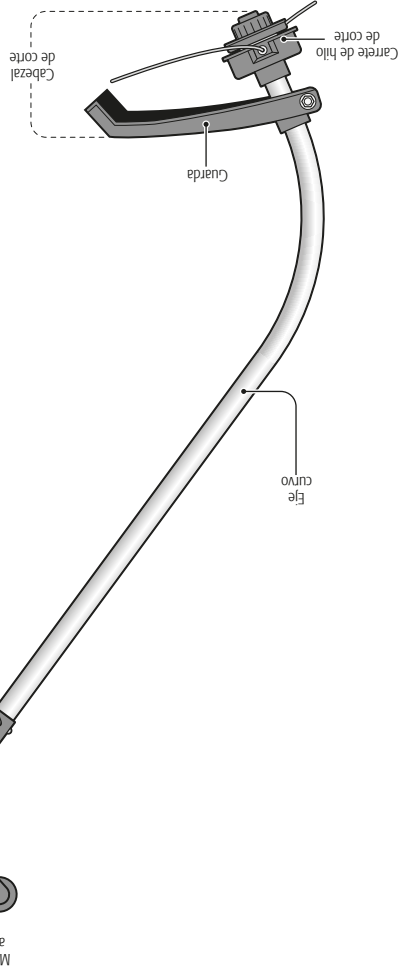
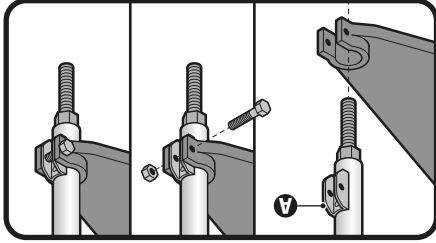


ADVERTENCIA • No intente modificar la desbrozadora o fabricar accesorios no recomendados para ella. De lo contrario puede sufrir lesiones personales serias e invalidar la garantía.
ADVERTENCIA • Siempre que ensamble las piezas desconecte el cable de la bujía del motor, con el fin de prevenir un arranque accidental que pueda ocasionar lesiones personales serias.

Ensamblado

Guarda

- Instale la guarda antes de montar el carrete de hilo, de lo contrario no podrá montar la guarda.
- Haga pasar la guarda por el extremo del eje curvo, asegúrese de alinear los orificios de la guarda con los orificios de la montura (A).
- Asegure la guarda con el perno y la tuerca.



Manejo de combustible

- Nunca fume cerca del combustible, ni de la zona en donde se abastezca de la gasolina, ni donde prepare la mezcla con el aceite, ni al operar la desbrozadora.
- Para reducir el riesgo de incendio o quemaduras mantenga el combustible con cuidado, es muy inflamable.
- No permita que la gasolina o el aceite tengan contacto con la piel.
- Protéjase los ojos para evitar salpicaduras de la gasolina y el aceite. En caso de contacto accidental lávelos inmediatamente con agua limpia. Si persiste la irritación acuda a un médico.
- Mezcle y almacene el combustible en un recipiente diseñado para tal fin.



ADVERTENCIA

Mezcle el combustible al aire libre lejos de cualquier chispa o llama.

Antes de reabastecer la desbrozadora de combustible pague el motor, colóquela en suelo despejado y espere a que el motor se enfríe.

ATENCIÓN

Limpie todo el combustible que pueda haber caído en la desbrozadora antes de operar.

Revisar si hay fugas de combustible, de ser así corrijalas antes de usar la desbrozadora, para evitar incendios o lesiones por quemaduras.

Aleje la desbrozadora por lo menos 9 metros (30 pies) del lugar de carga de combustible antes de arrancar el motor.

Bajo ninguna circunstancia quemar el combustible derramado para eliminarlo.

Por ningún motivo utilice cualquier otro tipo de combustible que el especificado para la desbrozadora en este instructivo.

Antes de operar la desbrozadora

- Equípese con ropa adecuada para operar la desbrozadora: ropa ajustada, pantalones gruesos, botas de seguridad, guantes protectores para trabajo pesado, y anteojos de seguridad con protección lateral bajo la norma ANSI Z87.1.



ADVERTENCIA

Retírese cualquier accesorio o ropa holgada que pueda ser atrapado por cabezal de hilo en movimiento. Recójase el cablejo para que quede por arriba del nivel de los hombros.

Aségurese de que la desbrozadora se encuentre en perfectas condiciones. No la encienda si se encuentra mal ajustada o no está armada completamente de manera que funcione de forma segura o el tanque de combustible presente alguna fuga o tiene algún tornillo flojo.

Aségurese de que la desbrozadora se encuentren limpia, seca y libre de aceite o combustible.

Aségurese de que el área de trabajo se encuentre en una área abierta y bien ventilada.

Revise el área de trabajo y retire cualquier piedra, vidrios rotos, clavos, alambre o cuerda. Pues podrían ser lanzados o entredarse en la desbrozadora.

En temperaturas extremas revise que no hayan formaciones de hielo o condensación en la desbrozadora.

Al operar la desbrozadora

- Mantenga a los transeúntes, niños y animales alejados, a no menos de 15 m de distancia.
- Aségurese de que el cabezal de hilo no esté en contacto con algún objeto antes de arrancar el motor.
- Mantenga ambos pies apoyados firmemente en el piso y ambas manos sujetando la desbrozadora por los mangos, jamás la opere con una sola mano, de lo contrario pueden resultar lesionados el operador, y demás personas presentes.
- Mantenga todas las partes del cuerpo alejadas del cabezal de corte cuando esté funcionando el motor.
- Siempre mantenga el cabezal de corte apuntando hacia abajo, por debajo del nivel de su cintura y jamás lo levante más de 75 cm del suelo.
- Mantenga todas las partes del cuerpo alejadas del silenciador, puede producirle una quemadura seria.
- No utilice la desbrozadora para cortar maleza leñosa, inflamables.
- Esté atento a riesgos en su entorno, el ruido de la desbrozadora podría evitar que los note.

ATENCIÓN

Mantenga a los transeúntes, niños y animales alejados, a no menos de 15 m de distancia.

ADVERTENCIA

Mantenga ambos pies apoyados firmemente en el piso y ambas manos sujetando la desbrozadora por los mangos, jamás la opere con una sola mano, de lo contrario pueden resultar lesionados el operador, y demás personas presentes.

Mantenga todas las partes del cuerpo alejadas del cabezal de corte cuando esté funcionando el motor.

Siempre mantenga el cabezal de corte apuntando hacia abajo, por debajo del nivel de su cintura y jamás lo levante más de 75 cm del suelo.

Mantenga todas las partes del cuerpo alejadas del silenciador, puede producirle una quemadura seria.

Mantenga a los transeúntes, niños y animales alejados, a no menos de 15 m de distancia.

Esté atento a riesgos en su entorno, el ruido de la desbrozadora podría evitar que los note.

En caso de realizar trabajos cerca de vías de tránsito suspenda el corte hasta que no haya vehículos a la vista. La desbrozadora podría lanzar partículas hacia los vehículos en movimiento y pueden desencadenar un accidente grave.


Después de operar la desbrozadora

- No intente detener el movimiento giratorio del cabezal de corte de ninguna otra forma que apague el interruptor. Espere a que se detenga por sí mismo después de apagar la desbrozadora.
- Siempre traslade la desbrozadora con el motor apagado, y con el silenciador alejado del cuerpo. Antes de subir a un vehículo vacíe el tanque de combustible.
- Apague el motor antes de poner en reposo la desbrozadora. No deje el motor funcionando sin prestarle atención. Deje que se enfríe antes de almacenar la desbrozadora.
- El servicio y reparación de la desbrozadora debe de ser realizado sólo por un Centro de Servicio Autorizado **TRUPER**.

DES-25P


• Código	22430
• Descripción	Desbrozadora a gasolina
• Peso neto	5,2 kg (sin combustible)
• Capacidad del tanque	500 ml
• Cilindraje del motor	25 cm ³ (cc)
• Capacidad del motor	800 W (1 Hp)
• Velocidad	7 500 r/min
• Tipo de cabezal de corte	Carrete de nailon
• Capacidad de corte	43 cm (17")
• Diámetro de hilo de corte	2 mm a 2,7 mm
• Ciclo de trabajo	40 minutos de descanso por cada tanque consumido. Máximo diario 5 horas.

Especificaciones de combustible

- La desbrozadora tiene un motor de 2 tiempos enfriado por aire que utiliza una mezcla de gasolina sin plomo y aceite automezclante de alta calidad con estabilizador de combustible especificado para motor de dos tiempos enfriado por aire.
- El motor está certificado para funcionar con gasolina sin plomo para vehículos con un octanaje de 87 (R+M/2) o más.
- No use ningún tipo de gasolina premezclada con aceite adquirida en gasolineras, como la destinada a motocicletas.
- No use aceite de uso automotor ni aceite para motores fuera de borda de 2 tiempos.
- La relación de la mezcla debe de ser de 50 tantos de gasolina por 1 de aceite (proporción 50:1). Prepare la mezcla en un recipiente aprobado para gasolina. Siempre mezcle bien antes de verterlo en el tanque del motor.
- No utilice mezcla de combustible almacenada durante mas de 7 días. Haga la mezcla en pequeñas cantidades.
- Nunca fume cerca del combustible, ni de la zona en donde se abastezca de la gasolina, ni donde .
- Prepare la mezcla con el aceite, ni al operar la desbrozadora.


ADVERTENCIA Cualquier intento de arrancar la desbrozadora sin añadirle aceite a la mezcla de combustible provocará fallos en el motor.

Utilice la tapa del aceite**ACES-2, ACES-5 o ACES-20 TRUPER como medida para preparar la mezcla. Mezcle 4 tapas de aceite con cada litro de gasolina



Gasolina
1 litro

+



4 tapas de aceite

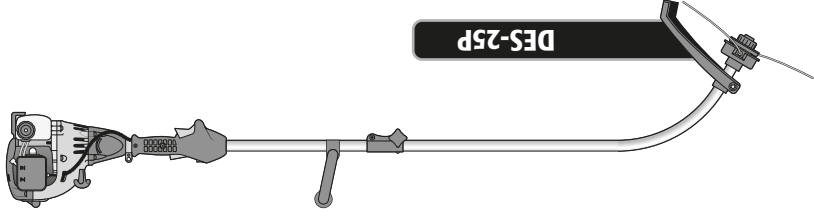
=



Mezcla
50:1
proporción

!Una mezcla incorrecta puede provocar que la máquina se despile, ocasionando costosas reparaciones!

Para alargar la vida útil del motor use aceite sintético TRUPER para motores de dos tiempos. * 1 galón = 3,78 litros. ** No incluidos.



Los gráficos de este instructivo son para referencia, pueden variar del aspecto real de la herramienta.

Para poder sacar el máximo provecho de la herramienta, alargue su vida útil, hacer válida la garantía en caso de ser necesario y evitar riesgos o lesiones fatales, es fundamental leer y comprender este instructivo por completo antes de usar la herramienta.

Guarde este instructivo para futuras referencias.

¡ATENCIÓN!

- 3 Especificaciones técnicas
- 3 Especificaciones de combustible
- 4 Advertencias de Seguridad para herramientas motorizadas
- 5 Advertencias de Seguridad para uso de desbrozadoras
- 6 Partes
- 6 Ensamblado
- 8 Abastecimiento de combustible
- 8 Encendido
- 9 Operación
- 10 Mantenimiento
- 11 Solución de problemas
- 12 Notas
- 13 Centros de Servicio Autorizados
- 14 Póliza de Garantía





Lea este instructivo por completo antes de usar la herramienta.

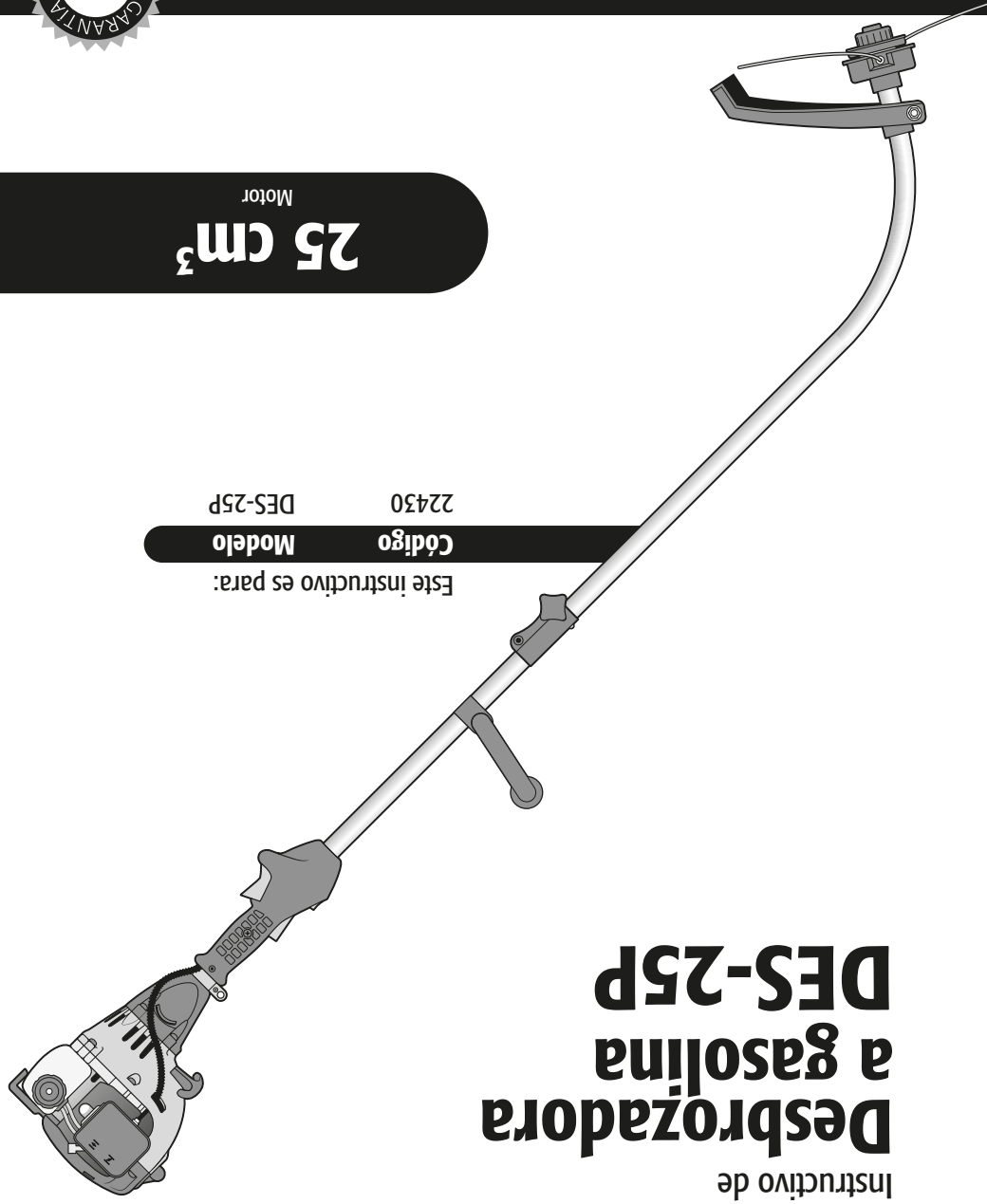


ATENCIÓN

25 cm³
Motor

Este instructivo es para:
Código 22430
Modelo DES-25P

Instructivo de Desbrozadora a gasolina DES-25P



PRETUL[®]

ESPAÑOL
ENGLISH