

Manual Water Pump



Agricultural Use

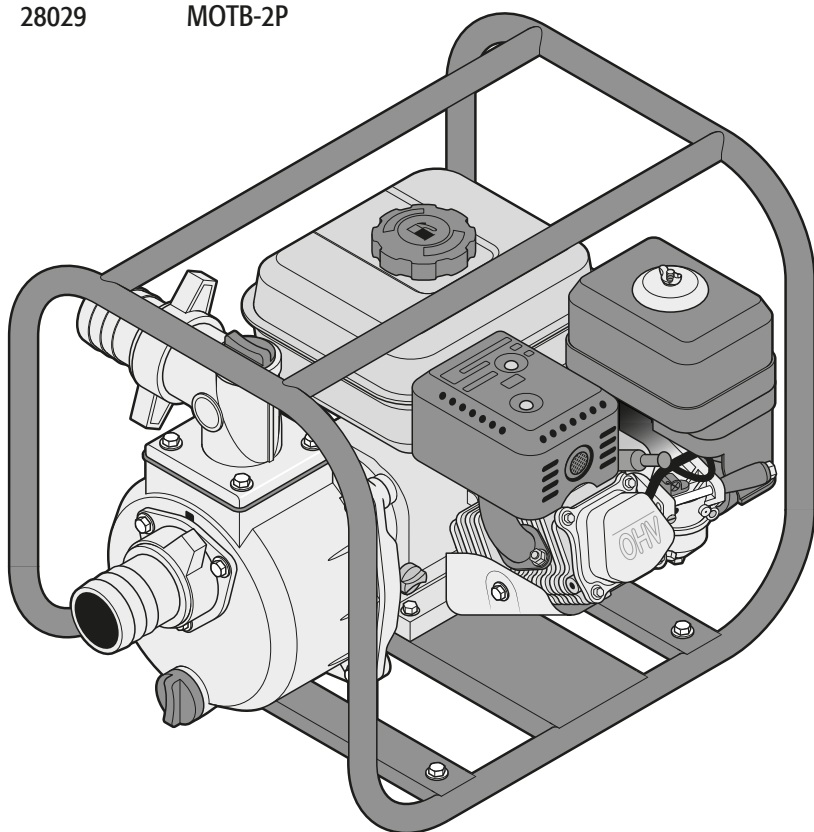
Applies for:

Code

Model

28029

MOTB-2P





 **CAUTION**



Read this manual thoroughly
before using the tool.



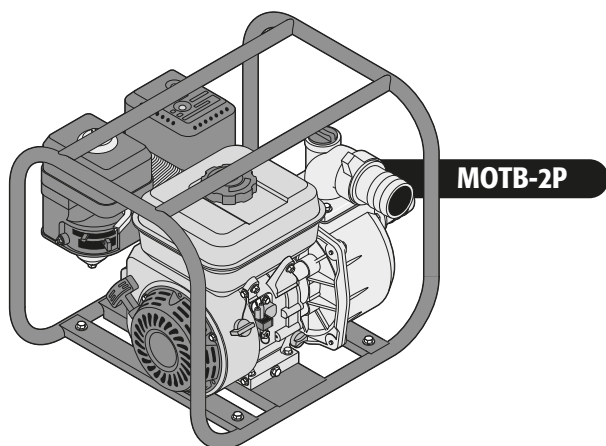
Technical Data	3
Fuel Specifications	3
 General Safety Warnings for Motor Tools	4
 Safety Warnings for Water Pumps	5
Parts	6
Assembly	7
Set Up	8
Fuel and Oil	9
Start Up	10
Maintenance	11
Troubleshooting	13
Notes	14
Authorized Service Centers	15
Warranty Policy	16

CAUTION

To gain the best performance of the tool, prolong the duty life, make the Warranty valid if necessary, and to avoid hazards of fatal injuries please read and understand this Manual before using the tool.

Keep this manual for future references.

The illustrations in this manual are for reference only. They might be different from the real tool.



MOTB-2

Code •	28029
Description •	Water Pump
Motor Cylinders •	212 cc
Motor Rated Power •	6.5 Hp
Motor Type •	4-stroke OHV
No Load Speed •	3 650 RPM - 3 700 RPM
Fuel •	Gasoline
Gas Tank Capacity •	0.8 gal
Fuel Yield at 100% Fill Up •	1.66 hours
Oil Type •	SAE 10W/30
Inlet and Outlet Diameters •	2"
Maximum Suction Depth •	16.4 feet
Maximum Height •	82 feet
Maximum Flow •	132 gal/min
Noise Level •	Lower than 81 dB at 13'
Thermal Energy Consumption •	1.39 L/h
Weight •	44 lb

Fuel Specifications

- The equipment has an air-cooled 4-stroke motor using pure unleaded gasoline.
- For no reason at all mix oil with the fuel.

⚠ WARNING • For no reason at all use fuel mixed with ethyl alcohol (gasohol), ethanol or methane. These attract humidity causing separation and acid build up when stored. Acidity can damage the motor fuel system when stored.

• To avoid having problems with the motor, please drain the fuel system before storing the equipment 30 days or longer. Drain the gasoline tank, start the motor and leave it running until the fuel lines are empty. Next season, use fresh gasoline.

- Never use inside the gasoline tank products to clean motors or carburetors. Those products can cause permanent damage to the Motor.

Do not use the equipment in closed areas.

⚠ DANGER Prevent breathing accumulated carbon monoxide, an odorless, toxic and potentially fatal gas.



Never smoke near fuel.

⚠ DANGER Do not smoke near the filling-up area or while operating the equipment.



Keep your work area clean, tidy and well lit.

CAUTION Cluttered and dark areas may cause accidents.



Never use the tool in explosive areas or in the presence of flammable liquid.

DANGER Before starting the motor keep the tool at least 9 meters (30 feet) away from the fill up area.



Keep children and passersby at a safe distance while operating the tool.

WARNING Distractions could cause losing control and cause accidents.



Avoid contact with power lines and circuits.

DANGER Find and avoid power lines and circuits, especially hidden wiring as well as any grounded object.



Stay alert, use care and common sense.

CAUTION Familiarity with the tool operation could lead to distractions. It could cause accidents.

Refrain from using the tool if tired or under the influence of drugs, alcohol or medication.

DANGER Being momentarily distracted while using the tool could cause severe personal injury.

Operate the tool with guards and protection devices in place and in good working condition.

WARNING Failure to comply with this warning is a hazard of severe personal injury.

Do not force the tool.

CAUTION Working within the tool's working design assures a better and safer job.



Keep the tool in a safe place and out of the reach of children.

WARNING Motor powered tools are dangerous to inexperienced people.



Wear proper clothes.

WARNING Loose clothes, jewelry or long hair could get caught in the mobile parts.



Keep hands away from rotating and/or mobile parts.

WARNING Failure to comply with this warning is a hazard of severe personal injury.



Do not operate the tool in enclosed areas.

DANGER Avoid breathing accumulated carbon monoxide, a potentially deadly odorless toxic gas.



Wear adequate protective safety accessories.

CAUTION Wear eye protection, dust mask, non-skid safety shoes, helmet and ear plugs. These safety gears reduce the risk of injury.



Turn off the tool before adjusting, changing accessories or storing.

WARNING Double check the tool switch is in the off position.

Refrain from operating the tool if the switch is not working or is not properly assembled.

WARNING Failure to comply with this warning is a hazard of personal injury. Immediately send it to a **TRUPER** Authorized Service Center.

Do not overreach.

CAUTION Good balance and support lead to better controlling the tool in unexpected situations.

Avoid the tool to unintentionally start.

WARNING Double-check the tool motor is off before maintenance or putting it away.



Remove brackets before turning on the tool.

DANGER Additional tools or vices installed in a rotating part could cause severe personal injury.

Service the tool and double-check it is in good working conditions before operating.

CAUTION Carefully check mobile parts, alignment and assembly. Do it periodically. Look for any damaged element or part not working properly. Repair immediately in a **TRUPER** Authorized Service Center.



Accessories.

CAUTION Use only accessories or spare parts indicated in this Manual or certified by **TRUPER**.

Never leave a running tool unattended.

DANGER Turn off and disconnect the tool after using. Set it in a safe position to avoid severe injury.

Never smoke in the proximity of fuel.

DANGER Do not smoke in the proximity of the fuelling area or when using the tool.



Do not touch parts with high temperatures.

The surface of the engine and the exhaust reach high temperatures during the operation of the tool.

Service and repair.

Always go to a **TRUPER** Authorized Service Center to use identical spare parts and maintain the security of the tool.



Appropriate use

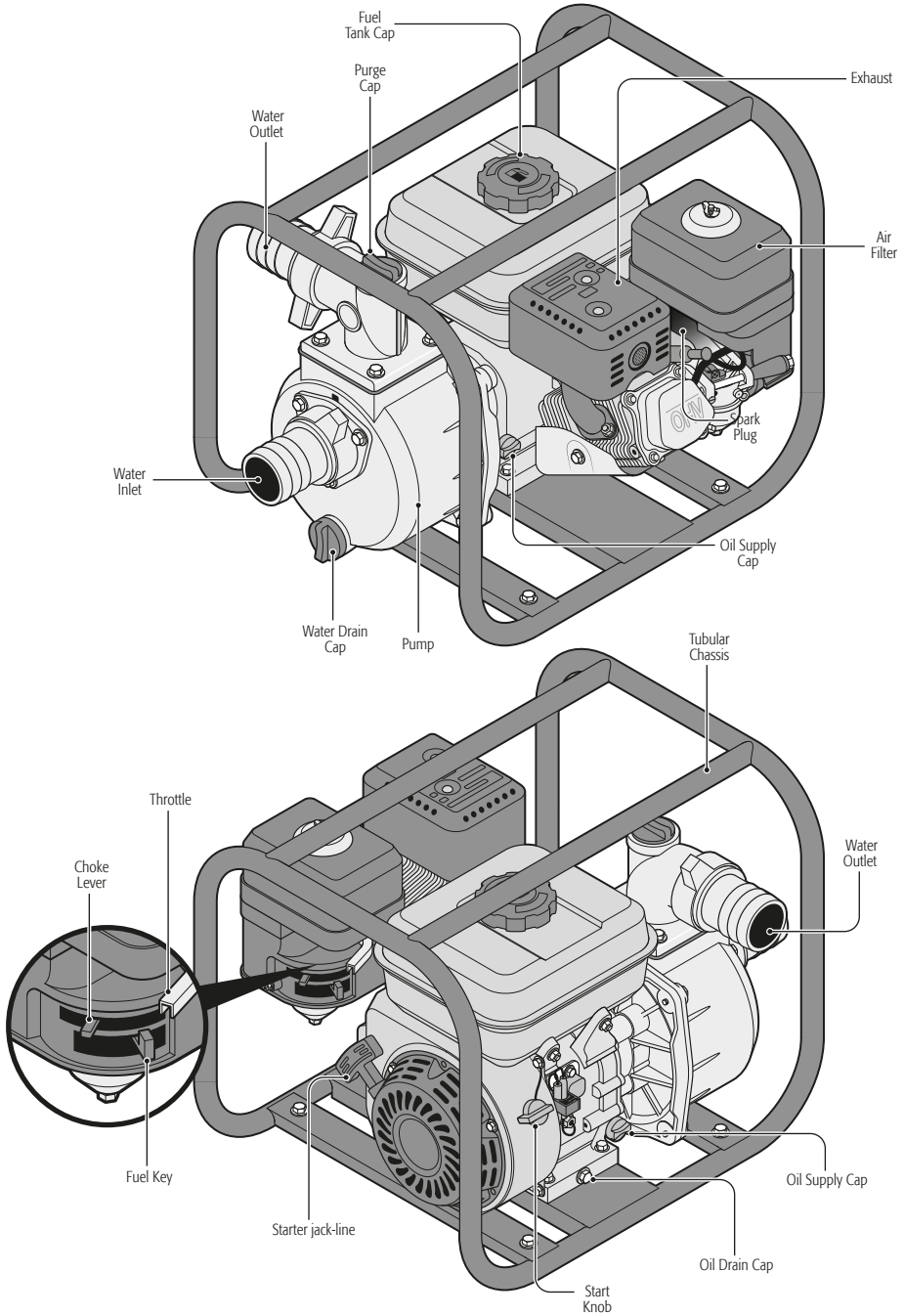
- Do not use the pump to pump flammable or corrosive liquids such as gasoline, oils and acids, neither pumping sea water, fuels and / or similar substances.
- Set the pump on a firm, flat surface, 3,2 feet at least away from any wall and away from flammable things.
- Double check you know how to stop and operate the pump. Never let the pump be used under risky conditions or violating safety regulations.
- Inadequate use of the pump or modifications, components not approved or tested by the manufacturer, liberates the manufacturer from any legal liability.

⚠ WARNING • Do not install the water pump in areas where there is risk of explosion or near liquid fuels or gases.

- ⚠ WARNING** • Do not aim the water jet against the water pump or other electrical components. There is danger of death due to electric shock.
- Symbols adhered onto the water pump shall not be removed or covered. All information regarding the equipment that is no longer legible shall be immediately replaced.
 - Read and obey the operation instructions before installing or starting the motor pump. Any malfunction caused by omission of the indications in this manual can damage the pump and make the Warranty void.
 - The time it takes for the water to start flowing through the pump may vary depending on the suction depth. Do not operate the pump empty (with no water) longer than 12 minutes. This action could damage the mechanical seal in the system.
 - Before starting the pump verify the suction hose is properly connected. Water leaks in the connection will prevent the right operation of the pump.
 - The pump is built with an oil level sensor bulb that prevents the motor to start if the level is not the right one.
 - Purge the pump before each operation once it is connected and set in the working place.

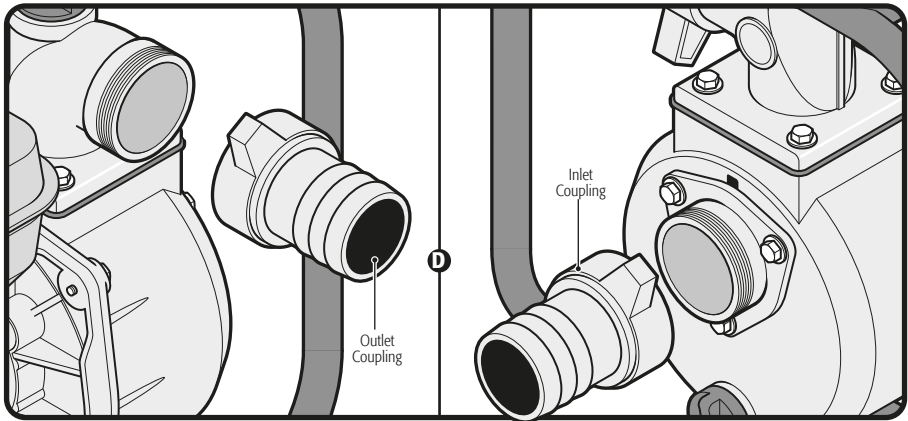
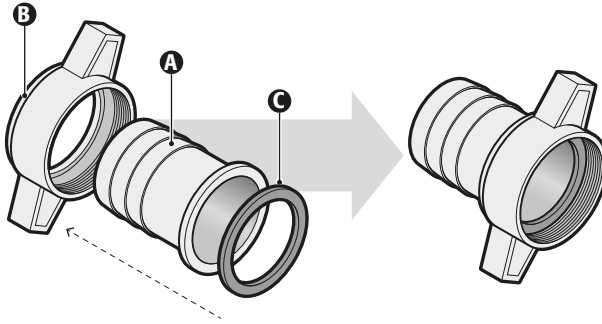
Fuel Handling

- Never smoke close to where there is fuel, nor the filling up zone or when operating the pump. 
 - To reduce risk of fire or burns, handle fuel with care. It is extremely flammable. 
 - Prevent gasoline or oil to be in contact with your skin.
 - Protect your eyes to guard off gasoline or oil splashes. In the event of accidental contact, wash immediately with clear water. If irritations persist, go see a physician.
 - Store fuel in a dedicated container.
- ⚠ WARNING** • Before re-fueling, shut down the motor, set the equipment on clear terrain and wait for it to cool down.
- ⚠ CAUTION** • Wipe clean all the spilled fuel before operating the equipment.
- ⚠ CAUTION** • Check for fuel leaks to prevent fire, or burns. If there are leaks, mend them before using the pump.
- Under no reason at all burn spilled fuel to get rid of it.
 - Por ningún motivo utilice cualquier otro tipo de combustible que el especificado en el instructivo.



Coupling Mounting

- Insert the coupling (A) in the screw (B) as shown in figure.
- Set the seal (C) in the coupling.
- Screw the screw in the inlet / outlet of the pump (D).



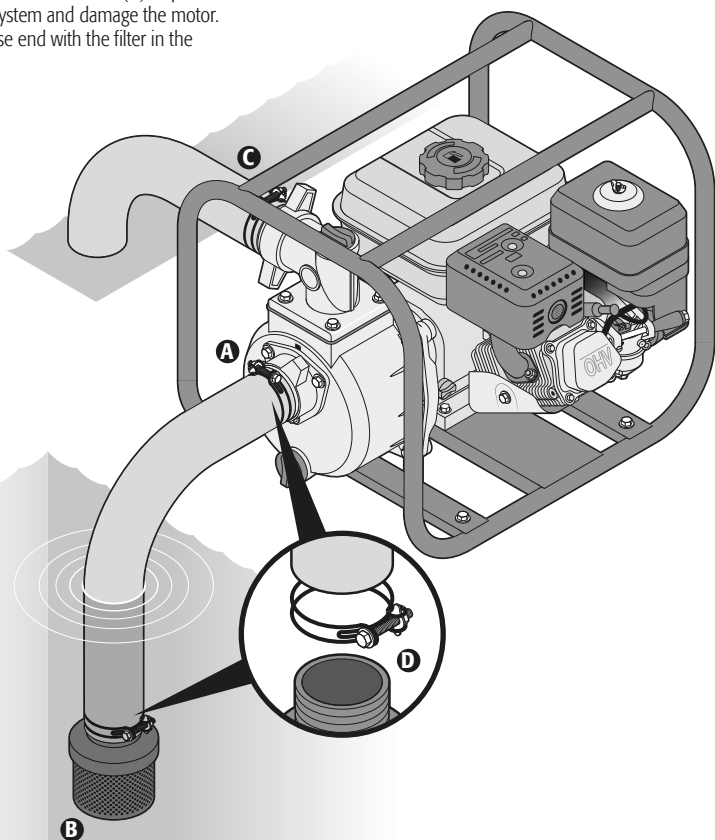
- Place the equipment on a dry, firm, flat and leveled surface.
- Connect one end of the suction hose (not included) to the pump water inlet (A), and the other end of the hose to the filter (B).
- Set the release hose (not included) to the pump water outlet (C).

⚠ CAUTION • All the connections shall be secured with the right clamps (D).

⚠ CAUTION • Hoses shall be continuous, with no twists in their structure. Length of the suction hose shall not exceed the required length to operate the pump correctly.

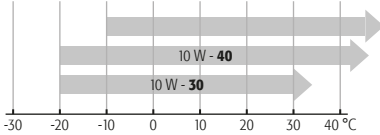
⚠ CAUTION • Using a filter is essential (B) to prevent particles entering into the system and damage the motor.

- Submerge the suction hose end with the filter in the water source.



Oil Supply (A)

- Set the equipment onto a flat and leveled surface.
- Turn and remove the oil supply cap.
- Use 4-stroke motor oil. Using SAE 10W/30 general oil for all temperatures is recommended. As indicated in the following table, other viscosities can be used when the local average temperature is within the indicated range.



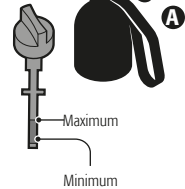
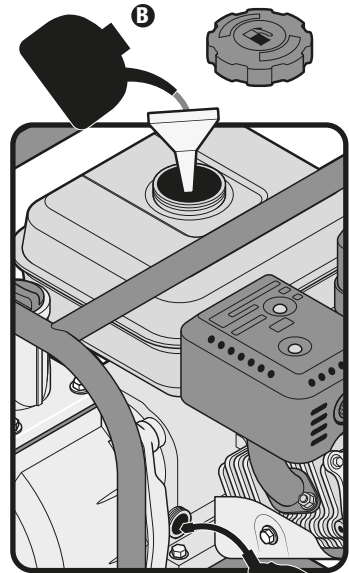
- Set back the cap and remove it to check oil level in the cap oil measuring rod.
- Once the oil tank is in the right level indicated in the rod, tighten the cap to prevent leaks.
- ⚠ **CAUTION** • Do not exceed the oil maximum level because it causes a lot of smoke when starting the motor.
- ⚠ **CAUTION** • Check the oil level before each use. If necessary, add oil until the level is between the limits in the cap rod.
- ⚠ **CAUTION** • Replace oil after 20 hours' operation or each season. It may be necessary to replace oil more often during dusty or dirt conditions.

High Altitude Operation

- In high altitudes, the air-fuel combination in a standard carburetor will be rich in fuel. Performance will be low and fuel consumption will increase.
- Performance while operating in high altitudes may improve if the carburetor is regulated adjusting the main knob. The machine is adjusted to operate at altitudes above 6000 feet over sea level. If noticing the machine is not operating efficiently go to a **TRUPER** Authorized Service Center to carry out the modification needed in the carburetor.
- Even though the carburetor is having an adequate injection, the motor power will diminish approximately 3,5% per each increase of 1000 feet after 6890 feet above sea level. The power decrease will be higher if no modifications are carried out in the carburetor.
- ⚠ **WARNING** • If the machine is operated in a height inadequate to the carburetor adjustment, low performance, overheating and severe damage in the motor can be caused due to the excessive air mix in the fuel.

Fuel Supply (B)

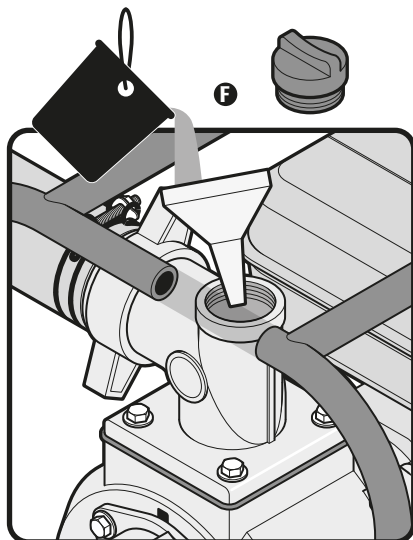
- Set the Pressure Washer on a flat and leveled surface.
- Clean and dry the area around the fuel cap.
- Remove the fuel cap.
- Using a funnel fill slowly the fuel tank up to the lower part of the tank neck. Do not overfill to allow fuel expansion and prevent spillage.
- Clean any fuel spills.
- Cover the tank rotating the cap until hearing a click.
- Clean any spilled fuel before starting up.



Purge

- The system shall be purged of any air bubble by filling the pump with clear water before starting.
- Remove the purge cap (F). Fill up with water up to the orifice level and screw back the cap. Only then the pump can be started.

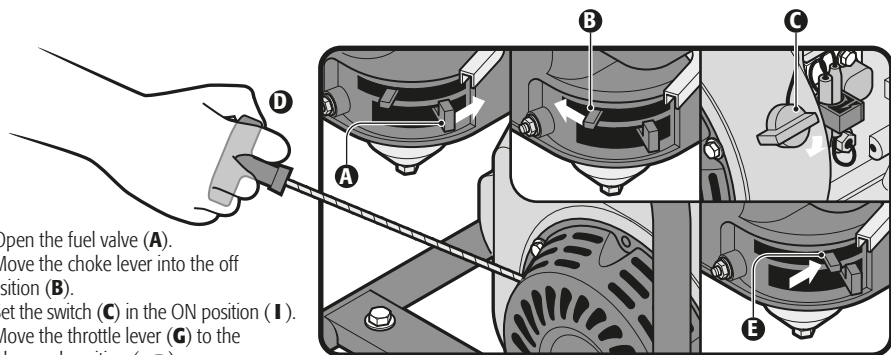
⚠ WARNING Never start the pump when empty. If it accidentally starts shut down the pump immediately, wait until it cools down and fill it again with clean water.



Start Up

⚠ CAUTION Before starting the pump some topics need to be taken care of. Otherwise it can get damaged and the Warranty cancelled:

- All the hoses shall be disconnected, totally untangled and with no kinks.
- Water supply shall be connected and fully open.
- Gasoline and oil levels shall be right.
- The system shall be purged as previously indicated.



- Open the fuel valve (A).
- Move the choke lever into the off position (B).
- Set the switch (C) in the ON position (I).
- Move the throttle lever (G) to the high-speed position (↘).
- Slowly pull the starter lever (D) until filling resistance in the line. Then, pull with force to start the motor. **⚠ CAUTION** Carefully return the lever to its place. do not release it, otherwise it would snap back and get damaged.
- Allow the motor to run 5 seconds, and then move the choke lever into the "ON" position (E).

⚠ CAUTION • Keep on paying CAUTION to the water source level because during the pumping operation the level could go so low until the suction hose end is out of the water. In this situation turn off the pump immediately and correct the suction hose depth. Avoid making the pump function with no water, otherwise it may get damaged.



Shut OFF

- Move the throttle lever (G) into the low speed position (↘).
- Turn off the switch (C).
- Move the fuel lever (A) moving the lever into the closed (OFF) position.
- Move the choke lever (D) into the "OFF" position.

⚠ CAUTION • To stop the motor during an emergency, set the motor switch directly into the "OFF" position.

Maintenance

PRETUL®

- CAUTION** • Regular and careful maintenance is essential to maintain the safety levels and the optimal performance of the equipment.
- Before cleaning, repairing, inspecting or storing the equipment, shut off the motor and wait until the motor is completely cooled down.
 - Keep nuts, bolts and screws tight to assure the equipment is in a safe working condition.
 - Do not alter the safety devices. Verify regularly if they work right.

- Any worn or damaged part shall be replaced before using the equipment. Do not try to repair the parts. It can damage the equipment and become a risk to your safety.
- Any repair or maintenance works different to those described in this section, for example, adjusting the carburetor, shall be carried out only in a **TRUPER** Authorized Service Center.

Regular Maintenance

	Before Each Use	Every 20 h or each month	Every 50 h or 3 months	Every 100 h or 6months	Every 300 h or every year
General Inspection	Carry Out				
Motor Oil	Check	Change		Change	
Air Filter	Check		Clean (1)		
Sediment Container				Clean	
Spark Plug				Clean / Readjust	
Valve Clearance					Clean / Readjust (2)
Fuel Tank and Sieve					Clean (2)
Fuel Line		Check and replace every 3 years if necessary (2)			
Fuel Tank Cap				Clean	
Fuel Filter					Clean

1. When operating the equipment in dusty places carry out maintenance more frequently.
2. Go to a **TRUPER** Authorized Service Center for this service.

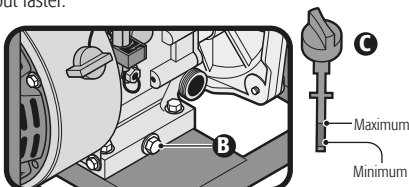
Air Filter

- Check the air filter to ensure is in good conditions. Remember, a dirty filter can make starting difficult, loosing performance and shorten the working life of the motor.
- Remove the wing nut, then remove the filter cover and the filter element.
- Set apart both the sponge filter from the paper filter elements.
- Wash the sponge filter with a detergent and hot water solution. Let the filter dry completely.
- Soak the sponge filter in clean SAE-20 motor oil. Squeeze out until eliminating excessive oil. The motor may expel smoke during start up if too much oil is left.
- Install back the filter in its container and set the cover back in place.

CAUTION Never use gasoline to clean the air filter. It could cause an explosion or fire. Never start the motor with the air filter removed. The motor will wear out faster.

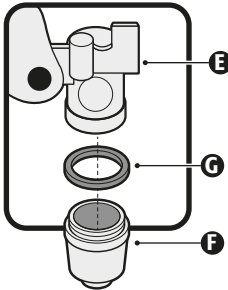
Oil Replacement

- The oil drain cap is under the motor (**B**).
- Set the dedicated container underneath the motor to receive the oil. Remove the drain cap and then, the tank cap (**C**). When the oil has drained, set back the drain cap.
- Wipe clean any leak or spill.
- Fill up the tank with SAE-10W/30 oil.
- Check oil level placing the oil tank cap without screwing it back. Oil level shall be between the *maximum* and *minimum* marks in the oil measuring rod. Double check the level is not exceeding the *maximum* mark. When the level is right, tighten the tank cap.
- Start the motor. Leave it running a few moments. Stop the motor, wait one minute and check again oil level. Fill up if necessary.
- For no reason at all, pour oil in the drain. Take used oil and oil filter to a recycling unit.



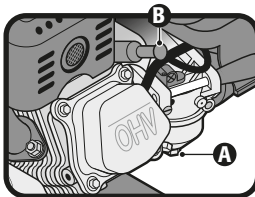
Fuel Filter

- The fuel filter stops water or dirt present in the fuel tank to enter into the carburetor. If the motor has not been run after a long period of time, the sediment container need cleansing.
- With the motor off and ambient temperature close the fuel key (E).
- Remove the sediment container (F). Clean its interior.
- Leave the container drying completely.
- Verify the washer (G) is in good conditions and set the sediment container back in place.
- The tank fuel filter shall be washed according to the maintenance program indicated in page 11.



Fuel Drain

- Set a dedicated container under the tank to receive gasoline. Use a funnel to prevent fuel spills.
- Close the fuel key. Remove and clean the fuel filter as indicated above.
- Before setting the filter, open the filter key to drain all the fuel tank contents. When drained, place the filter and the sediment container.
- Set a dedicated container under the carburetor to receive gasoline. Use a funnel to prevent fuel spills.
- Remove the drain bolt (A).
- When fuel has been drained into the container, set the drain bolt back and the washer. Tighten firmly.
- Wipe clean all the fuel spills.



Spark Plug

- Before removing the spark plug (B), wipe clean the area around the spark plug base to stop dust and debris entering the motor. Then, using a spark-plug wrench remove the spark plug.
- Clean the carbon deposits from the spark plug electrodes using a spark plug cleaner or a wire brush.
- Replace the old spark plug with a new one if damaged, worn or if in doubt.
- Measure the gap between both electrodes. Use a spark plug gauge. The distance between the center electrode and the side electrode shall be between 0,27" and 0,31"
- Check the spark plug washer is in good conditions. Insert the spark plug manually to prevent maladjustment.
- After setting the spark plug, tighten with a spark plug wrench to compress the washer.

⚠ CAUTION If installing a new spark plug, tighten half-a-turn until the spark plug is in place and can press the washer. If installing a used spark-plug, tighten 1/8 of a turn after the spark plug is in place and can press the washer.

⚠ WARNING Improperly installed or out of range spark plugs cause overheating and damage the motor.

Storing and Transportation

- When moving the equipment, shut down the motor switch and close the fuel key. Keep the equipment leveled to prevent fuel spills.
- When storing the equipment long periods of time:
- Drain completely all the fuel as indicated in the previous paragraph. Then, start the motor until all the fuel inside the motor is consumed.
- Replace oil as indicated in page 11.
- Remove the spark plug and pour a spoonful of SAE-10W/30 oil into the cylinder. Pull the jack-line to distribute the oil through the system. Set the spark plug back in place.
- Pull softly the jack-line handle until feeling resistance. This indicated the cylinder is reaching the compression phase and the escape and absorption valves are closed. Storing the equipment in these conditions prevents internal corrosion.
- Wipe clean the equipment with a damp cloth and cover it to prevent dust accumulation.
- Store the equipment in a clean, dry place, away from the reach of children.

Problem

Cause

Solution

Motor does not start.

- The switch is OFF.
- Not enough fuel.
- Oil level is too low or there is no oil.
- Gasoline is not getting into the carburetor.
- No spark in the spark plug.

- Turn ON the switch.
 - Fill up fuel tank.
 - Check oil level as indicated in page 9.
 - Having the fuel tank full, verify fuel flow in the carburetor:
 1. Set a dedicated container under the carburetor and use a funnel to prevent fuel spills.
 2. Remove the drain bolt. Fuel shall flow freely. Otherwise, go to a  **TRUPER** Authorized Service Center.
 - Verify the spark plug spark:
 1. Disconnect the spark plug cable, wipe clean dust around the spark plug and remove it.
 2. Connect the cable to the spark plug.
 3. Turn on the motor.
 4. Make the spark plug electrode contact any metal part in the motor that is free of fuel.
- CAUTION** Is important to carry out tests in a ventilated area with no fuel spilled, otherwise an explosion may occur.
5. Pull the jack-line handle to generate a spark between the spark plug central electrode and the metal part. If there is no spark, the spark plug needs replacement.
 6. If with a new spark plug still is no spark go to a  **TRUPER** Authorized Service Center.

The motor starts but stops unexpectedly.

- Oil level is too low.

- Check motor level as indicated on page 9. Start the motor again.

The pump is not pumping water.

- The suction hose is put from the water source.
- The filter is blocked.
- The hose is tangled.
- The suction distance is too high.


- Submerge the suction hose end.
- Remove obstacles from the filter.
- Straighten the hose.
- Do not go over the 5m height needed for suction.

If problems persist despite all the corrective actions contact a  **TRUPER** Authorized Service Center.

A series of horizontal dotted lines for writing notes.


Authorized Service Centers

PRETUL®

In the event of any problem contacting a Service Center, please see our webpage www.truper.com to get an updated list, or call our toll-free numbers (800) 690-6990 or (800) 018-7873 to get information about the nearest  **TRUPER** Authorized Service Center.

- AGUASCALIENTES** **DE TODO PARA LA CONSTRUCCIÓN**
GRAL. BARRAGÁN #1201, COL. GREMIAL, C.P. 20030,
AGUASCALIENTES, AGS. TEL.: 449 994 0537
- BAJA CALIFORNIA SUR** **SUCURSAL TIJUANA**
AV. LA ENCANTADA, LOTE #5, PARQUE INDUSTRIAL EL
FLORIDO II, C.P. 22244, TIJUANA, B.C.
TEL.: 664 969 5100
- FIX FERRETERÍAS**
FELIPE ANGELES ESQ. RUIZ CORTÍNEZ S/N, COL. PUEBLO
NUEVO, C.P. 23670, CD. CONSTITUCIÓN, B.C.S.
TEL.: 613 132 1115
- CAMPECHE** **TORNILLERÍA Y FERRETERÍA AAA**
AV. ALVARO OBREGÓN #524, COL. ESPERANZA
C.P. 24080 CAMPECHE, CAMP. TEL.: 981 815 2808
- CHIAPAS** **FIX FERRETERÍAS**
AV. CENTRAL SUR #27, COL. CENTRO, C.P. 30700,
TAPACHULA, CHIS. TEL.: 962 118 4083
- CHIHUAHUA** **SUCURSAL CHIHUAHUA**
AV. SILVESTRE TERRAZAS #128-11, PARQUE INDUSTRIAL
BAFAR, CARRETERA MÉXICO CUAUHTÉMOC, C.P. 31415,
CHIHUAHUA, CHIH. TEL. 614 434 0052
- MÉXICO CITY** **FIX FERRETERÍAS**
EL MONSTRUO DE CORREGIDORA, CORREGIDORA # 22,
COL. CENTRO, C.P. 06060, CUAUHTÉMOC, CDMX.
TEL: 55 5522 5031 / 5522 4861
- COAHUILA** **SUCURSAL TORREÓN**
CALLE METAL MECÁNICA #280, PARQUE INDUSTRIAL
ORIENTE, C.P. 27278, TORREÓN, COAH.
ORIENTE. TEL: 871 209 68 23
- COLIMA** **BOMBAS Y MOTORES BYMTESA DE MANZANILLO**
BLVD. MIGUEL DE LA MADRID #190, COL. 16 DE
SEPTIEMBRE, C.P. 28239, MANZANILLO, COL.
TEL.: 314 332 1986 / 332 8013
- DURANGO** **TORNILLOS ÁGUILA, S.A. DE C.V.**
MAZURIO #200, COL. LUIS ECHEVERRÍA, DURANGO,
DGO.TEL.: 618 817 1946 / 618 818 2844
- ESTADO DE MÉXICO** **SUCURSAL CENTRO JILOTEPEC**
AV. PARQUE INDUSTRIAL #1-A, JILOTEPEC, C.P. 54240,
JILOTEPEC, EDO. DE MÉX.
TEL: 761 782 9101 EXT. 5728 Y 5102
- GUANAJUATO** **ÍA. FERRETERA NUEVO MUNDO S.A. DE C.V.**
AV. MÉXICO - JAPÓN #225, CD. INDUSTRIAL, C.P. 38010,
CELAYA, GTO. TEL.: 461 617 7578 / 79 / 80 / 88
- GUERRERO** **CENTRO DE SERVICIO ECLIPSE**
CALLE PRINCIPAL MZ1 LT. 1, COL. SANTA FE, C.P. 39010,
CHILPANCIÑO, GRO. TEL.: 747 478 5793
- HIDALGO** **FERREPRECIOS S.A. DE C.V.**
LIBERTAD ORIENTE #304 LOCAL 30, INTERIOR DE PASAJE
ROBLEDO, COL. CENTRO, C.P. 43600, TULANCINGO,
HGO. TEL.: 775 753 6615 / 775 753 6616
- JALISCO** **SUCURSAL GUADALAJARA**
AV. ADOLFO B. HORN # 6800, COL: SANTA CRUZ DEL
VALLE, C.P.: 45655, TLAJOMULCO DE ZUÑIGA, JAL.
TEL.: 33 3606 5285 AL 90
- MICHOACÁN** **FIX FERRETERÍAS**
AV. PASEO DE LA REPÚBLICA #3140-A, COL.
EX-HACIENDA DE LA HUERTA, C.P. 58050, MORELIA,
MICH. TEL.: 443 334 6858
- MORELOS** **FIX FERRETERÍAS**
CAPITÁN ANZURES #95, ESQ. JOSÉ PERDIZ, COL.
CENTRO, C.P. 62740, CUAUTLA, MOR.
TEL.: 735 352 8931
- NAYARIT** **HERRAMIENTAS DE TEPEC**
MAZATLAN #117, COL. CENTRO, C.P. 63000, TEPEC, NAY.
TEL.: 311 258 0540
- NEUVO LEÓN** **SUCURSAL MONTERREY**
AV. STIVA #275, PARQUE INDUSTRIAL STIVA BARRAGAN,
SAN NICOLAS DE LOS GARZA, C.P. 66420, MONTERREY,
N.L. TEL: 81 8352 8791 / 81 8352 8790
- OAXACA** **FIX FERRETERÍAS**
AV. 20 DE NOVIEMBRE #910, COL. CENTRO, C.P. 68300,
TUXTEPEC, OAX. TEL.: 287 106 3092
- PUEBLA** **SUCURSAL PUEBLA**
AV. PERIFÉRICO #2-A, SAN LORENZO ALMECATLA,
C.P. 72710, CUAUTLACINGO, PUE.
TEL.: 222 282 8282 / 84 / 85 / 86
- QUERÉTARO** **ARU HERRAMIENTAS S.A DE C.V.**
AV. PUERTO DE VERACRUZ #110, COL. RANCHO DE
ENMEDIO, C.P. 76842, SAN JUAN DEL RÍO, QRO.
TEL.: 427 268 4544
- QUINTANA ROO** **FIX FERRETERÍAS**
CARRETERA FEDERAL MZ. 46 LT. 3 LOCAL 2, COL. EJIDAL,
C.P. 77710 PLAYA DEL CARMEN, Q.R.
TEL.: 984 267 3140
- SAN LUIS POTOSÍ** **FIX FERRETERÍAS**
AV. UNIVERSIDAD #1850, COL. EL PASEO, C.P. 78320,
SAN LUIS POTOSÍ, S.L.P. TEL.: 444 822 4341
- SINALOA** **SUCURSAL CULIACÁN**
AV. JESÚS KUMATE SUR #4301, COL. HACIENDA DE LA
MORA, C.P. 80143, CULIACÁN, SIN.
TEL.: 667 173 9139 / 173 8400
- SONORA** **FIX FERRETERÍAS**
CALLE 5 DE FEBRERO #517, SUR LT. 25 MZ. 10, COL.
CENTRO, C.P. 85000, CD. OBREGÓN, SON.
TEL.: 644 413 2392
- TABASCO** **SUCURSAL VILLAHERMOSA**
CALLE HELIO LOTES 1, 2 Y 3 MZ. #1, COL. INDUSTRIAL,
2A ETAPA, C.P. 86010, VILLAHERMOSA, TAB.
TEL.: 993 353 7244
- TAMAULIPAS** **VM ORINGS Y REFACCIONES**
CALLE ROSITA #527 ENTRE 20 DE NOVIEMBRE Y GRAL.
RODRÍGUEZ, FRACC. REYNOSA, C.P. 88780, REYNOSA,
TAMS. TEL.: 899 926 7552
- TLAXCALA** **SERVICIOS Y HERRAMIENTAS INDUSTRIALES**
PABLO SIDAR #132, COL. BARRIO DE SAN BARTOLOMÉ,
C.P. 90970, SAN PABLO DEL MONTE, TLAX.
TEL.: 222 271 7502
- VERACRUZ** **LA CASA DISTRIBUIDORA TRUPER**
BLVD. PRIMAVERA. ESQ. HORTENSIA S/N, COL.
PRIMAVERA C.P. 93308, POZA RICA, VER.
TEL.: 782 823 8100 / 826 8484
- YUCATÁN** **SUCURSAL MÉRIDA**
CALLE 33 #600 Y 602, LOCALIDAD ITZINCAB Y Mulsay,
MPIO. UMAN, C.P. 97390, MÉRIDA, YUC.
TEL.: 999 912 2451

Code	Model	Brand
28029	MOTB-2P	PRETUL®

This product is guaranteed for 1 year. To make the warranty valid or purchase parts and components you must present the product in Corregidora 22, Col. Centro, Alc. Cuauhtémoc, CDMX C.P. 06060 or at the establishment where you purchased it, or at any Truper® Service Center listed in the annex to the warranty policy and/or in www.truper.com . Transportation costs resulting from compliance of this warranty will be covered by  **TRUPER®**

For questions or comments, call **800-690-6990**. Made in China. Imported by Truper S.A. de C.V. Parque Industrial 1, Jilotepec, Edo. de Méx. C.P. 54240

Stamp of the business. Delivery date:



1
YEAR

Instructivo de **Motobomba**



Uso agrícola

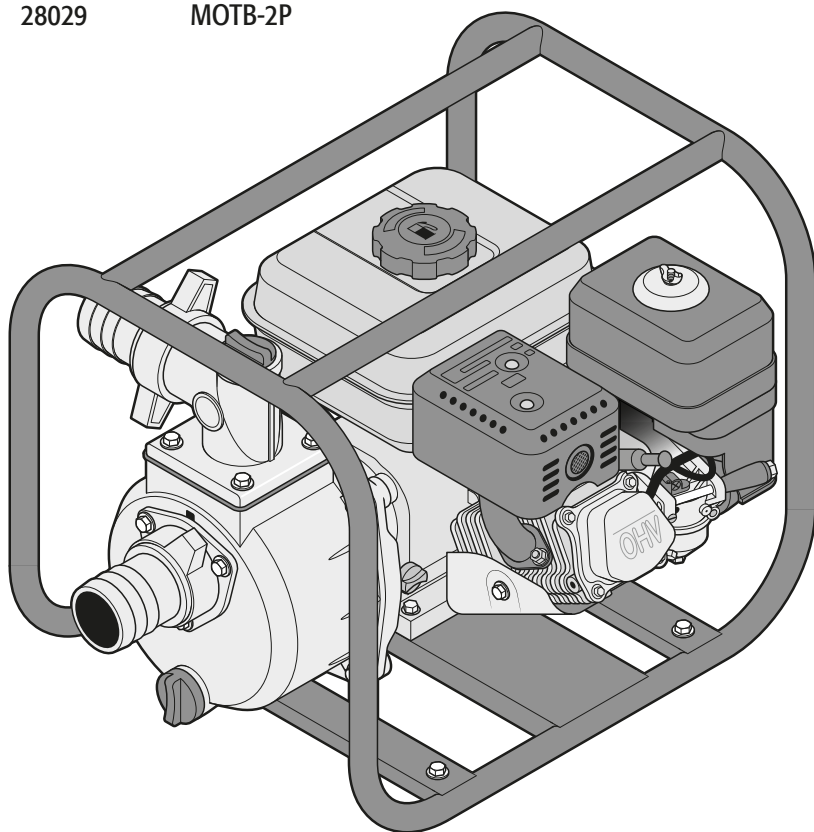
Este instructivo es para:

Código

Modelo

28029

MOTB-2P





 **ATENCIÓN**



Lea este instructivo por completo
antes de usar la herramienta.



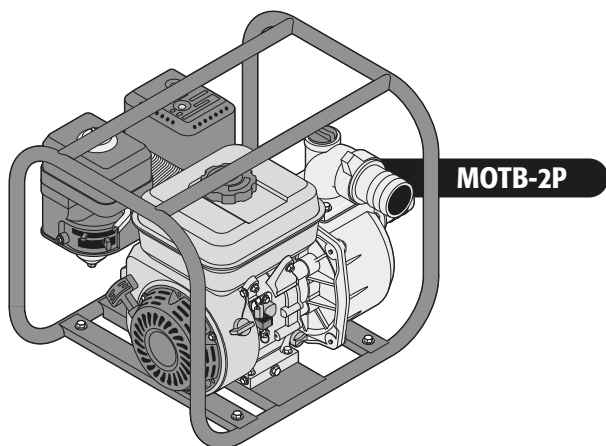
.....	3
.....	3
 Advertencias Generales de Seguridad para uso de herramientas motorizadas.....	4
 Advertencias de Seguridad para uso de bombas de agua.....	5
Partes.....	6
Ensamble.....	7
Instalación.....	8
Combustible y aceite.....	9
Puesta en marcha.....	10
Mantenimiento.....	11
Solución de problemas.....	13
Notas.....	14
Centros de Servicio Autorizados.....	15
Póliza de Garantía.....	16

ATENCIÓN

Para poder sacar el máximo provecho de la herramienta, alargar su vida útil, hacer válida la garantía en caso de ser necesario y evitar riesgos o lesiones graves, es fundamental leer este instructivo por completo antes de usar la herramienta.

Guarde este instructivo para futuras referencias.

Los gráficos de este instructivo son para referencia, pueden variar del aspecto real de la herramienta.



MOTB-2P

Código •	28029
Descripción •	Motobomba
Cilindrada del motor •	212 cm ³ (cc)
Potencia nominal del motor •	6.5 Hp (4 847 W)
Tipo de motor •	OHV a 4 tiempos
Velocidad sin carga •	3 650 r/min - 3 700 r/min
Combustible •	Gasolina
Capacidad del tanque de gasolina •	3.2 L
Rendimiento de combustible al 100 % de carga •	1.66 horas
Tipo de aceite •	SAE 10W/30
Diámetro de entrada y salida •	2" (50 mm)
Máxima profundidad de succión •	5 m
Altura máxima •	25 m
Flujo máximo •	500 L/min
Nivel sonoro •	Menor a 81 dB a 4 m
Consumo de energía térmica •	1.39 L/h
Peso •	20 kg

Requerimientos de combustible

- El equipo tiene un motor de 4 tiempos enfriado por aire que utiliza gasolina pura sin plomo.
- Por ningún motivo mezcle aceite con el combustible.

⚠ ADVERTENCIA • Por ningún motivo utilice combustibles mezclados con alcohol etílico (gasohol), etanol o metano, ya que pueden atraer humedad, la cual provoca la separación y la formación de ácidos durante el almacenaje. La acidez puede dañar el sistema de combustible del motor cuando se encuentre almacenado.

• Para no tener problemas con el motor se debe vaciar el sistema de combustible antes de almacenar el equipo por periodos de 30 días o más tiempo. Vacíe el tanque de gasolina, arranque el motor y déjelo funcionar hasta que

las líneas de combustible y el carburador se vacíen. La siguiente temporada, use gasolina fresca.

- Nunca use dentro del tanque de gasolina, productos para limpiar motores o carburadores ya que puede ocasionar daño permanente.

No utilice el equipo en espacios encerrados.

⚠ PELIGRO Para evitar respirar la acumulación de monóxido de carbono, gas inodoro tóxico y potencialmente mortal.



Nunca fume cerca del combustible.

⚠ PELIGRO No fume cerca de la zona en donde se abastezca de combustible, ni al operar el equipo.



Mantenga su área de trabajo limpia, ordenada y bien iluminada.

⚠ ATENCIÓN Áreas desordenadas y oscuras pueden provocar accidentes.



Nunca utilice el equipo en ambientes explosivos, o en presencia de líquidos inflamables.

⚠ PELIGRO Aleje el equipo al menos 9 metros (30 pies) del lugar de recarga de combustible antes de arrancar el motor.



Mantenga a los niños y a otras personas a una distancia segura mientras utiliza el equipo.

⚠ ADVERTENCIA Las distracciones pueden hacerle perder el control y provocar accidentes.



Evite hacer contacto con líneas y circuitos eléctricos.

⚠ PELIGRO Ubique y evite todas las líneas y circuitos eléctricos, especialmente el cableado oculto. Así como cualquier objeto conectado a tierra.



Esté siempre alerta, sea prudente y utilice el sentido común.

⚠ ATENCIÓN No deje que la familiaridad con el uso del equipo lo distraiga mientras lo utiliza. Esto puede provocar accidentes.

No utilice el equipo si está cansado, o bajo la influencia de drogas, alcohol o medicamentos.

⚠ PELIGRO Un momento de distracción mientras utiliza el equipo puede provocar lesiones personales graves.

Utilice el equipo con sus guardas y protectores en su lugar y en buen estado.

⚠ ADVERTENCIA De no hacerlo se expone a lesiones personales graves.

Nunca fuerce el equipo.

⚠ ATENCIÓN Trabajar dentro del rango para el que fue diseñado asegura un mejor trabajo y es más seguro.



Guarde el equipo en un lugar seguro fuera del alcance de los niños.

⚠ ADVERTENCIA Los equipos motorizados son peligrosos en manos inexpertas.



Utilice la indumentaria adecuada.

⚠ ADVERTENCIA La ropa suelta, joyas o cabello largo pueden ser atrapados por las piezas móviles.



Mantenga las manos alejadas de las partes giratorias y/o móviles.

⚠ ADVERTENCIA De no hacerlo se expone a lesiones personales graves.



No utilice el equipo en espacios encerrados.

⚠ PELIGRO Para evitar respirar la acumulación de monóxido de carbono, gas inodoro tóxico y potencialmente mortal.



Utilice equipo adecuado de protección personal.

⚠ ATENCIÓN Usar protección para los ojos, mascarillas antipolvo, zapatos de seguridad antideslizantes, casco, protección para los oídos y guantes de seguridad, reduce considerablemente el riesgo de lesiones.



Apague el equipo antes de hacer ajustes, cambiar sus accesorios o guardarlo.

⚠ ADVERTENCIA Asegúrese de que el interruptor del equipo esté en posición de apagado.

Nunca utilice el equipo si el interruptor no funciona o no está debidamente ensamblado.

⚠ ADVERTENCIA De hacerlo se expone a lesiones personales graves, repárelo inmediatamente en un Centro de Servicio Autorizado **TRUPER**.

No sobre extienda su campo de acción.

⚠ ATENCIÓN Un buen apoyo y equilibrio permiten un mejor control del equipo en situaciones inesperadas.

Evite encendidos accidentales.

⚠ ADVERTENCIA Asegúrese de que el motor del equipo esté apagado antes de dejarlo o darle mantenimiento.



Retire cualquier llave de ajuste antes de encender el equipo.

⚠ PELIGRO Herramientas adicionales o llaves colocadas en piezas giratorias del equipo puede provocar lesiones personales graves.

Déle mantenimiento al equipo y cerciórese que se encuentra en condiciones óptimas antes de utilizarlo.

⚠ ATENCIÓN Revise cuidadosamente sus partes móviles, su alineación y montaje. Hágalo periódicamente. Busque cualquier elemento dañado o pieza que no funcione adecuadamente para su inmediata reparación en un Centro de Servicio Autorizado **TRUPER**.



Accesorios.

⚠ ATENCIÓN Utilice sólo los accesorios o refacciones indicados en este instructivo o certificados por **TRUPER**.

Nunca deje el equipo en marcha sin supervisión.

⚠ PELIGRO Apáguelo después de operarlo y antes de colocarlo en un lugar seguro para evitar accidentes graves.

Nunca fume cerca del combustible.

⚠ PELIGRO No fume cerca de la zona en donde se abastezca de combustible, ni al operar el equipo.



No toque las partes con altas temperaturas.

La superficie del motor y del escape alcanzan altas temperaturas durante la operación del equipo.

Servicio y reparación

Acuda siempre a un Centro de Servicio Autorizado **TRUPER** para utilizar piezas de repuesto idénticas y así mantener la seguridad de la herramienta.

Usos adecuados

- No utilice la motobomba para bombear líquidos inflamables o corrosivos como gasolina, aceites y ácidos, tampoco para bombear agua de mar, combustibles y/o sustancias similares.
- Coloque la motobomba en una zona firme y plana, por lo menos a 1 m de cualquier pared y lejos de cosas inflamables.
- Asegúrese de saber cómo detener el motor y cómo operar la motobomba. No permita que la motobomba se utilice bajo condiciones de riesgo o violando las reglas de seguridad.
- El uso inadecuado o las modificaciones a la motobomba, el uso de componentes que no han sido probados y aprobados por el fabricante, pueden tener como resultado daños imprevistos al equipo y al operador, y libera al fabricante de su responsabilidad legal.

⚠ ADVERTENCIA • No instale la motobomba en áreas donde exista el peligro de explosión o cerca de líquidos combustibles o gases.

⚠ ADVERTENCIA • No dirija el chorro de agua contra la motobomba u otros componentes eléctricos. Existe peligro de muerte debido a una descarga eléctrica.

• Los símbolos adheridos a la motobomba no deben retirarse ni cubrirse. Toda información sobre el equipo que ya no sea legible, debe ser reemplazada de inmediato.

• Lea y obedezca las instrucciones de operación antes de instalar y poner en marcha la motobomba. Cualquier desperfecto ocasionado por la omisión de las indicaciones de éste instructivo puede dañar la motobomba e invalidar la garantía.


• El tiempo que toma el agua en empezar a fluir por la motobomba puede variar dependiendo de la profundidad de succión. No opere la motobomba en vacío (sin agua) por más de 12 minutos. Esto podría dañar el sello mecánico del sistema.

• Antes de iniciar la operación de la motobomba verifique que la manguera de succión esté bien conectada. Una fuga en esta conexión impedirá la correcta operación.

• La motobomba cuenta con un bulbo sensor de nivel de aceite que evita que el motor se encienda si este nivel no es el adecuado.

• Purgue la motobomba antes de cada operación una vez que ésta esté conectada y colocada en el lugar de uso.

Manejo de combustible

• Nunca fume cerca del combustible, ni de la zona en donde se abastezca de la gasolina, ni al operar la motobomba. 

• Para reducir el riesgo de incendio o quemaduras  maneje el combustible con cuidado, es muy inflamable.

• No permita que la gasolina o el aceite tengan contacto con la piel.

• Protéjase los ojos para evitar salpicaduras de la gasolina y el aceite. En caso de contacto accidental lávelos inmediatamente con agua limpia. Si persiste la irritación acuda a un médico.

• Almacene el combustible en un recipiente diseñado para tal fin.

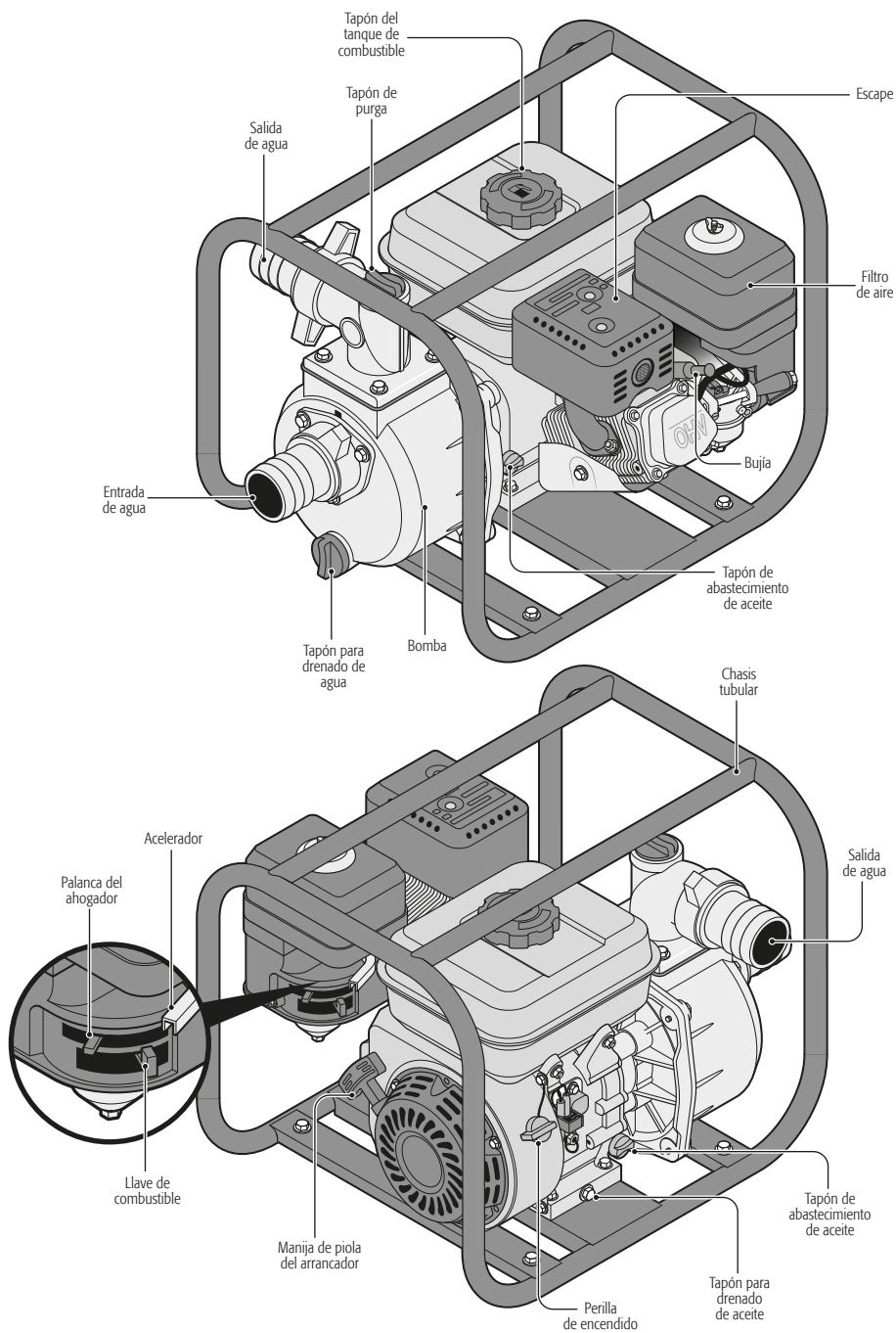
⚠ ADVERTENCIA • Antes de reabastecer el equipo de combustible, apague el motor, colóquelo en suelo despejado y espere a que el motor se enfríe.

⚠ ATENCIÓN • Limpie todo el combustible que pueda haber caído en el equipo antes de operarlo.

⚠ ATENCIÓN • Revise si hay fugas de combustible, de ser así corrijalas antes de usar el equipo, para evitar incendios o lesiones por quemadura.

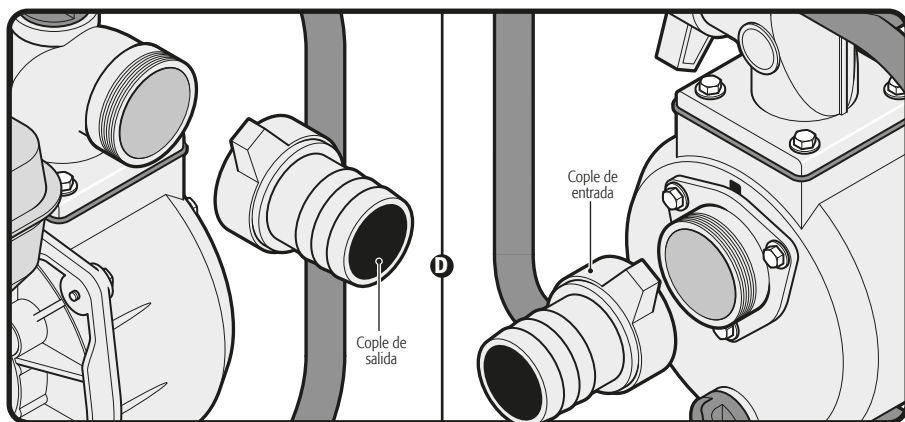
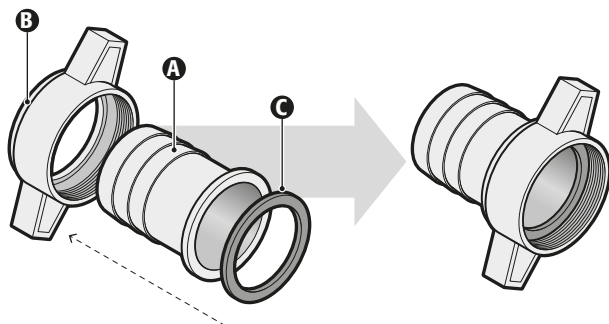
• Bajo ninguna circunstancia queme el combustible derramado para eliminarlo.

• Por ningún motivo utilice cualquier otro tipo de combustible que el especificado en el instructivo.



Montaje de coples

- Inserte el cople (A) en la tuerca (B) como se muestra en el gráfico.
- Coloque el sello (C) detrás del cople.
- Enrosque la tuerca en la entrada y/o salida de la motobomba (D).



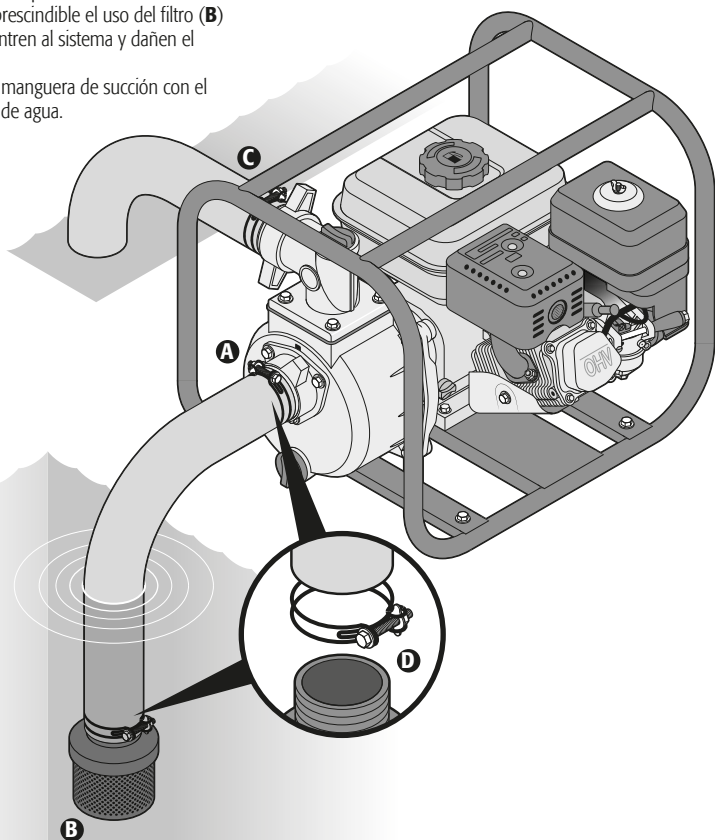
- Coloque el equipo en una superficie seca, firme, plana y nivelada.
- Conecte un extremo de la manguera de succión (no incluida) a la entrada de agua de la motobomba (A) y el otro extremo de la manguera al filtro (B).
- Conecte la manguera de desfogue (no incluida) a la salida de agua de la motobomba (C).

⚠ ATENCIÓN • Todas las conexiones deben ser aseguradas con abrazaderas adecuadas (D).

⚠ ATENCIÓN • Las mangueras deberán de ser continuas sin torceduras en su estructura. El largo de la manguera de succión no deberá exceder el largo requerido para que la bomba opere adecuadamente.

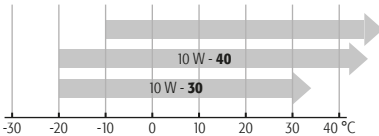
⚠ ATENCIÓN • Es imprescindible el uso del filtro (B) para evitar que partículas entren al sistema y dañen el motor.

- Sumerja el extremo de la manguera de succión con el filtro colocado en la fuente de agua.



Abastecimiento de aceite (A)

- Coloque el equipo en una superficie plana y nivelada.
- Gire y retire el tapón de abastecimiento de aceite.
- Utilice aceite para motor de 4 tiempos. Se recomienda aceite SAE 10 W/30 para uso general a cualquier temperatura. Como se indica en la siguiente tabla, otras viscosidades podrán utilizarse cuando la temperatura promedio en su localidad se encuentre dentro del rango indicado.



- Coloque de nuevo el tapón y retírelo para revisar el nivel de aceite en la varilla del tapón.

- Una vez que el tanque tenga el nivel correcto de aceite indicado en la varilla, apriete el tapón para evitar fugas.

⚠ ATENCIÓN • No exceda el nivel máximo de aceite, ya que puede salir mucho humo del silenciador cuando arranque el motor.

⚠ ATENCIÓN • Revise el nivel de aceite antes de cada uso. De ser necesario agregue aceite hasta que el nivel se encuentre entre los límites de la varilla del tapón.

⚠ ATENCIÓN • Cambie el aceite después de 20 horas de operación o cada temporada. En condiciones de mucho polvo o suciedad puede ser necesario hacer el cambio de aceite más a menudo.

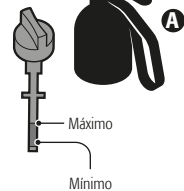
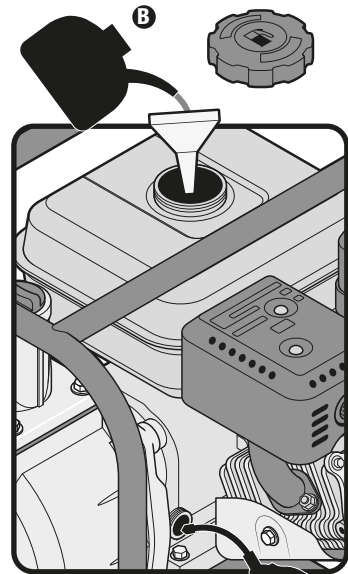
Operación a gran altitud

- A una gran altitud, la mezcla aire-combustible del carburador estándar será rica en combustible. El desempeño disminuirá y el consumo de combustible aumentará.
- El desempeño durante una operación a gran altitud podrá mejorar si se regula el carburador ajustando el perno principal. La motobomba está ajustada para operar a altitudes superiores a 1 820 metros (6 000 pies) sobre el nivel del mar. Si nota que la motobomba no opera de manera eficiente, acuda a un Centro de Servicio Autorizado **TRUPER** para que se realicen las modificaciones correspondientes al carburador.
- Aunque el carburador cuente con una inyección adecuada, la potencia del motor disminuirá aproximadamente 3,5% por cada incremento de 305 m (1 000 pies) después de 2 100 m (6 890 pies) sobre el nivel del mar. La disminución de potencia, será mayor si no se realizan modificaciones al carburador.

⚠ ADVERTENCIA • Si la motobomba es operada a una altitud inadecuada al ajuste del carburador, se podría obtener un bajo rendimiento, sobrecalentamiento y daños graves al motor provocados por la mezcla excesiva de aire en el combustible.

Abastecimiento de combustible (B)

- Coloque el equipo en una superficie plana y nivelada.
- Limpie y seque el área alrededor de la tapa del combustible.
- Retire la tapa del combustible.
- Con ayuda de un embudo llene el tanque de combustible lentamente hasta la parte baja del cuello del tanque. No llene demasiado para permitir la expansión del combustible y evitar derrames.
- Limpie cualquier derrame de combustible.
- Tape el tanque girando la tapa hasta escuchar un clic.
- Limpie todo derrame de combustible antes de encender.

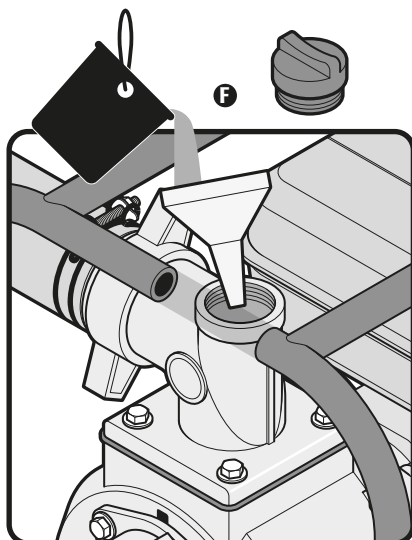


Purga

• El sistema debe de ser purgado de cualquier burbuja de aire llenando la bomba con agua limpia antes de encenderla.

• Retire el tapón de purga (F). Llene de agua hasta que alcance el nivel del orificio y atornille el tapón. Sólo entonces puede encender la motobomba.

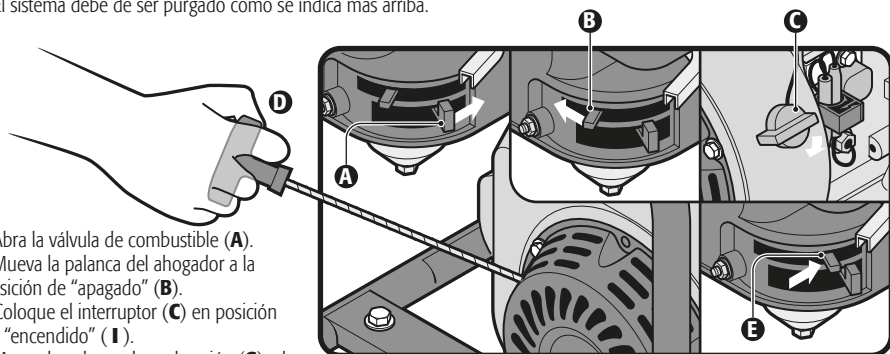
⚠ ADVERTENCIA Nunca ponga en marcha la motobomba cuando la bomba esté vacía. Si esto ocurre accidentalmente apague la bomba de inmediato, espere que se enfríe y luego llénela usando agua limpia.



Encendido

⚠ ATENCIÓN Antes de encender la motobomba es indispensable cumplir con los siguientes puntos, de lo contrario podría dañarse y la garantía se invalidaría:

- Todas las mangueras deben de estar conectadas, completamente desenredadas y sin torceduras.
- El suministro de agua debe de estar conectado y totalmente abierto.
- Los niveles de gasolina y aceite deben de ser los correctos.
- El sistema debe de ser purgado como se indica más arriba.



- Abra la válvula de combustible (A).
- Mueva la palanca del ahogador a la posición de "apagado" (B).
- Coloque el interruptor (C) en posición de "encendido" (I).
- Mueva la palanca de aceleración (G) a la posición de velocidad alta (↗).
- Jale suavemente la manija del arrancador (D) hasta sentir resistencia en la línea. Después jale con fuerza para arrancar el motor. **⚠ ATENCIÓN** Regrese la manija a su lugar con cuidado. No la suelte, de lo contrario regresará bruscamente y podría dañarse.
- Permita que el motor funcione 5 segundos y después mueva la palanca del ahogador a la posición de "Encendido" (E).

⚠ ATENCIÓN • Ponga atención en todo momento al nivel de la fuente de agua, ya que durante la operación de bombeo el nivel podría disminuir hasta que el extremo de la manguera de succión quede fuera del agua. De ser así apague la motobomba inmediatamente y corrija la profundidad de la manguera de succión. Evite que la motobomba funcione sin agua, de lo contrario podría dañarse.



Apagado

- Mueva la palanca de aceleración (G) a la posición de velocidad baja (↘).
- Apague el interruptor (C).
- Cierre la válvula de combustible (A) moviendo la palanca a la posición cerrada (OFF).
- Mueva la palanca del ahogador (D) a la posición de apagado (OFF).

⚠ ATENCIÓN • Para detener el motor en momentos de emergencia, directamente coloque el interruptor del motor en la posición de "apagado".

⚠ ATENCIÓN • El mantenimiento regular y cuidadoso es esencial para mantener los niveles de seguridad y el desempeño óptimos del equipo.

- Antes de limpiar, reparar, inspeccionar o guardar el equipo, apague el motor y espere a que el motor se enfríe por completo.
- Mantenga tuercas, pernos y tornillos ajustados para asegurarse de que el equipo se encuentre en una condición de trabajo segura.

- No altere los dispositivos de seguridad. Verifique su correcto funcionamiento regularmente.
- Cualquier parte gastada o dañada debe de ser reemplazada antes de utilizar el equipo. No intente reparar las piezas, pues pueden dañar el equipo y poner en riesgo su seguridad.
- Cualquier reparación o mantenimiento distintos a los descritos en esta sección, como por ejemplo el ajuste del carburador, debe ser realizado únicamente en un Centro de Servicio Autorizado **TRUPER®**.

Mantenimiento periódico

	Antes de cada uso	Cada 20 h o cada mes	Cada 50 h o 3 meses	Cada 100 h o 6 meses	Cada 300 h o cada año
Inspección general	realizar				
Aceite del motor	revisar	cambiar		cambiar	
Filtro de aire	revisar		limpiar (1)		
Contenedor de sedimentos				limpiar	
Bujía				limpiar / reajustar	
Despeje de válvula					revisar / reajustar (2)
Tanque de combustible y colador					limpiar (2)
Línea de combustible		revisar y cambiar de ser necesario cada 3 años (2)			
Tapa del tanque de combustible				limpiar	
Filtro de combustible					limpiar

1. En caso de operar el equipo en ambientes con mucho polvo realice el mantenimiento con más frecuencia.
2. Acuda a un Centro de Servicio Autorizado **TRUPER®** para este servicio.

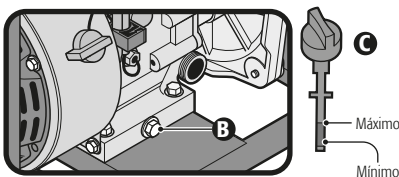
Filtro de aire

- Revise el filtro de aire para asegurarse de que esté en buenas condiciones. Recuerde que un filtro sucio puede causar dificultades de arranque, pérdida de rendimiento y acortar la vida útil del motor.
- Retire la tuerca de mariposa y después quite la cubierta del filtro y quite el elemento del filtro.
- Separe el elemento filtro de esponja del elemento filtro papel.
- Lave el filtro de esponja con una solución de detergente y agua caliente. Deje secar por completo el filtro.
- Remoje el filtro de esponja en aceite de motor limpio SAE-20. Exprima hasta eliminar el exceso de aceite. El motor podría desprender humo durante el arranque si se deja mucho aceite en el filtro.
- Instale el filtro en su contenedor y regrese la cubierta a su lugar.

⚠ ATENCIÓN Nunca utilice gasolina para limpiar el filtro de aire, podría ocasionar una explosión o incendio. Nunca encienda el equipo sin el filtro de aire. El motor se desgastará más rápido.

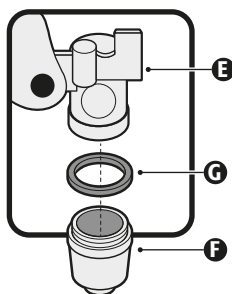
Cambio de aceite

- El tapón de drenaje de aceite se localiza debajo del motor (**B**).
- Coloque un contenedor adecuado debajo del motor para recibir el aceite, retire el tapón de drenaje y después el tapón del tanque (**C**). Una vez que se vacíe el aceite, vuelva a colocar el tapón de drenaje.
- Limpie cualquier derrame o salpicadura.
- Rellene el tanque con aceite SAE-10W/30.
- Revise el nivel de aceite colocando el tapón del tanque de aceite sin atornillarlo. El nivel de aceite debe estar entre las marcas *mínimo* y *máximo* de la varilla. Asegúrese de que el nivel no exceda la marca de *máximo*. Apriete el tapón del tanque cuando el nivel sea el adecuado.
- Arranque el motor y permita que corra brevemente. Detenga el motor, espere un minuto y revise el nivel de aceite de nuevo. Rellene si es necesario.
- Por ningún motivo tire el aceite al drenaje. Lleve el aceite usado y el filtro de aceite a una unidad de reciclaje.



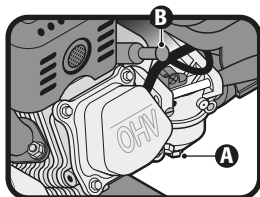
Filtro de combustible

- El filtro del combustible impide que agua o polvo presentes en el tanque de combustible, entren al carburador. Si el motor no se ha encendido después de mucho tiempo, el contenedor de sedimentos deberá limpiarse:
- Con el motor apagado y a temperatura ambiente cierre la llave de combustible (E).
- Retire el contenedor de sedimento (F), limpie su interior.
- Permita que el contenedor se seque por completo.
- Verifique que el empaque (G) se encuentre en buenas condiciones y vuelva a colocar el contenedor de sedimentos en su lugar.
- El filtro de combustible del tanque deberá lavarse de acuerdo al programa de mantenimiento indicado en la página 11.



Drenado de combustible

- Coloque debajo del tanque un contenedor adecuado para recibir gasolina y utilice un embudo para evitar que se salpique el combustible.
- Con la llave del combustible cerrada retire y limpie el filtro de combustible como se indica más arriba.
- Antes de colocar el filtro abra la llave de combustible para drenar todo el contenido del tanque de combustible. Una vez drenado coloque el filtro y el contenedor de sedimentos.
- Coloque debajo del carburador un contenedor adecuado para recibir gasolina y utilice un embudo para evitar que se salpique el combustible.
- Retire el perno de drenaje (A).
- Una vez que se ha drenado el combustible en el contenedor, coloque de nuevo el perno de drenaje y su arandela, apretándolos firmemente.
- Limpie todo derrame de combustible.





Bujía

- Antes de extraer la bujía (B), limpie el área alrededor de la base de la bujía para que no ingresen polvo ni desechos al motor. Después retire la bujía con ayuda de una llave.
- Limpie los depósitos de carbón de los electrodos de la bujía con un limpiador para bujías o un cepillo de alambre.
- Reemplace la bujía por otra igual si está dañada, desgastada o su reutilización es dudosa.
- Mida la abertura que existe entre los dos electrodos con un calibrador de bujías. La distancia entre el electrodo central y el electrodo lateral deberá medir entre 0,7 mm y 0,8 mm
- Revise que la arandela de la bujía está en buenas condiciones, inserte la bujía manualmente para prevenir una posición desajustada.
- Después que se haya colocado la bujía, ajústela con la llave para bujías para comprimir la arandela.
- ⚠ **ATENCIÓN** En caso de instalar una bujía nueva, apriete hasta media vuelta después que la bujía esté en su lugar y se pueda comprimir la arandela. Si va a instalar una bujía usada, apriete hasta 1/8 - 1/4 de vuelta después que la bujía esté en su lugar y se pueda comprimir la arandela.
- ⚠ **ADVERTENCIA** Las bujías mal instaladas o fuera de rango se pueden sobrecalentar dañando el motor.

Almacenaje y transporte

- Cuando muera de lugar el equipo, apague el interruptor del motor y cierre la llave de combustible, mantenga nivelado el equipo para prevenir que se derrame combustible.
- Cuando almacene el equipo por periodos largos:
- Drene por completo todo el combustible del equipo como se indica en el apartado anterior. Después arranque el motor hasta que se consuma todo el combustible del interior del motor.
- Reemplace el aceite como se indica en la página 11.
- Retire la bujía y vierta una cucharada de aceite SAE-10W/30 en el cilindro. Tire de la manija del arrancador para que el aceite se distribuya en el sistema. Después coloque la bujía.
- Jale suavemente la manija del arrancador hasta que sienta resistencia. Lo que indica que el cilindro está llegando a su fase de compresión y las válvulas de escape y absorción están cerradas. Guardar el equipo en éstas condiciones evita corrosiones internas.
- Limpie el equipo con un trapo húmedo y cúbralo para evitar la acumulación y entrada de polvo.
- Almacene el equipo en un lugar limpio, seco y fuera del alcance de los niños.

Problema	Causa	Solución
El motor no arranca.	<ul style="list-style-type: none"> • El interruptor está apagado. • No hay suficiente combustible. • El nivel de aceite es muy bajo o no tiene aceite. • La gasolina no llega al carburador. • No hay chispa en la bujía. 	<ul style="list-style-type: none"> • Encienda el interruptor. • Llene el tanque de combustible. • Revise el nivel de aceite del motor como se indica en la página 9. • Con el tanque de combustible lleno, verifique el flujo de combustible en el carburador: <ol style="list-style-type: none"> 1. Coloque debajo del carburador un contenedor adecuado para recibir gasolina y utilice un embudo para evitar que se salpique el combustible. 2. Retire el perno de drenaje, el combustible debe fluir libremente. De lo contrario acuda a un Centro de Servicio Autorizado . • Verifique la chispa de la bujía: <ol style="list-style-type: none"> 1. Desconecte el cable de la bujía, limpie el polvo alrededor de la bujía y retírela. 2. Conecte el cable a la bujía. 3. Encienda el interruptor del motor. 4. Ponga en contacto el electrodo de la bujía con cualquier parte metálica del motor libre de combustible. ⚠ ATENCIÓN Es importante realizar la prueba en áreas ventiladas y sin combustible derramado, de lo contrario podría ocasionar una explosión. 5. Tire de la manija del arrancador para generar una chispa entre el electrodo central de la bujía y la parte metálica. De no haber chispa la bujía debe reemplazarse. 6. En caso de que no se produzca chispa con la bujía nueva acuda a un Centro de Servicio Autorizado .
El motor arranca pero se detiene inesperadamente.	<ul style="list-style-type: none"> • El nivel de aceite es muy bajo. 	<ul style="list-style-type: none"> • Revise el nivel de aceite del motor como se indica en la página 9. Encienda de nuevo el motor.
La motobomba no bombea agua.	<ul style="list-style-type: none"> • Manguera de succión fuera de la fuente de agua. • El filtro se encuentra bloqueado. • Manguera torcida. • La distancia de succión es muy alta. 	<ul style="list-style-type: none"> • Sumerja el extremo de la manguera de succión. • Retire los obstáculos del filtro. • Enderece la manguera. • No supere los 5 m de altura de succión.


Si los problemas persisten a pesar de realizar las acciones correctivas recomendadas, contacte a un Centro de Servicio Autorizado .

A series of horizontal dotted lines spanning the width of the page, intended for handwritten notes.

En caso de tener algún problema para contactar un Centro de Servicio consulte nuestra página www.truper.com donde obtendrá un listado actualizado, o llame al teléfono: (800) 690-6990 ó (800) 018-7873 donde le informarán cuál es el Centro de Servicio Autorizado  **TRUPER** más cercano.

- AGUASCALIENTES** **DE TODO PARA LA CONSTRUCCIÓN**
GRAL. BARRAGÁN #1201, COL. GREMIAL, C.P. 20030, AGUASCALIENTES, AGS. TEL.: 449 994 0537
- BAJA CALIFORNIA SUR** **SUCURSAL TIJUANA**
AV. LA ENCANADA, LOTE #5, PARQUE INDUSTRIAL EL FLORIDO II, C.P. 22244, TIJUANA, B.C. TEL.: 664 969 5100
- CAMPECHE** **FIX FERRETERÍAS**
FELIPE ÁNGELES ESQ. RUIZ CORTÍNEZ S/N, COL. PUEBLO NUEVO, C.P. 23670, CD. CONSTITUCIÓN, B.C.S. TEL.: 613 132 1115
- CHIAPAS** **TORNILLERÍA Y FERRETERÍA AAA**
AV. ALVARO OBREGÓN #324, COL. ESPERANZA C.P. 20480 CAMPECHE, CAMP. TEL.: 981 815 2808
- CHIHUAHUA** **FIX FERRETERÍAS**
AV. CENTRAL SUR #27, COL. CENTRO, C.P. 50700, TAPACHULA, CHIS. TEL.: 962 118 4083
- CHIHUAHUA** **SUCURSAL CHIHUAHUA**
AV. SILVESTRE TERRAZAS #128-11, PARQUE INDUSTRIAL BAHAF, CARRETERA MÉXICO CUAUHTÉMOC, C.P. 31415, CHIHUAHUA, CHIH. TEL.: 614 434 0052
- CIUDAD DE MÉXICO** **FIX FERRETERÍAS**
EL MONSTRUO DE CORREGIDORA, CORREGIDORA # 22, COL. CENTRO, C.P. 06060, CUAUHTÉMOC, CDMX. TEL.: 55 5522 5031 / 5522 4861
- COAHUILA** **SUCURSAL TORREÓN**
CALLE METAL MECÁNICA #280, PARQUE INDUSTRIAL ORIENTE, C.P. 27278, TORREÓN, COAH. TEL.: 871 209 68 23
- COLIMA** **BOMBAS Y MOTORES BYMTESA DE MANZANILLO**
BLVD. MIGUEL DE LA MADRID #190, COL. 16 DE SEPTIEMBRE, C.P. 28239, MANZANILLO, COL. TEL.: 314 352 1986 / 352 8013
- DURANGO** **TORNILLOS ÁGUILA, S.A. DE C.V.**
MAZURIO #200, COL. LUIS ECHEVERRÍA, DURANGO, DGO. TEL.: 618 817 1946 / 618 818 2844
- ESTADO DE MÉXICO** **SUCURSAL CENTRO JILOTEPEC**
AV. PARQUE INDUSTRIAL #1-A, JILOTEPEC, C.P. 54240, JILOTEPEC, EDO. DE MÉX. TEL.: 761 782 9101 EXT. 5728 Y 5102
- GUANAJUATO** **CIÁ. FERRETERA NUEVO MUNDO S.A. DE C.V.**
AV. MÉXICO - JAPÓN #225, CD. INDUSTRIAL, C.P. 38010, CELAYA, GTO. TEL.: 461 617 7578 / 79 / 80 / 88
- GUERRERO** **CENTRO DE SERVICIO ECLIPSE**
CALLE PRINCIPAL MZ. LI. 1, COL. SANTA FE, C.P. 39010, CHILPANCIÑO, GRO. TEL.: 747 478 5795
- HIDALGO** **FERREPRECIOS S.A. DE C.V.**
LIBERTAD ORIENTE #304 LOCAL 30, INTERIOR DE PASAJE ROBLED0, COL. CENTRO, C.P. 43600, TULANCINGO, HGO. TEL.: 775 753 6615 / 775 753 6616
- JALISCO** **SUCURSAL GUADALAJARA**
AV. ADOLFO B. HORN # 6800, COL. SANTA CRUZ DEL VALLE, C.P.: 45655, TLAJOMULCO DE ZUNIGA, JAL. TEL.: 33 5606 5285 AL 90
- MICHOACÁN** **FIX FERRETERÍAS**
AV. PASEO DE LA REPÚBLICA #3140-A, COL. EX-HACIENDA DE LA HUERTA, C.P. 58050, MORELIA, MICH. TEL.: 443 334 6858
- MORELOS** **FIX FERRETERÍAS**
CAPITÁN ANZURES #95, ESQ. JOSÉ PERRIZ, COL. CENTRO, C.P. 62740, CUAUTLA, MOR. TEL.: 735 352 8931
- NAYARIT** **HERRAMIENTAS DE TEPIC**
MAZATLAN #117, COL. CENTRO, C.P. 63000, TEPIC, NAY. TEL.: 311 258 0540
- NEUVO LEÓN** **SUCURSAL MONTERREY**
AV. STIVA #275, PARQUE INDUSTRIAL STIVA BARRAGAN, SAN NICOLAS DE LOS GARZA, C.P. 66420, MONTERREY, N.L. TEL.: 81 8352 8791 / 81 8352 8790
- OAXACA** **FIX FERRETERÍAS**
AV. 20 DE NOVIEMBRE #910, COL. CENTRO, C.P. 68300, TUXTEPEC, OAX. TEL.: 287 106 3092
- PUEBLA** **SUCURSAL PUEBLA**
AV. PERIFÉRICO #2-A, SAN LORENZO ALMECATLA, C.P. 72710, CUAUTLACINGO, PUE. TEL.: 222 282 8282 / 84 / 85 / 86
- QUERÉTARO** **ARU HERRAMIENTAS S.A DE C.V.**
AV. PUERTO DE VERACRUZ #110, COL. RANCHO DE ENMEDIO, C.P. 76842, SAN JUAN DEL RÍO, QRO. TEL.: 427 268 4544
- QUINTANA ROO** **FIX FERRETERÍAS**
CARRETERA FEDERAL MZ. 46 LT. 3 LOCAL 2, COL. EJIDAL, C.P. 77710 PLAYA DEL CARMEN, Q.R. TEL.: 984 267 3140
- SAN LUIS POTOSÍ** **FIX FERRETERÍAS**
AV. UNIVERSIDAD #1850, COL. EL PASEO, C.P. 78320, SAN LUIS POTOSÍ, S.L.P. TEL.: 444 822 4341
- SINALOA** **SUCURSAL CULIACÁN**
AV. JESÚS KUMATE SUR #4301, COL. HACIENDA DE LA MORA, C.P. 80143, CULIACÁN, SIN. TEL.: 667 173 9139 / 173 8400
- SONORA** **FIX FERRETERÍAS**
CALLE 5 DE FEBRERO #517, SUR LT. 25 MZ. 10, COL. CENTRO, C.P. 85000, CD. OBREGÓN, SON. TEL.: 644 413 2392
- TABASCO** **SUCURSAL VILLAHERMOSA**
CALLE HELIO LOTES 1, 2 Y 3 MZ. #1, COL. INDUSTRIAL, 2A ETAPA, C.P. 86010, VILLAHERMOSA, TAB. TEL.: 993 555 7244
- TAMAULIPAS** **VM ORINGS Y REFACCIONES**
CALLE ROSITA #527 ENTRE 20 DE NOVIEMBRE Y GRAL. RODRÍGUEZ, FRACC. REYNOSA, C.P. 88780, REYNOSA, TAMS. TEL.: 899 926 7552
- TLAXCALA** **SERVICIOS Y HERRAMIENTAS INDUSTRIALES**
PABLO SIDAR #132, COL. BARRIO DE SAN BARTOLOMÉ, C.P. 90970, SAN PABLO DEL MONTE, TLAX. TEL.: 222 271 7502
- VERACRUZ** **LA CASA DISTRIBUIDORA TRUPER**
BLVD. PRIMAVERA, ESQ. HORTENSIA S/N, COL. PRIMAVERA C.P. 93308, POZA RICA, VER. TEL.: 782 825 8100 / 826 8484
- YUCATÁN** **SUCURSAL MÉRIDA**
CALLE 33 #600 Y 602, LOCALIDAD ITZINCAB Y MULSAY, MPIO. UUMÁN, C.P. 97390, MÉRIDA, YUC. TEL.: 999 912 2451

Código	Modelo	Marca
28029	MOTB-2P	PRETUL®

Este producto está garantizado por 1 año. Para hacer válida la garantía o adquirir piezas y componentes deberá presentar el producto en Corregidora 22, Col. Centro, Alc. Cuauhtémoc, CDMX C.P. 06060 o en el establecimiento donde lo compró, o en algún Centro de Servicio Truper® de los enlistados en el anexo de la póliza de garantía y/o en www.truper.com. Los gastos de transportación que resulten para su cumplimiento serán cubiertos por  **TRUPER®**

Para dudas o comentarios, llame al **800-690-6990**. Hecho en China. Importado por Truper S.A. de C.V. Parque Industrial 1, Jilotepec, Edo. de Méx. C.P. 54240

Sello del establecimiento comercial. Fecha de entrega:



1
AÑO