

Manual

Gasoline Engine

6.5 Hp / 13 Hp

Power

Applies for:

Codes

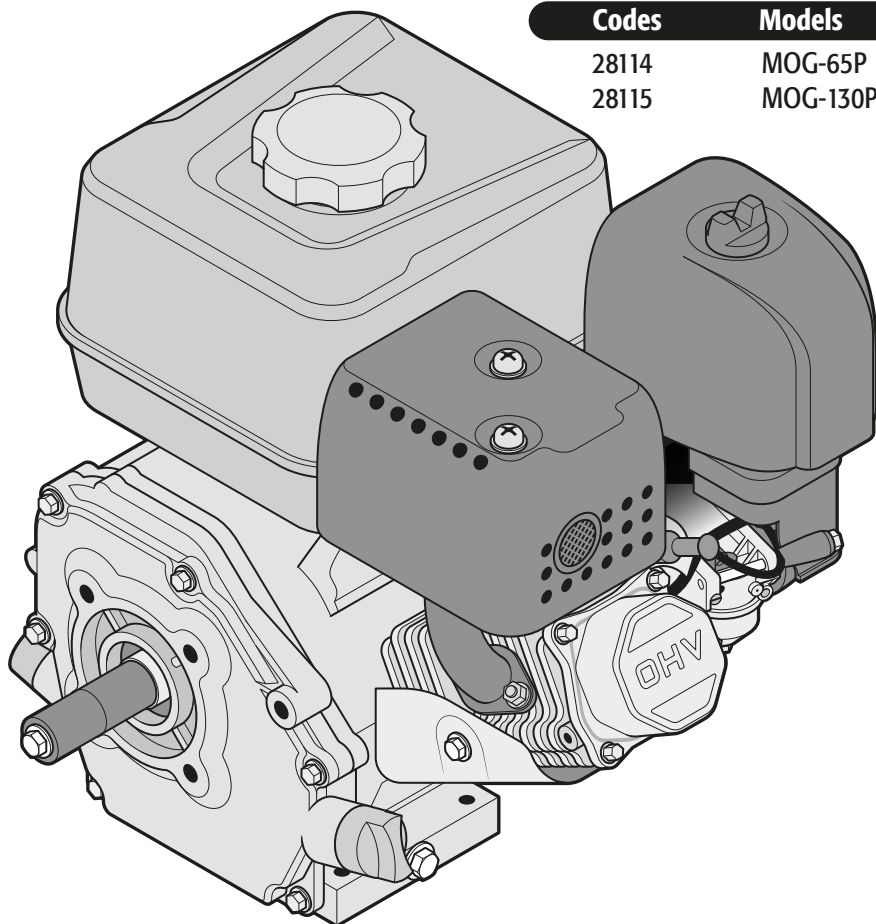
Models

28114

MOG-65P

28115

MOG-130P





CAUTION



Read this manual thoroughly
before using the tool.



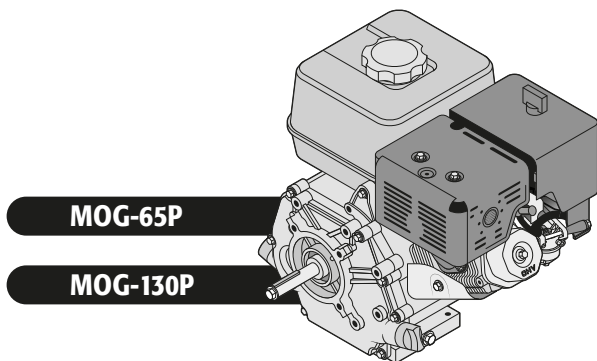
Technical Data	3
Fuel Specifications	3
 General Safety Warnings for Motor Tools	4
 Safety Warnings for Gasoline Engines	5
Parts	6
Assembly	7
Fuel and Oil	8
Start Up	9
Maintenance	10
Troubleshooting	12
Notes	13
Authorized Service Centers	15
Warranty Policy	16

CAUTION

To gain the best performance of the tool, prolong the duty life, make the Warranty valid if necessary, and to avoid hazards of fatal injuries please read and understand this Manual before using the tool.

Keep this manual for future references.

The illustrations in this manual are for reference only. They might be different from the real tool.



MOG-65P
MOG-130P

Code •	28114	28115
Description •	Gasoline Engine	
Motor Cylinders •	196 cm ³ (cc)	389 cm ³ (cc)
Motor Rated Power •	6.5 Hp	13 Hp
Max. Torque •	11.8 Nm	25 Nm
Diameter / Type shaft •	3/4" whit keyseat	1" whit keyseat
Motor Type •	4-stroke OHV	
No Load Speed •	3 600 RPM	
Fuel •	Gasoline	
Gas Tank Capacity •	0.63 gal	1.25 gal
Fuel Consumption •	0.7 L/h	1.5 L/h
Oil Type •	SAE 10W/30	
Noise Level •	< 94 dB	
Weight •	28.6 lb	63.9 lb
Low oil level sensor		

Fuel Specifications

- The equipment has an air-cooled 4-stroke motor using pure unleaded gasoline.
- For no reason at all mix oil with the fuel.

⚠ WARNING • For no reason at all use fuel mixed with ethyl alcohol (gasohol), ethanol or methane. These attract humidity causing separation and acid build up when stored. Acidity can damage the motor fuel system when stored.

- To avoid having problems with the motor, please drain the fuel system before storing the equipment 30 days or longer. Drain the gasoline tank, start the motor and leave it running until the fuel lines are empty. Next season, use fresh gasoline.

- Never use inside the gasoline tank products to clean motors or carburetors. Those products can cause permanent damage to the Motor.

Do not use the equipment in closed areas.

⚠ DANGER Prevent breathing accumulated carbon monoxide, an odorless, toxic and potentially fatal gas.



Never smoke near fuel.

⚠ DANGER Do not smoke near the filling-up area or while operating the equipment.



Keep your work area clean, tidy and well lit.

CAUTION Cluttered and dark areas may cause accidents.



Never use the tool in explosive areas or in the presence of flammable liquids.

DANGER Before starting the motor keep the tool at least 9 meters (30 feet) away from the fill up area.



Keep children and passersby at a safe distance while operating the tool.

WARNING Distractions could cause losing control and cause accidents.



Avoid contact with power lines and circuits.

DANGER Find and avoid power lines and circuits, especially hidden wiring as well as any grounded object.



Stay alert, use care and common sense.

CAUTION Familiarity with the tool operation could lead to distractions. It could cause accidents.

Refrain from using the tool if tired or under the influence of drugs, alcohol or medication.

DANGER Being momentarily distracted while using the tool could cause severe personal injury.

Operate the tool with guards and protection devices in place and in good working condition.

WARNING Failure to comply with this warning is a hazard of severe personal injury.

Do not force the tool.

CAUTION Working within the tool's working design assures a better and safer job.



Keep the tool in a safe place and out of the reach of children.

WARNING Motor powered tools are dangerous to inexperienced people.



Wear proper clothes.

WARNING Loose clothes, jewelry or long hair could get caught in the mobile parts.



Keep hands away from rotating and/or mobile parts.

WARNING Failure to comply with this warning is a hazard of severe personal injury.



Do not operate the tool in enclosed areas.

DANGER Avoid breathing accumulated carbon monoxide, a potentially deadly odorless toxic gas.



Wear adequate protective safety accessories.

CAUTION Wear eye protection, dust mask, non-skid safety shoes, helmet and ear plugs. These safety gears reduce the risk of injury.



Turn off the tool before adjusting, changing accessories or storin.

WARNING Double check the tool switch is in the off position.

Refrain from operating the tool if the switch is not working or is not properly assembled.

WARNING Failure to complain with this warning is a hazard of personal injury. Immediately send it to a **TRUPER** Authorized Service Center.

Do not overreach.

CAUTION Good balance and support lead to better controlling the tool in unexpected situations.

Avoid the tool to unintentionally start.

WARNING Double-check the tool motor is off before maintenance or putting it away.



Remove brackets before turning on the tool.

DANGER Additional tools or vices installed in a rotating part could cause severe personal injury.

Service the tool and double-check it is in good working conditions before operating.

CAUTION Carefully check mobile parts, alignment and assembly. Do it periodically. Look for any damaged element or part not working properly. Repair immediately in a **TRUPER** Authorized Service Center.



Accessories.

CAUTION Use only accessories or spare parts indicated in this Manual or certified by **TRUPER**.

Never leave a running tool unattended.

DANGER Turn off and disconnect the tool after using. Set it in a safe position to avoid severe injury.

Never smoke in the proximity of fuel.

DANGER Do not smoke in the proximity of the fuelling area or when using the tool.



Do not touch parts with high temperatures.

The surface of the engine and the exhaust reach high temperatures during the operation of the tool.



Service and repair.

Always go to a **TRUPER** Authorized Service Center to use identical spare parts and maintain the security of the tool.

Safety Warnings for Gasoline Engines

PRETUL®

Fuel Handling

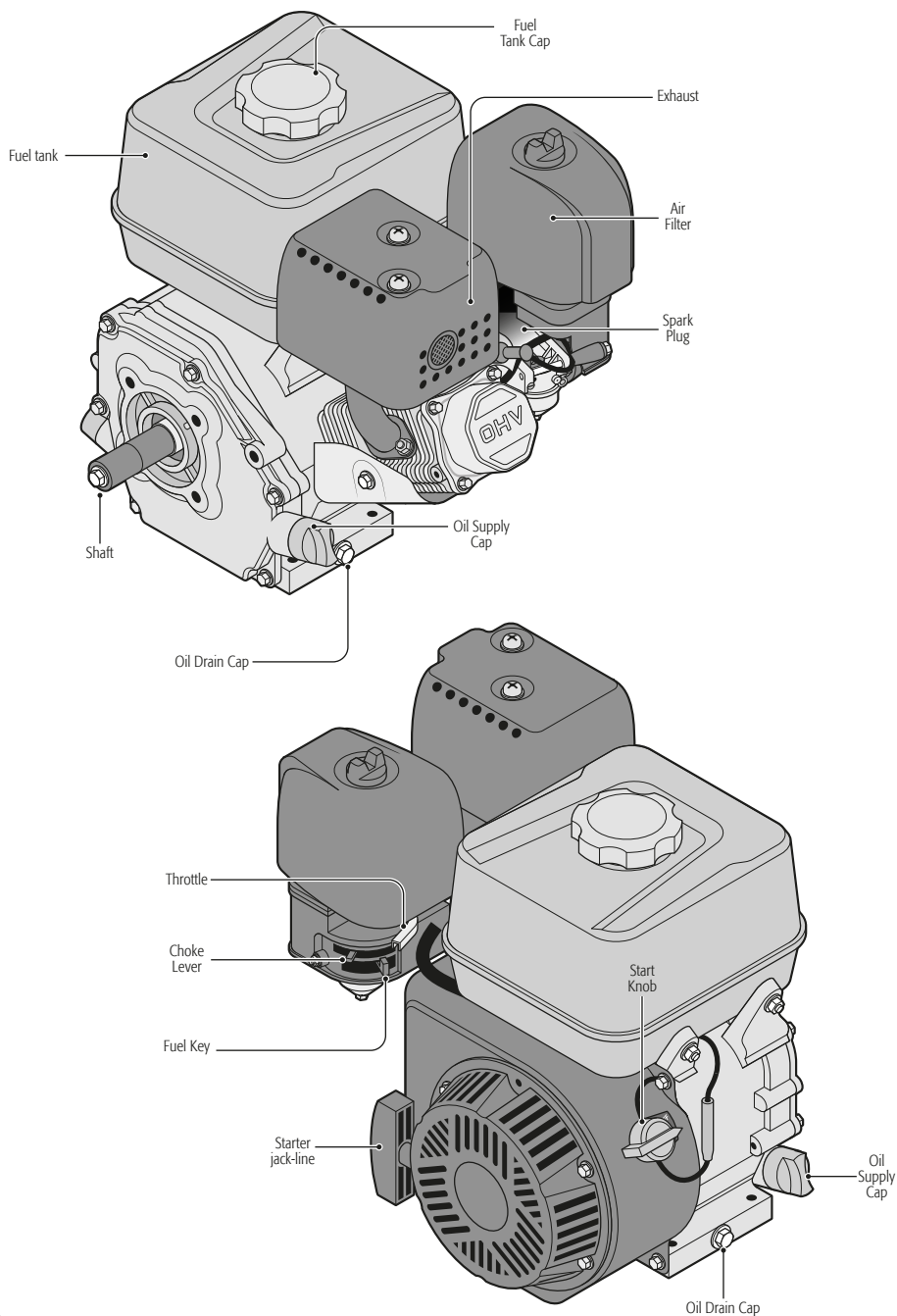
- Never smoke close to where there is fuel, nor the filling up zone or when operating the pump. 
 - To reduce risk of fire or burns, handle fuel with care. It is extremely flammable. 
 - Prevent gasoline or oil to be in contact with your skin.
 - Protect your eyes to guard off gasoline or oil splashes.
- In the event of accidental contact, wash immediately with clear water. If irritations persist, go see a physician.
- Store fuel in a dedicated container.

⚠ WARNING • Before re-fueling, shut down the motor, set the equipment on clear terrain and wait for it to cool down.

⚠ CAUTION • Wipe clean all the spilled fuel before operating the equipment.

⚠ CAUTION • Check for fuel leaks to prevent fire, or burns. If there are leaks, mend them before using the pump.

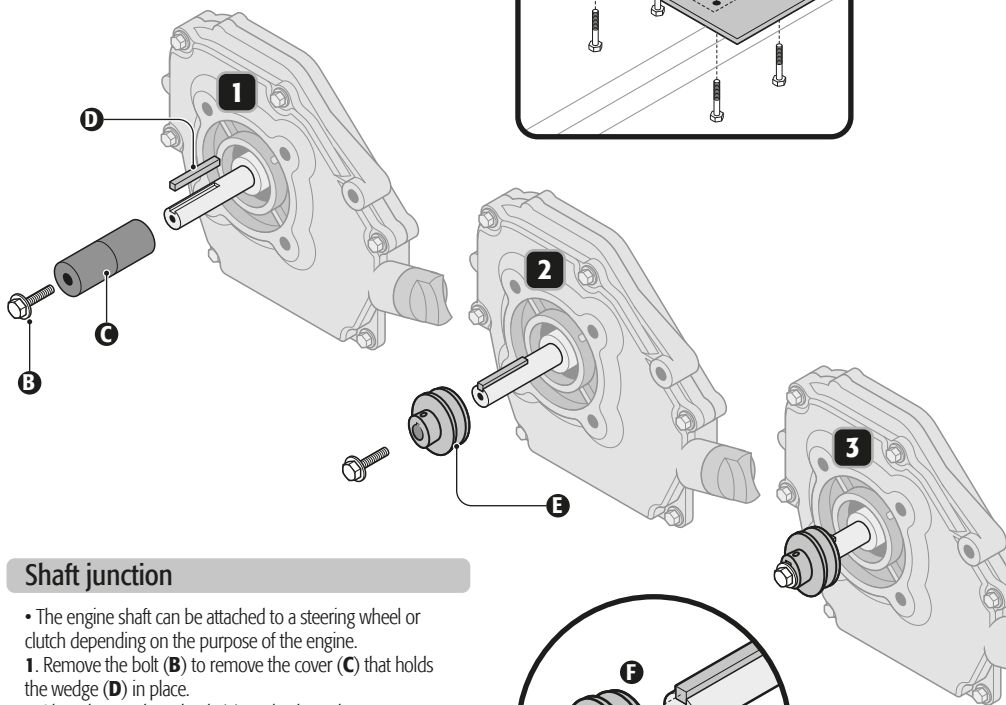
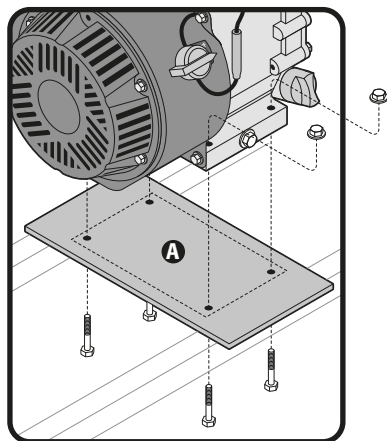
- Under no reason at all burn spilled fuel to get rid of it.
- For no reason use any other type of fuel than that specified in the instructions.



Engine mount

• The motor must be attached to a plate (A) welded to the structure or chassis of the machine where the engine will be housed. This plate must be larger than the base of the engine and have four perforations to fix the motor with four sets of hexagonal bolts.

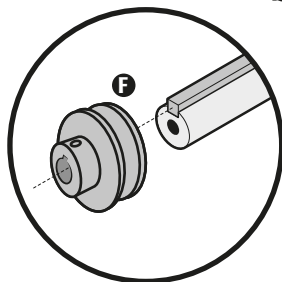
NOTE The motor must be mounted on a level surface otherwise the motor may be damaged due to improper lubrication.



Shaft junction

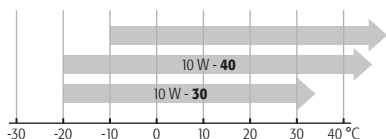
• The engine shaft can be attached to a steering wheel or clutch depending on the purpose of the engine.

1. Remove the bolt (B) to remove the cover (C) that holds the wedge (D) in place.
2. Place the steering wheel (E) or clutch on the motor shaft not without first placing the key on the shaft to match the steering wheel slot (F).
3. Secure the steering wheel on the shaft with the bolt (B).



Oil Supply (A)

- Set the equipment onto a flat and leveled surface.
- Turn and remove the oil supply cap.
- Use 4-stroke motor oil. Using SAE 10W/30 general oil for all temperatures is recommended. As indicated in the following table, other viscosities can be used when the local average temperature is within the indicated range.



- Set back the cap and remove it to check oil level in the cap oil measuring rod.
- Once the oil tank is in the right level indicated in the rod, tighten the cap to prevent leaks.

CAUTION • Do not exceed the oil maximum level because it causes a lot of smoke when starting the motor.

CAUTION • Check the oil level before each use. If necessary, add oil until the level is between the limits in the cap rod.

CAUTION • Replace oil after 20 hours' operation or each season. It may be necessary to replace oil more often during dusty or dirt conditions.

High Altitude Operation

• In high altitudes, the air-fuel combination in a standard carburetor will be rich in fuel. Performance will be low and fuel consumption will increase.

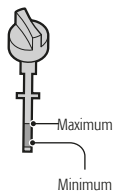
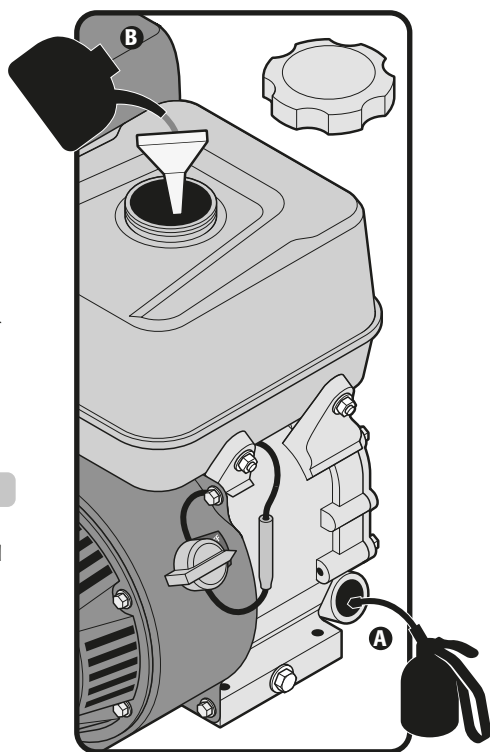
• Performance while operating in high altitudes may improve if the carburetor is regulated adjusting the main knob. The machine is adjusted to operate at altitudes above 6000 feet over sea level. If noticing the machine is not operating efficiently go to a **TRUPER** Authorized Service Center to carry out the modification needed in the carburetor.

• Even though the carburetor is having an adequate injection, the motor power will diminish approximately 3.5% per each increase of 1000 feet after 6890 feet above sea level. The power decrease will be higher if no modifications are carried out in the carburetor.

WARNING • If the machine is operated in a height inadequate to the carburetor adjustment, low performance, overheating and severe damage in the motor can be caused due to the excessive air mix in the fuel.

Fuel Supply (B)

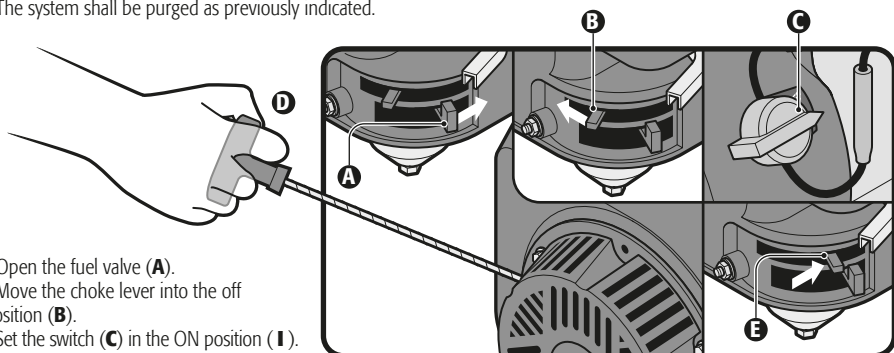
- Set the Pressure Washer on a flat and leveled surface.
- Clean and dry the area around the fuel cap.
- Remove the fuel cap.
- Using a funnel fill slowly the fuel tank up to the lower part of the tank neck. Do not overfill to allow fuel expansion and prevent spillage.
- Clean any fuel spills.
- Cover the tank rotating the cap until hearing a click.
- Clean any spilled fuel before starting up.



Start Up

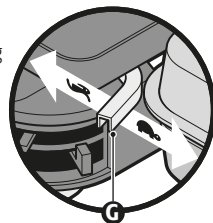
⚠ CAUTION Before starting the pump some topics need to be taken care of. Otherwise it can get damaged and the Warranty cancelled:

- All the hoses shall be disconnected, totally untangled and with no kinks.
- Water supply shall be connected and fully open.
- Gasoline and oil levels shall be right.
- The system shall be purged as previously indicated.



- Open the fuel valve (A).
- Move the choke lever into the off position (B).
- Set the switch (C) in the ON position (I).
- Move the throttle lever (G) to the high-speed position (↘).
- Slowly pull the starter lever (D) until filling resistance in the line. Then, pull with force to start the motor. **⚠ CAUTION** Carefully return the lever to its place. do not release it, otherwise it would snap back and get damaged.
- Allow the motor to run 5 seconds, and then move the choke lever into the "ON" position (E).

⚠ CAUTION • Keep on paying CAUTION to the water source level because during the pumping operation the level could go so low until the suction hose end is out of the water. In this situation turn off the pump immediately and correct the suction hose depth. Avoid making the pump function with no water, otherwise it may get damaged.



Shut OFF

- Move the throttle lever (G) into the low speed position (↘).
- Turn off the switch (C).
- Move the fuel lever (A) moving the lever into the closed (OFF) position.
- Move the choke lever (D) into the "OFF" position.


⚠ CAUTION • To stop the motor during an emergency, set the motor switch directly into the "OFF" position.

CAUTION • Regular and careful maintenance is essential to maintain the safety levels and the optimal performance of the equipment.

- Before cleaning, repairing, inspecting or storing the equipment, shut off the motor and wait until the motor is completely cooled down.
- Keep nuts, bolts and screws tight to assure the equipment is in a safe working condition.
- Do not alter the safety devices. Verify regularly if they work right.

• Any worn or damaged part shall be replaced before using the equipment. Do not try to repair the parts. It can damage the equipment and become a risk to your safety.


• Any repair or maintenance works different to those described in this section, for example, adjusting the carburetor, shall be carried out only in a

 **TRUPER** Authorized Service Center.

Regular Maintenance

	Before Each Use	Every 20 h or each month	Every 50 h or 3 months	Every 100 h or 6 months	Every 300 h or every year
General Inspection	Carry Out				
Motor Oil	Check	Change		Change	
Air Filter	Check		Clean (1)		
Sediment Container				Clean	
Spark Plug				Clean / Readjust	
Valve Clearance					Clean / Readjust (2)
Fuel Tank and Sieve					Clean (2)
Fuel Line		Check and replace every 3 years if necessary (2)			
Fuel Tank Cap				Clean	
Fuel Filter					Clean

1. When operating the equipment in dusty places carry out maintenance more frequently.

2. Go to a  **TRUPER** Authorized Service Center for this service.

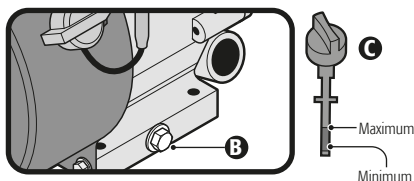
Air Filter

- Check the air filter to ensure is in good conditions. Remember, a dirty filter can make starting difficult, loosing performance and shorten the working life of the motor.
- Remove the wing nut, then remove the filter cover and the filter element.
- Set apart both the sponge filter from the paper filter elements.
- Wash the sponge filter with a detergent and hot water solution. Let the filter dry completely.
- Soak the sponge filter in clean SAE-20 motor oil. Squeeze out until eliminating excessive oil. The motor may expel smoke during start up if too much oil is left.
- Install back the filter in its container and set the cover back in place.

CAUTION Never use gasoline to clean the air filter. It could cause an explosion or fire. Never start the motor with the air filter removed. The motor will wear out faster.

Oil Replacement

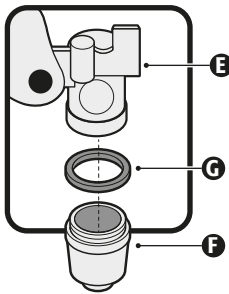
- The oil drain cap is under the motor (**B**).
- Set the dedicated container underneath the motor to receive the oil. Remove the drain cap and then, the tank cap (**C**). When the oil has drained, set back the drain cap.
- Wipe clean any leak or spill.
- Fill up the tank with SAE-10W/30 oil.
- Check oil level placing the oil tank cap without screwing it back. Oil level shall be between the *maximum* and *minimum* marks in the oil measuring rod. Double check the level is not exceeding the *maximum* mark. When the level is right, tighten the tank cap.
- Start the motor. Leave it running a few moments. Stop the motor, wait one minute and check again oil level. Fill up if necessary.
- For no reason at all, pour oil in the drain. Take used oil and oil filter to a recycling unit.



Fuel Filter

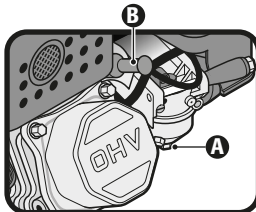
- The fuel filter stops water or dirt present in the fuel tank to enter into the carburetor. If the motor has not been run after a long period of time, the sediment container need cleansing.
- With the motor off and ambient temperature close the fuel key (E).
- Remove the sediment container (F). Clean its interior.
- Leave the container drying completely.
- Verify the washer (G) is in good conditions and set the sediment container back in place.
- The tank fuel filter shall be washed according to the maintenance program indicated in page 11.

▲ NOTE These instructions apply only for models MOTB-2 and MOTB-3



Fuel Drain

- Set a dedicated container under the tank to receive gasoline. Use a funnel to prevent fuel spills.
- Close the fuel key. Remove and clean the fuel filter as indicated above.
- Before setting the filter, open the filter key to drain all the fuel tank contents. When drained, place the filter and the sediment container.
- Set a dedicated container under the carburetor to receive gasoline. Use a funnel to prevent fuel spills.
- Remove the drain bolt (A).
- When fuel has been drained into the container, set the drain bolt back and the washer. Tighten firmly.
- Wipe clean all the fuel spills.



Spark Plug

- Before removing the spark plug (B), wipe clean the area around the spark plug base to stop dust and debris entering the motor. Then, using a spark-plug wrench remove the spark plug.
- Clean the carbon deposits from the spark plug electrodes using a spark plug cleaner or a wire brush.
- Replace the old spark plug with a new one if damaged, worn or if in doubt.
- Measure the gap between both electrodes. Use a spark plug gauge. The distance between the center electrode and the side electrode shall be between 0.027" and 0.031"
- Check the spark plug washer is in good conditions.
- Insert the spark plug manually to prevent maladjustment.
- After setting the spark plug, tighten with a spark plug wrench to compress the washer.

▲ CAUTION If installing a new spark plug, tighten half-a-turn until the spark plug is in place and can press the washer. If installing a used spark-plug, tighten 1/8 of a turn after the spark plug is in place and can press the washer.

▲ WARNING Improperly installed or out of range spark plugs cause overheating and damage the motor.

Storing and Transportation

- When moving the equipment, shut down the motor switch and close the fuel key. Keep the equipment leveled to prevent fuel spills.
- When storing the equipment long periods of time:
- Drain completely all the fuel as indicated in the previous paragraph. Then, start the motor until all the fuel inside the motor is consumed.
- Replace oil as indicated in page 11.
- Remove the spark plug and pour a spoonful of SAE-10W/30 oil into the cylinder. Pull the jack-line to distribute the oil through the system. Set the spark plug back in place.
- Pull softly the jack-line handle until feeling resistance. This indicated the cylinder is reaching the compression phase and the escape and absorption valves are closed. Storing the equipment in these conditions prevents internal corrosion.
- Wipe clean the equipment with a damp cloth and cover it to prevent dust accumulation.
- Store the equipment in a clean, dry place, away from the reach of children.

Problem

Cause

Solution

Motor does not start.

- The switch is OFF.
- Not enough fuel.
- Oil level is too low or there is no oil.

- Gasoline is not getting into the carburetor.

- No spark in the spark plug.

- Turn ON the switch.
 - Fill up fuel tank.
 - Check oil level as indicated in page 8.
 - Having the fuel tank full, verify fuel flow in the carburetor:
 1. Set a dedicated container under the carburetor and use a funnel to prevent fuel spills.
 2. Remove the drain bolt. Fuel shall flow freely. Otherwise, go to a  **TRUPER** Authorized Service Center.
 - Verify the spark plug spark:
 1. Disconnect the spark plug cable, wipe clean dust around the spark plug and remove it.
 2. Connect the cable to the spark plug.
 3. Turn on the motor.
 4. Make the spark plug electrode contact any metal part in the motor that is free of fuel.
- ⚠ CAUTION** Is important to carry out tests in a ventilated area with no fuel spilled, otherwise an explosion may occur.
5. Pull the jack-line handle to generate a spark between the spark plug central electrode and the metal part. If there is no spark, the spark plug needs replacement.
 6. If with a new spark plug still is no spark go to a  **TRUPER** Authorized Service Center.

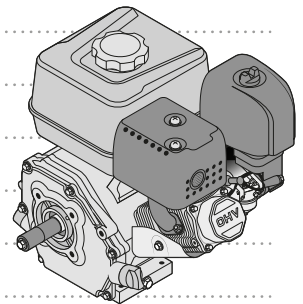
The motor starts but stops unexpectedly.

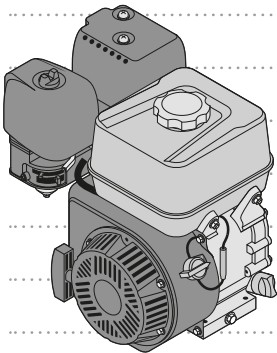
- Oil level is too low.

- Check motor level as indicated on page 8. Start the motor again.

If problems persist despite all the corrective actions contact a  **TRUPER** Authorized Service Center.

A series of horizontal dotted lines for taking notes, spanning the width of the page.






In the event of any problem contacting a  **TRUPER** Authorized Service Center, please see our webpage www.truper.com to get an updated list, or call our toll-free numbers **800 690-6990** or **800 0187-8737** to get information about the nearest Service Center.

- AGUASCALIENTES** **DE TODO PARA LA CONSTRUCCIÓN**
GRAL. BARRAGÁN #1201, COL. GREMIAL, C.P. 20050,
AGUASCALIENTES, AGS. TEL.: 449 994 0537
- BAJA CALIFORNIA** **SUCURSAL TIJUANA**
AV. LA ENCANTADA, LOTE #5, PARQUE INDUSTRIAL EL
FLORIDO II, C.P. 22244, TIJUANA, B.C.
TEL.: 664 969 5100
- BAJA CALIFORNIA SUR** **FIX FERRETERÍAS**
FELIPE ANGELES ESQ. RUIZ CORTINEZ S/N, COL. PUEBLO
NUEVO, C.P. 23670, CD. CONSTITUCIÓN, B.C.S.
TEL.: 615 132 1115
- CAMPECHE** **TORNILLERÍA Y FERRETERÍA AAA**
AV. ÁLVARO OBREGÓN #27, COL. ESPERANZA
C.P. 24080 CAMPECHE, CAMP. TEL.: 981 815 2808
- CHIAPAS** **FIX FERRETERÍAS**
AV. CENTRAL SUR #27, COL. CENTRO, C.P. 30700,
TAPACHULA, CHIS. TEL.: 962 118 4083
- CHIHUAHUA** **SUCURSAL CHIHUAHUA**
AV. SILVESTRE TERRAZAS #128-11, PARQUE INDUSTRIAL
BAFAR, CARRETERA MÉXICO CUAUHTÉMOC, C.P. 31415,
CHIHUAHUA, CHIH. TEL.: 614 434 0052
- MEXICO CITY** **FIX FERRETERÍAS**
EL MONSTRUO DE CORREGIDORA, CORREGIDORA # 22,
COL. CENTRO, C.P. 06060, CUAUHTÉMOC, CDMX.
TEL.: 55 5522 5051 / 5522 4861
- COAHUILA** **SUCURSAL TORREÓN**
CALLE METAL MECÁNICA #280, PARQUE INDUSTRIAL
ORIENTE, C.P. 27278, TORREÓN, COAH.
TEL.: 871 209 68 23
- COLIMA** **BOMBAS Y MOTORES BYMTESA DE MANZANILLO**
BLVD. MIGUEL DE LA MADRID #190, COL. 16 DE
SEPTIEMBRE, C.P. 28239, MANZANILLO, COL.
TEL.: 314 332 1986 / 332 8013
- DURANGO** **TORNILLOS ÁGUILA, S.A. DE C.V.**
MAZURIÑO #200, COL. LUIS ECHEVERRÍA, DURANGO,
DGO. TEL.: 618 817 1946 / 618 818 2844
- ESTADO DE MÉXICO** **SUCURSAL CENTRO JILOTEPEC**
AV. PARQUE INDUSTRIAL #11-A, C.P. 54240, JILOTEPEC,
EDO. DE MÉX. TEL.: 761 782 9101 EXT. 5728 Y 5102
- GUANAJUATO** **CÍA. FERRETERA NUEVO MUNDO S.A. DE C.V.**
AV. MÉXICO - JAPÓN #225, CD. INDUSTRIAL, C.P. 38010,
CELAYA, GTO. TEL.: 461 617 7578 / 79 / 80 / 88
- GUERRERO** **CENTRO DE SERVICIO ECLIPSE**
CALLE PRINCIPAL MZ I LT. 1, COL. SANTA FE, C.P. 39010,
CHILPANCIÑO, GRO. TEL.: 747 478 5793
- HIDALGO** **FERREPRECIOS S.A. DE C.V.**
LIBERTAD ORIENTE #304 LOCAL 50, INTERIOR DE PASAJE
ROBLEDO, COL. CENTRO, C.P. 43600, TULANCINGO,
HGO. TEL.: 775 753 6615 / 775 753 6616
- JALISCO** **SUCURSAL GUADALAJARA**
AV. ADOLFO B. HORN # 6800, COL: SANTA CRUZ DEL
VALLE, C.P.: 45655, TLAJOMULCO DE ZUÑIGA, JAL.
TEL.: 33 3606 5285 AL 90
- MICHOACÁN** **FIX FERRETERÍAS**
AV. PASEO DE LA REPÚBLICA #3140-A, COL.
EX-HACIENDA DE LA HUERTA, C.P. 58050, MORELIA,
MICH. TEL.: 443 334 6858
- MORELOS** **FIX FERRETERÍAS**
CAPITÁN ANZURES #95, ESQ. JOSÉ PERDIZ, COL.
CENTRO, C.P. 62740, CUAUTLA, MOR.
TEL.: 735 352 8951
- NAYARIT** **HERRAMIENTAS DE TEPIC**
MAZATLAN #117, COL. CENTRO, C.P. 63000, TEPIC, NAY.
TEL.: 131 258 0540
- NUEVO LEÓN** **SUCURSAL MONTERREY**
CARRETERA LAREDO #300, 1B MONTERREY PARKS,
COLONIA PUERTA DE ANAHUAC, C.P. 66052, ESCOBEDO,
NUEVO LEÓN, TEL.: 81 8352 8791 / 81 8352 8790
- OAXACA** **FIX FERRETERÍAS**
AV. 20 DE NOVIEMBRE #910, COL. CENTRO, C.P. 68300,
TUXTEPEC, OAX. TEL.: 287 106 5092
- PUEBLA** **SUCURSAL PUEBLA**
AV. PERIFÉRICO #2-A, SAN LORENZO ALMECATLA,
C.P. 72710, CUAUHTLACINGO, PUE.
TEL.: 222 282 8282 / 84 / 85 / 86
- QUERÉTARO** **ARU HERRAMIENTAS S.A. DE C.V.**
AV. PUERTO DE VERACRUZ #110, COL. RANCHO DE
ENMEDIO, C.P. 76842, SAN JUAN DEL RÍO, QRO.
TEL.: 427 268 4544
- QUINTANA ROO** **FIX FERRETERÍAS**
CARRETERA FEDERAL MZ. 46 LT. 3 LOCAL 2, COL. EJIDAL,
C.P. 77710 PLAYA DEL CARMEN, Q.R.
TEL.: 984 267 3140
- SAN LUIS POTOSÍ** **FIX FERRETERÍAS**
AV. UNIVERSIDAD #1850, COL. EL PASEO, C.P. 78320,
SAN LUIS POTOSÍ, S.L.P. TEL.: 444 822 4341
- SINALOA** **SUCURSAL CULIACÁN**
AV. JESÚS KUMATE SUR #4301, COL. HACIENDA DE LA
MORA, C.P. 80143, CULIACÁN, SIN.
TEL.: 667 173 9139 / 173 8400
- SONORA** **FIX FERRETERÍAS**
CALLE 5 DE FEBRERO #517, SUR LT. 25 MZ. 10, COL.
CENTRO, C.P. 85000, CD. OBREGÓN, SON.
TEL.: 644 413 2392
- TABASCO** **SUCURSAL VILLAHERMOSA**
CALLE HELIO LOTES 1, 2 Y 3 MZ. #1, COL. INDUSTRIAL,
2A ETAPA, C.P. 86010, VILLAHERMOSA, TAB.
TEL.: 993 355 7244
- TAMAULIPAS** **VM ORINGS Y REFACCIONES**
CALLE ROSITA #527 ENTRE 20 DE NOVIEMBRE Y GRAL.
RODRIGUEZ, FRACC. REYNOSA, C.P. 88780, REYNOSA,
TAMS. TEL.: 899 926 7552
- TLAXCALA** **SERVICIOS Y HERRAMIENTAS INDUSTRIALES**
PABLO SIDAR #132, COL. BARRIO DE SAN BARTOLOMÉ,
C.P. 90970, SAN PABLO DEL MONTE, TLAX.
TEL.: 222 271 7502
- VERACRUZ** **LA CASA DISTRIBUIDORA TRUPER**
BLVD. PRIMAVERA, ESQ. HORTENSIA S/N, COL.
PRIMAVERA, C.P. 93308, POZA RICA, VER.
TEL.: 782 823 8100 / 826 8484
- YUCATÁN** **SUCURSAL MÉRIDA**
CALLE 33 #600 Y 602, LOCALIDAD ITZINCAB Y MULSAY,
MPIO. UMAN, C.P. 97390, MÉRIDA, YUC.
TEL.: 999 912 2451

Codes	Models	Brand
28114	MOG-65P	PRETUL®
28115	MOG-130P	

This product is guaranteed for 1 year. To make the warranty valid or purchase parts and components you must present the product in Corregidora 22, Col. Centro, Alc. Cuauhtémoc, CDMX C.P. 06060 or at the establishment where you purchased it, or at any Truper® Service Center listed in the annex to the warranty policy and/or in www.truper.com. Transportation costs resulting from compliance of this warranty will be covered by  **TRUPER®**

For questions or comments, call **800-690-6990**. Made in China. Imported by Truper S.A. de C.V. Parque Industrial 1, Jilotepec, Edo. de Méx. C.P. 54240



1 YEAR

Stamp of the business. Date of purchase:



1 AÑO

Sello del establecimiento comercial. Fecha de compra:

Este producto está garantizado por 1 año. Para hacer válida la garantía o adquirir piezas y componentes deberá presentar el producto en Corregidora 22, Col. Centro, Alc. Cuauhtémoc, CDMX C.P. 06060 o en el establecimiento donde lo compró, o en algún Centro de Servicio Truper® de los enlistados en el anexo de la póliza de garantía y/o en www.truper.com. Los gastos de transportación que resulten para su cumplimiento serán cubiertos por **TRUPER**. Para dudas o comentarios, llame al **800-690-6990**. Hecho en China. Importado por Truper S.A. de C.V. Parque Industrial 1, Jilotepec, Edo. de Méx. C.P. 54240

Códigos	Modelos	Marca
28114	MOG-65P	PRETUL
28115	MOG-130P	PRETUL

**Póliza de
Garantía**

PRETUL®

En caso de tener algún problema para contactar un Centro de Servicio Autorizado **TRUPER** consulte nuestra página www.truper.com donde obtendrá un listado actualizado, o llame al: 800 690-6990 ó 800 0187-8737 donde le informarán cuál es el Centro de Servicio más cercano.

AGUASCALIENTES

DE TODO PARA LA CONSTRUCCIÓN
AGUA BARCAÑAL #1201, COL. CENTRAL, C.P. 20030,
AGUASCALIENTES, AGS. TEL.: 449 994 0557

BAJA CALIFORNIA

SUCURSAL TIJUANA
AV. LA ENCANTADA LOTE #5, PARQUE INDUSTRIAL EL
FLORIDO II, C.P. 22244, TIJUANA, B.C.
TEL.: 664 969 5100

BAJA CALIFORNIA SUR

BAJA
FELIPE ANGELES ESQ. RUIZ CORTINEZ S/N, COL. PUEBLO
NUEVO, C.P. 23670, CD. CONSTITUCIÓN, B.C.S.
TEL.: 615 152 1115

CAMPECHE

TORNILLERÍA Y FERRERÍA AAA
AV. ALVARO ORBEÓN #324, COL. ESPERANZA
C.P. 24080 CAMPECHE, CAMP. TEL.: 981 815 2808

CHIAPAS

CHIAPAS
TAPACHULA, CHIS. TEL.: 962 118 4083

CHIHUAHUA

SUCURSAL CHIHUAHUA
AV. SILVESTRE TERRAZAS #128-11, PARQUE INDUSTRIAL
BARRA, CARRETERA MEXICO CUAUHTEMOC, C.P. 31415,
CHIHUAHUA, CHIH. TEL.: 614 434 0052

CIUDAD DE MEXICO

FIX FERRERIAS
EL MONTEJUO DE CORREGIDORA, CORREGIDORA # 22,
COL. CENTRO, C.P. 06060 CUAUHTEMOC, CDMX.
TEL.: 55 5222 5051 / 5522 4861

COAHUILA

SUCURSAL TORMENTO
CALLE METAL MECANICA #280, PARQUE INDUSTRIAL
ORIENTE, C.P. 21728, TORMENTO, COAH.
TEL.: 871 209 68 25

COLIMA

BOMBAS Y MOTORAS BVMESA DE MANZANILLO
BLVD. MIGUEL DE LA MADRID #190, COL. 16 DE
SEPTIEMBRE, C.P. 28239, MANZANILLO, COL.
TEL.: 514 5322 1986 / 352 8013

DURANGO

TORNILLOS AGUILA, S.A. DE C.V.
MAZURI #200, COL. LUIS ECHAVEZ, DURANGO,
DGO. TEL.: 618 817 1946 / 618 810 2844

ESTADO DE MEXICO

SUCURSAL CENTRO JILOTEPEC
AV. PARQUE INDUSTRIAL #1-A, C.P. 54240, JILOTEPEC,
EDO. DE MEX. TEL.: 661 782 9101 EXT. 5728 Y 5102

GUANAJUATO

AV. FERRERÍA NUEVO MUNDO S.A. DE C.V.
AV. MEXICO - JAPON #225, CD. INDUSTRIAL, C.P. 38010,
CELAYA, GTO. TEL.: 461 611 7518 / 79 / 80 / 88

GUERRERO

CENTRO DE SERVICIO EQUIPES
CENTRO PRINCIPAL MZ1 LT. 1, COL. SANTA FE, C.P. 39010,
CHILPANCIANGO, GRO. TEL.: 747 478 5793

HIDALGO

FERRERECIOS S.A. DE C.V.
LIBERTAD ORIENTE #504 LOCAL 30, INTERIOR DE PASAJE
ROBLED, COL. CENTRO, C.P. 45600, TULCANINGO,
HGO. TEL.: 775 755 6615 / 775 755 6616

JALISCO

SUCURSAL GUADALAJARA
AV. ADOLFO B. HORN # 6800, COL. SANTA CRUZ DEL
VALLE, C.P. 45655, TLAMUJLCO DE ZUNIGA, JAL.
TEL.: 33 5606 3285 AL 90

MICHOACÁN

FIX FERRERIAS
AV. PASO DE LA REPUBLICA #514-A, COL.
EX-HACIENDA DE LA HUERTIA, C.P. 58050, MORELIA,
MICH. TEL.: 443 534 6858

MORELOS

FIX FERRERIAS
CAPTAN ANZURES #95, ESQ. JOSÉ PERDIZ, COL.
CENTRO, C.P. 62740, CUAUTLA, MOR.
TEL.: 735 552 8951

NAVARRA

HERRAMIENTAS DE TEPIC
MAZTLAN #117, COL. CENTRO, C.P. 63000, TEPIC, NAV.
TEL.: 311 258 0540

NUevo LEÓN

SUCURSAL MONTERREY
CARRETERA LAREDO #500, 18 MONTERREY PARKS,
COLONIA PUERTA DE ARAHUA, C.P. 66052, ESCOBEDO,
NUEVO LEÓN, TEL.: 81 8352 8791 / 81 8352 8790

OAXACA

FIX FERRERIAS
AV. 20 DE NOVIEMBRE #910, COL. CENTRO, C.P. 68300,
TUXTEPEC, OAX. TEL.: 287 106 5092

PUEBLA

SUCURSAL PUEBLA
AV. PERIFÉRICO #2-A, SAN LORENZO ALMOCITLA,
C.P. 72710, CUAUHTEMOC, PUE.
TEL.: 222 282 8282 / 84 / 85 / 86

QUERÉTARO

ARU HERRAMIENTAS S.A. DE C.V.
AV. PUERTO DE VERACRUZ #110, COL. RANCHO DE
COLOMIA PUERTA DE ARAHUA, C.P. 66052, ESCOBEDO,
EMECIDIO, C.P. 76842, SAN JUAN DEL RÍO, QRO.
TEL.: 427 268 4544

QUINTANA ROO

FIX FERRERIAS
CARRETERA FEDERAL MZ. 46 LT. 3 LOCAL 2, COL. EJIDAL,
C.P. 77110 PLANA DEL CARMEN, Q.R.
TEL.: 984 267 3140

SAN LUIS POTOSÍ

FIX FERRERIAS
AV. UNIVERSIDAD #1850, COL. EL PASO, C.P. 78320,
SAN LUIS POTOSÍ, S.L.P. TEL.: 444 822 4341

SINALOA

SUCURSAL CUICATLÁN
AV. JESÚS GUAMANTE SUR #4301, COL. HACIENDA DE LA
MORA, C.P. 80145, CUICATLÁN, SIN.
TEL.: 667 173 9139 / 173 8400

SONORA

FIX FERRERIAS
CALLE 5 DE FEBRERO #517, SUR LT. 25 MZ. 10, COL.
CENTRO, C.P. 85000, CD. OBRERÓN, SON.
TEL.: 644 413 2592

TABASCO

SUCURSAL VILLAHERMOSA
CALLE HELIO LOTES 1, 2 Y 3 MZ. #1, COL. INDUSTRIAL,
2A ETAPA, C.P. 86010, VILLAHERMOSA, TAB.
TEL.: 993 535 7244

TAMAULIPAS

VIA ORIENTES Y REPARACIONES
CALLE ROSITA #527, ENTRE 20 DE NOVIEMBRE Y GRAL.
RODRÍGUEZ, FRACC. REYNOSA, C.P. 88780, REYNOSA,
TAMPS. TEL.: 899 926 7552

TLAXCALA

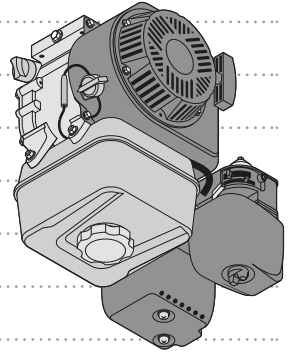
SERVICIOS Y HERRAMIENTAS INDUSTRIALES
PABLO SIDAR #152, COL. BARRIO DE SAN BARTOLOMÉ,
C.P. 90970, SAN PABLO DEL MONTE, TLAX.
TEL.: 222 271 7502

VERACRUZ

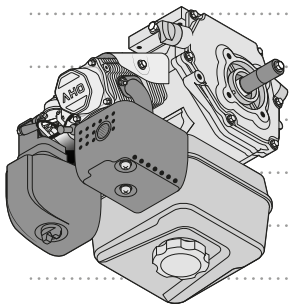
LA CASA DISTRIBUIDORA TRUPER
BLVD. PRIMAVERA, ESQ. HORTENSIA S/N, COL.
PRIMAVERA, C.P. 93508, FOZA RICA, VER.
TEL.: 282 823 8100 / 826 8484

YUCATÁN

SUCURSAL MÉRIDA
CALLE 53 #600 Y 602, LOCALIDAD TIZICAB Y MUTSAY,
MPIO. UMANÁ, C.P. 97390, MÉRIDA, YUC.
TEL.: 999 912 2451



A series of horizontal dotted lines spanning the width of the page, intended for handwritten notes.



Problema

Causa

Solución

El motor no arranca.

• El interruptor está apagado.

• No hay suficiente combustible.

• El nivel de aceite es muy bajo o no tiene aceite.

• Encienda el interruptor.

• Llene el tanque de combustible.

• Revise el nivel de aceite del motor como se

indica en la página 8.

• Con el tanque de combustible lleno, verifique

el flujo de combustible en el carburador.

1. Coloque debajo del carburador un

contenedor adecuado para recibir gasolina y

utilice un embudo para evitar que se salpique el

combustible.

2. Retire el perno de drenaje, el combustible debe

de fluir libremente. De lo contrario acuda a un

Centro de Servicio Autorizado

TRUPER

• Verifique la chispa de la bujía:

1. Desconecte el cable de la bujía, limpie el polvo

alrededor de la bujía y retirela.

2. Conecte el cable a la bujía.

3. Encienda el interruptor del motor.

4. Ponga en contacto el electrodo de la bujía con

cualquier parte metálica del motor libre de

combustible. **¡ATENCIÓN!** Es importante

realizar la prueba en áreas ventiladas y sin

combustible derramado, de lo contrario podría

ocasionar una explosión.

5. Tire de la manija del arrancador para generar

una chispa entre el electrodo central de la bujía y

la parte metálica. De no haber chispa la bujía

debe reemplazarse.

6. En caso de que no se produzca chispa con la

bujía nueva acuda a un Centro de Servicio

Autorizado **TRUPER**.

El motor arranca pero

se detiene

inesperadamente.

• El nivel de aceite es muy bajo.

• Revise el nivel de aceite del motor como se

indica en la página 8. Encienda de nuevo el

motor.

Si los problemas persisten a pesar de realizar las acciones correctivas recomendadas,

contacte a un Centro de Servicio Autorizado **TRUPER**.

Bujía

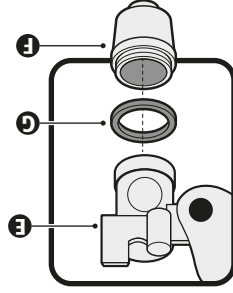
Filtro de combustible

- Antes de extraer la bujía (B), limpie el área alrededor de la base de la bujía para que no ingresen polvo ni desechos al motor. Después retire la bujía con ayuda de una llave.
- Limpie los depósitos de carbón de los electrodos de la bujía con un limpiador para bujías o un cepillo de alambre.
- Reemplace la bujía por otra igual si está dañada, desgastada o su renulización es dudosa.
- Mida la abertura que existe entre los dos electrodos con un calibrador de bujías. La distancia entre el electrodo central y el electrodo lateral deberá medir entre 0.7 mm y 0.8 mm.
- Revise que la arandela de la bujía está en buenas condiciones, inserte la bujía manualmente para prevenir una posición desajustada.
- Después que se haya colocado la bujía, ajústela con la llave para bujías para comprimir la arandela.
- En caso de instalar una bujía nueva, apriete hasta media vuelta después que la bujía esté en su lugar y se pueda comprimir la arandela. Si va a instalar una bujía usada, apriete hasta 1/8 - 1/4 de vuelta después que la bujía esté en su lugar y se pueda comprimir la arandela.
- Las bujías mal instaladas o fuera de rango se pueden sobrecalentar dañando el motor.

Almacenaje y transporte

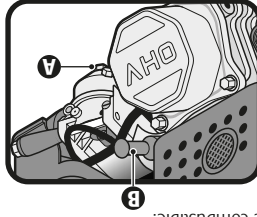
- Cuando nueva de lugar el equipo, apague el interruptor del motor y cierre la llave de combustible, mantenga nivelado el equipo para prevenir que se derrame combustible.
- Cuando almacene el equipo por periodos largos:
 - Drene por completo todo el combustible del equipo como se indica en el apartado anterior. Después arranque el motor hasta que se consuma todo el combustible del interior del motor.
 - Reemplace el aceite como se indica en la página 11.
 - Retire la bujía y vierta una cucharada de aceite SAE-10W/50 en el cilindro. Tire de la manija del arrancador para que el aceite se distribuya en el sistema. Después coloque la bujía.
- Jale suavemente la manija del arrancador hasta que sienta resistencia. Lo que indica que el cilindro está llegando a su fase de compresión y las válvulas de escape y absorción están cerradas. Guardar el equipo en estas condiciones evita corrosiones internas.
- Limpie el equipo con un trapo húmedo y cúbralo para evitar la acumulación y entrada de polvo.
- Almacene el equipo en un lugar limpio, seco y fuera del alcance de los niños.

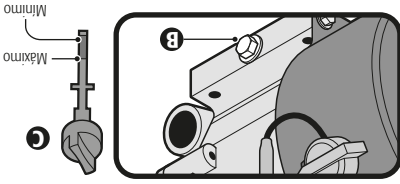
- El filtro del combustible impide que agua o polvo presentes en el tanque de combustible, entren al carburador. Si el motor no se ha encendido después de mucho tiempo, el contenedor de sedimentos deberá limpiarse:
- Con el motor apagado y a temperatura ambiente cierre la llave de combustible (E).
- Retire el contenedor de sedimento (F), limpie su interior.
- Permita que el contenedor se seque por completo.
- Verifique que el empaque (C) se encuentre en buenas condiciones y vuelva a colocar el contenedor de sedimentos en su lugar:
- El filtro de combustible del tanque deberá lavarse de acuerdo al programa de mantenimiento indicado en la página 11.



Drenado de combustible

- Coloque debajo del tanque un contenedor adecuado para recibir gasoilina y utilice un embudo para evitar que se salpique el combustible.
- Con la llave del combustible cerrada retire y limpie el filtro de combustible como se indica más arriba.
- Antes de colocar el filtro abra la llave de combustible para drenar todo el contenido del tanque de combustible. Una vez drenado coloque el filtro y el contenedor de debajo del carburador un contenedor adecuado para recibir gasoilina y utilice un embudo para evitar que se salpique el combustible.
- Una vez que se ha drenado el combustible en el contenedor, coloque de nuevo el perno de drenaje y su arandela, apretándolos firmemente.
- Limpie todo derrame de combustible.





Cambio de aceite

- El tapón de drenaje de aceite se localiza debajo del motor (B).
- Coloque un contenedor adecuado debajo del motor para recibir el aceite, retire el tapón de drenaje y después el tapón del tanque (C). Una vez que se vacíe el aceite, vuelva a colocar el tapón de drenaje.
- Limpie cualquier derrame o salpicadura.
- Rellene el tanque con aceite SAE-10W/30.
- Revise el nivel de aceite colocando el tapón del tanque de aceite sin atornillarlo. El nivel de aceite debe estar entre las marcas *mínimo* y *máximo* de la varilla.
- Asegúrese de que el nivel no exceda la marca de *máximo*. Apriete el tapón del tanque cuando el nivel sea el adecuado.
- Detenga el motor y permita que corra brevemente. aceite de nuevo. Rellene si es necesario.
- Por ningún motivo tire el aceite al drenaje. Lleve el aceite usado y el filtro de aceite a una unidad de reciclaje.

Filtro de aire

- Revise el filtro de aire para asegurarse de que esté en buenas condiciones. Recuerde que un filtro sucio puede causar dificultades de arranque y pérdida de rendimiento y accortar la vida útil del motor.
- Retire la tuerca de mariposa y después quite la cubierta del filtro y quite el elemento del filtro.
- Separe el elemento filtro de esponja del elemento filtro papel.
- Lave el filtro de esponja con una solución de detergente y agua caliente. Deje secar por completo el filtro.
- Remoje el filtro de esponja en aceite de motor limpio SAE-20. Exprima hasta eliminar el exceso de aceite. El motor podrá desprender humo durante el arranque si se deja mucho aceite en el filtro.
- Instale el filtro en su contenedor y regrese la cubierta a su lugar.
- **¡ATENCIÓN!** Nunca utilice gasolina para limpiar el filtro de aire, podría ocasionar una explosión o incendio. Nunca encienda el equipo sin el filtro de aire. El motor se desgastará más rápido.

1. En caso de operar el equipo en ambientes con mucho polvo realice el mantenimiento con más frecuencia.
2. Acuda a un Centro de Servicio Autorizado **TRUPER** para este servicio.

Mantenimiento periódico	Antes de cada uso	Cada 20 h	Cada 50 h	Cada 100 h	Cada 300 h
Inspección general	realizar				
Acetite del motor	revisar	revisar	revisar		
Filtro de aire	revisar		limpiar (1)		
Contenedor de sedimentos			limpiar		
Bujía			limpiar / reajustar		
Despeje de válvula			revisar / reajustar (2)		
Tanque de combustible y colador				limpiar (2)	
Línea de combustible			revisar y cambiar de ser necesario cada 5 años (2)		
Tapa del tanque de combustible				limpiar	limpiar
Filtro de combustible					limpiar

• No altere los dispositivos de seguridad. Verifique su correcto funcionamiento regularmente.
• Cualquier parte gastada o dañada debe de ser reemplazada antes de utilizar el equipo. No intente reparar las piezas, pues pueden dañar el equipo y poner en riesgo su seguridad.
• Cualquier reparación o mantenimiento distintos a los descritos en esta sección, como por ejemplo el ajuste del carburador, debe ser realizado únicamente en un Centro de Servicio Autorizado **TRUPER**.

• **¡ATENCIÓN!** El mantenimiento regular y cuidadoso es esencial para mantener los niveles de seguridad y el desempeño óptimos del equipo.
• Antes de limpiar, reparar, inspeccionar o guardar el equipo, apague el motor y espere a que el motor se enfríe por completo.
• Mantenga tuercas, pernos y tornillos ajustados para asegurarse de que el equipo se encuentre en una condición de trabajo segura.

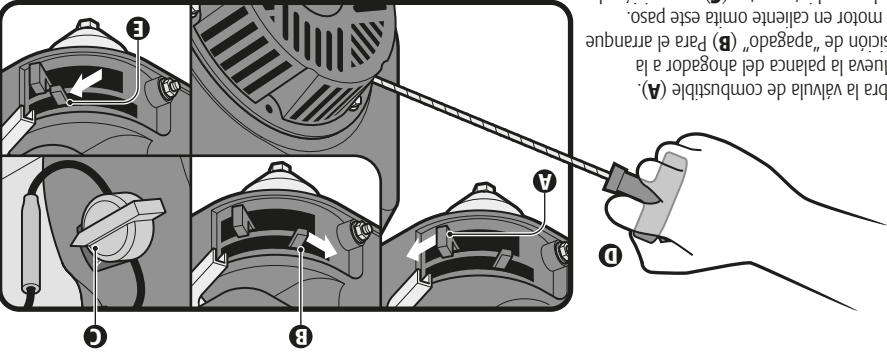
Mantenimiento

Encendido

ATENCIÓN Antes de encender el motor es indispensable cumplir con los siguientes puntos, de lo contrario podrá dañarse y la garantía se invalidará:

- Los niveles de gasolina y aceite deben de ser los correctos.

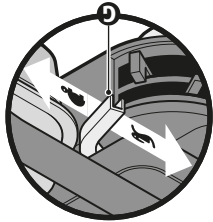
- Abra la válvula de combustible (A).
- Mueva la palanca del ahogador a la posición de "apagado" (B) Para el arranque.
- Coloque el interruptor (C) en posición de "encendido" (ON).



- Mueva la palanca de aceleración (G) a la posición intermedia entre velocidad lenta (🐢) y rápida (🐕).
- Jale suavemente la manija del arrancador (D) hasta sentir resistencia en la línea. Después jale con fuerza para arrancar el motor.

ATENCIÓN Regrese la manija a su lugar con cuidado. No la suelte, de lo contrario regresará bruscamente y podría dañarse.

- Permita que el motor funcione 5 segundos y después mueva la palanca del ahogador a la posición de "Encendido" (E).
- Esta unidad incluye un sensor de nivel bajo de aceite que evita que el motor sea operado con un nivel de aceite crítico.



Apagado

- Mueva la palanca de aceleración (G) a la posición de velocidad baja (🐢).
- Coloque el interruptor (C) en la posición de "apagado" (OFF).

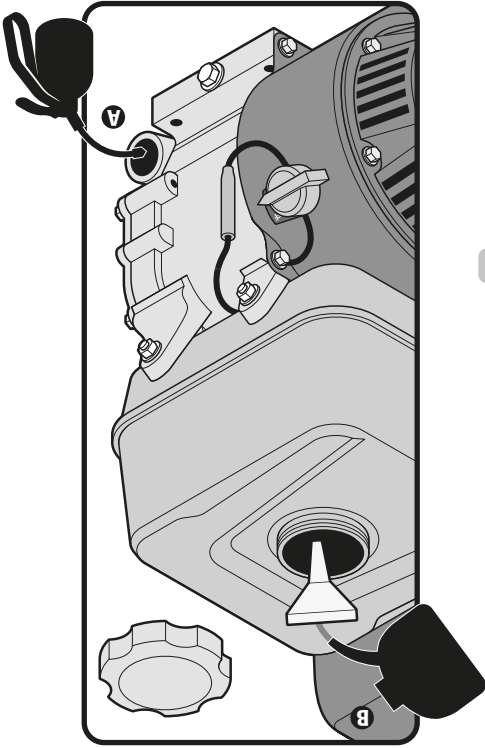
- Cierre la válvula de combustible (A) moviendo la palanca a la posición cerrada (OFF).
- Mueva la palanca del ahogador (D) a la posición de apagado (OFF).

ATENCIÓN Para detener el motor en momentos de emergencias, directamente coloque el interruptor (C) del motor en la posición de "apagado".

Combustible y aceite

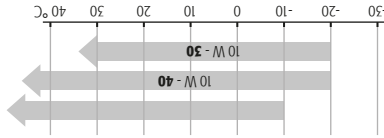
Abastecimiento de combustible (B)

- Coloque el equipo en una superficie plana y nivelada.
- Retire la tapa del combustible.
- Con ayuda de un embudo llene el tanque de combustible lentamente hasta la parte baja del cuello del tanque. No llene demasiado para permitir la expansión del combustible y evitar derrames.
- Limpie cualquier derrame de combustible.
- Tape el tanque girando la tapa hasta escuchar un clic.
- Limpie todo derrame de combustible antes de encender.



Abastecimiento de aceite (A)

- Coloque el equipo en una superficie plana y nivelada.
- Cierre y retire el tapón de abastecimiento de aceite.
- Utilice aceite para motor de 4 tiempos. Se recomienda aceite SAE 10 W/50 para uso general a cualquier temperatura. Como se indica en la siguiente tabla, otras viscosidades podrán utilizarse cuando la temperatura promedio en su localidad se encuentre dentro del rango indicado.



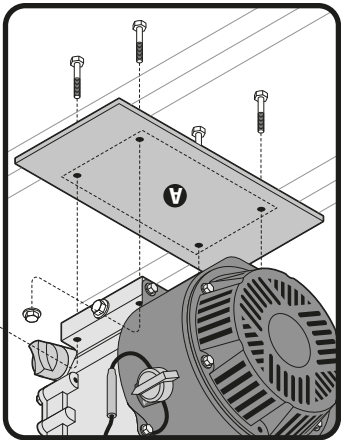
- Coloque de nuevo el tapón y retirelo para revisar el nivel de aceite en la varilla del tapón.
- Una vez que el tanque tenga el nivel correcto de aceite indicado en la varilla, apriete el tapón para evitar fugas.
- No exceda el nivel máximo de aceite, ya que puede salir mucho humo del silenciador cuando arranque el motor.
- **ATENCIÓN** Revise el nivel de aceite antes de cada uso. De ser necesario agregue aceite hasta que el nivel se encuentre entre los límites de la varilla del tapón.
- **ATENCIÓN** Cambie el aceite después de 20 horas de operación o cada temporada. En condiciones de mucho polvo o suciedad puede ser necesario hacer el cambio de aceite más a menudo.

Operación a gran altitud

- A una gran altitud, la mezcla aire-combustible del carburador estándar será rica en combustible. El desempeño disminuirá y el consumo de combustible aumentará.
- El desempeño durante una operación a gran altitud podrá mejorar si se regula el carburador ajustando el perno principal, el motor está ajustada para operar a altitudes superiores a 1 820 metros (6 000 pies) sobre el nivel del mar. Si nota que el motor no opera de manera eficiente, acuda a un Centro de Servicio Autorizado TRUPER para que se realicen las modificaciones correspondientes al carburador.
- Aunque el carburador cuente con una inyección adecuada, la potencia del motor disminuirá aproximadamente 3,5% por cada incremento de 305 m (1 000 pies) después de 2 100 m (6 890 pies) sobre el nivel del mar. La disminución de potencia, será mayor si no se realizan modificaciones al carburador.
- **ADVERTENCIA** Si el motor es operada a una altitud inadecuada al ajuste del carburador, se podría obtener un bajo rendimiento, sobrecalentamiento y daños graves al motor provocados por la mezcla excesiva de aire en el combustible.

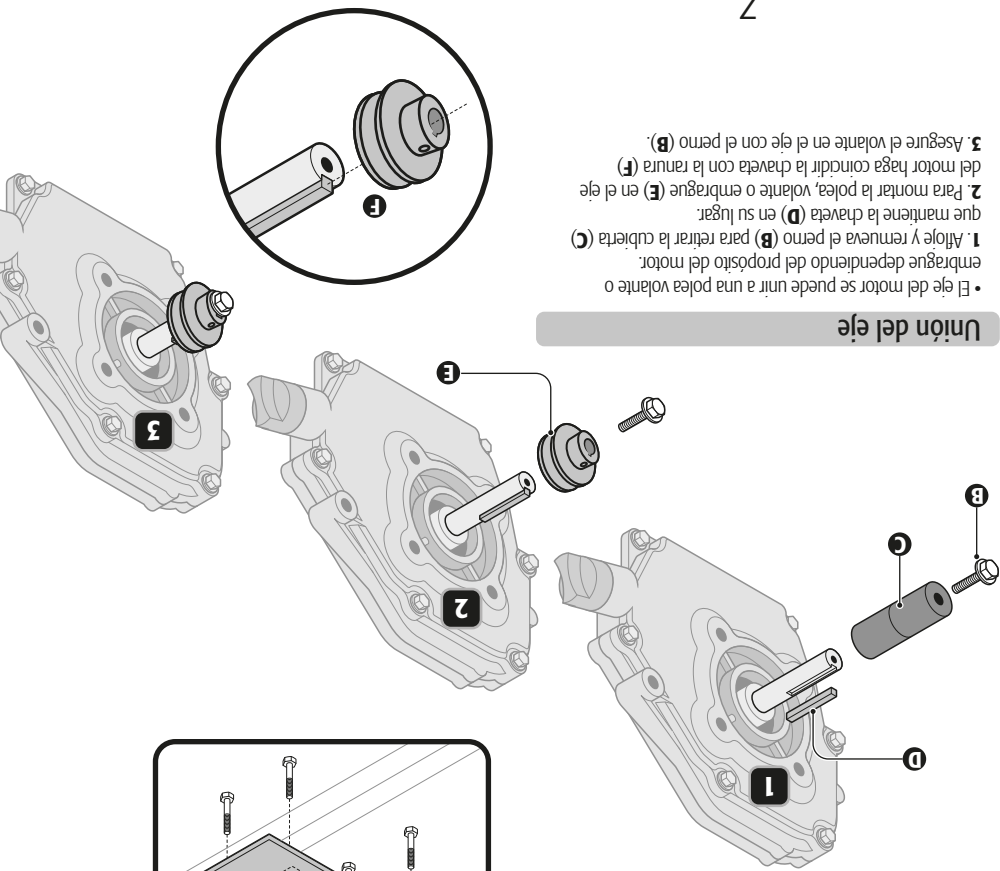
Montaje del motor

- El motor debe fijarse a una placa (A) soldada a la estructura o chasis de la máquina donde se alojará el motor. Esta placa debe ser mayor que la base del motor y tener cuatro perforaciones para fijar el motor con cuatro juegos de pernos hexagonales.
- NOTA** El motor debe ser montado sobre una superficie nivelada de lo contrario el motor puede dañarse debido a una lubricación inadecuada.

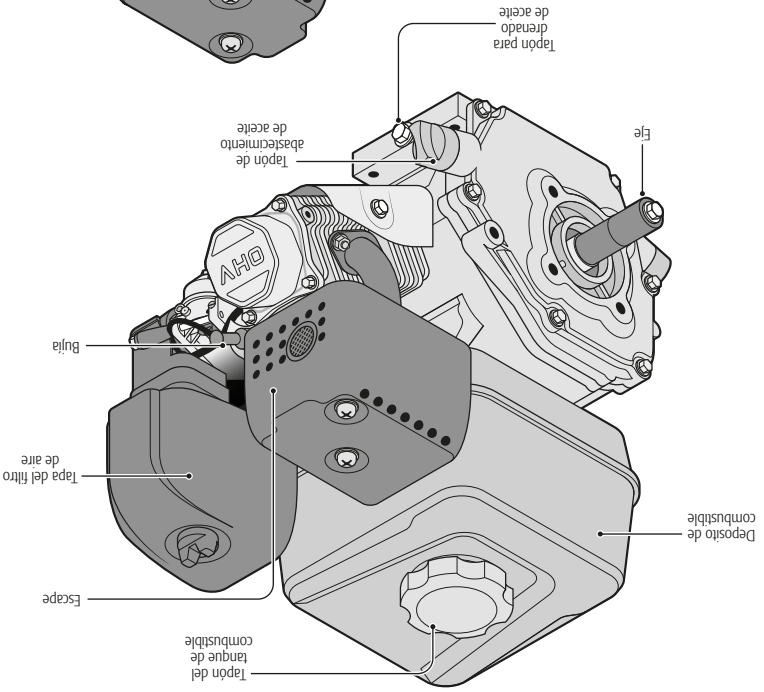
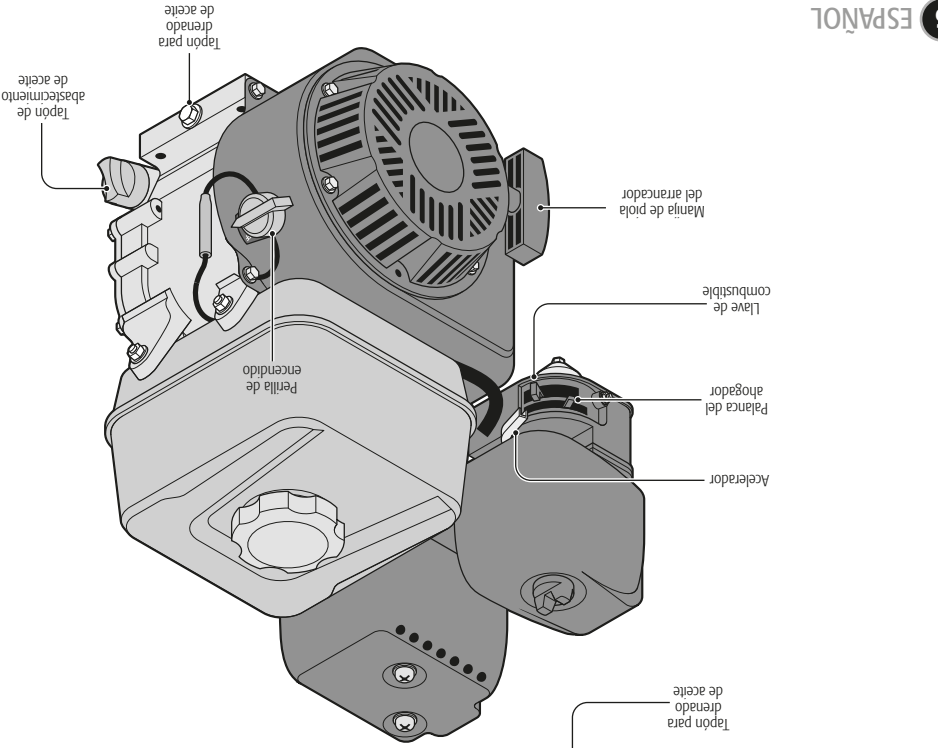


Unión del eje

- El eje del motor se puede unir a una polea volante o embrague dependiendo del propósito del motor.
- 1. Afloje y remueva el perno (B) para retirar la cubierta (C) que mantiene la chaveta (D) en su lugar.
- 2. Para montar la polea, volante o embrague (E) en el eje del motor haga coincidir la chaveta con la ranura (F).
- 3. Asegure el volante en el eje con el perno (B).



Z



Manejo de combustible

• Nunca fume cerca del combustible, ni de la zona en donde se abastezca de la gasolina, ni al operar el motor.



- Para reducir el riesgo de incendio o quemaduras maneje el combustible con cuidado, es muy inflamable.
- No permita que la gasolina o el aceite tengan contacto con la piel.
- Protéjase los ojos para evitar salpicaduras de la gasolina y el aceite. En caso de contacto accidental lávelos inmediatamente con agua limpia. Si persiste la irritación acuda a un médico.

- **ADVERTENCIA** • Antes de reabastecer el equipo de combustible, apague el motor, colóquelo en suelo despejado y espere a que el motor se enfríe.
- **ATENCIÓN** • Limpie todo el combustible que pueda haber caído en el equipo antes de operar.
- **ATENCIÓN** • Revise si hay fugas de combustible, de ser así corrijalas antes de usar el equipo, para evitar incendios o lesiones por quemadura.
- Bajo ninguna circunstancia quemar el combustible derramado para eliminarlo.
- Por ningún motivo utilice cualquier otro tipo de combustible que el especificado en el instructivo.

Advertencias Generales de Seguridad para uso de herramientas motorizadas

PRETUL®

⚠ ATENCIÓN Mantenga su área de trabajo limpia, ordenada y bien iluminada.

⚠ ATENCIÓN Áreas desordenadas y oscuras pueden provocar accidentes.



⚠ PELIGRO Nunca utilice el equipo en ambientes explosivos, o en presencia de líquidos inflamables.

⚠ PELIGRO Aleje el equipo al menos 9 metros (30 pies) del lugar de recarga de combustible antes de arrancar el motor.



⚠ ADVERTENCIA Mantenga a los niños y a otras personas a una distancia segura mientras utiliza el equipo.



⚠ ADVERTENCIA Las distracciones pueden hacerle perder el control y provocar accidentes.

⚠ PELIGRO Evite hacer contacto con líneas y circuitos eléctricos.



Ubique y evite todas las líneas y circuitos eléctricos, especialmente el cableado oculto.

Así como cualquier objeto conectado a tierra.

⚠ ATENCIÓN Este siempre alerta, sea prudente y utilice el sentido común.

⚠ ATENCIÓN No deje que la familiaridad con el uso del equipo lo distraiga mientras lo utiliza.

Esto puede provocar accidentes.

⚠ PELIGRO No utilice el equipo si está cansado, o bajo la influencia de drogas, alcohol o medicamentos.

⚠ PELIGRO Un momento de distracción mientras utiliza el equipo puede provocar lesiones personales graves.

⚠ PELIGRO Utilice el equipo con sus guardas y protectores en su lugar y en buen estado.

⚠ ADVERTENCIA De no hacerlo se expone a lesiones personales graves.

⚠ ATENCIÓN Nunca fuerce el equipo. Trabajar dentro del rango para el que fue diseñado asegura un mejor trabajo y es más seguro.



⚠ ADVERTENCIA Guarde el equipo en un lugar seguro fuera del alcance de los niños.

⚠ ADVERTENCIA Los equipos motorizados son peligrosos en manos inexpertas.



⚠ ADVERTENCIA Utilice la indumentaria adecuada.

⚠ ADVERTENCIA La ropa suelta, joyas o cabello largo pueden ser atrapados por las piezas móviles.



⚠ ADVERTENCIA Mantenga las manos alejadas de las partes giratorias y/o móviles.

⚠ ADVERTENCIA De no hacerlo se expone a lesiones personales graves.



⚠ PELIGRO No utilice el equipo en espacios encerrados. Para evitar respirar la acumulación de monóxido de carbono, gas indoloro tóxico y potencialmente mortal.



⚠ ATENCIÓN Utilice equipo adecuado de protección personal.

⚠ ATENCIÓN Usar protección para los ojos, mascarillas anti polvo, zapatos de seguridad antideslizantes, casco, protección para los oídos y guantes de seguridad, reduce considerablemente el riesgo de lesiones.



⚠ ADVERTENCIA Apague el equipo antes de hacer ajustes, cambiar sus accesorios o guardarlos.

⚠ ADVERTENCIA Asegúrese de que el interruptor del equipo esté en posición de apagado.

⚠ ADVERTENCIA Nunca utilice el equipo si el interruptor no funciona o no está debidamente ensamblado.

⚠ ADVERTENCIA De hacerlo se expone a lesiones personales graves, repárelo inmediatamente en un Centro de Servicio Autorizado **TRUPER**.

⚠ ATENCIÓN No sobre extienda su campo de acción.

⚠ ATENCIÓN Un buen apoyo y equilibrio permiten un mejor control del equipo en situaciones inesperadas.

⚠ ADVERTENCIA Evite encendidos accidentales.

⚠ ADVERTENCIA Asegúrese de que el motor del equipo esté apagado antes de dejarlo o darle mantenimiento.



⚠ PELIGRO Retire cualquier llave de ajuste antes de encender el equipo.

Herramientas adicionales o llaves colocadas en piezas giratorias del equipo puede provocar lesiones personales graves.

⚠ ATENCIÓN Dele mantenimiento al equipo y certifíquese que se encuentra en condiciones óptimas antes de utilizarlo.



Revise cuidadosamente sus partes móviles, su alineación y montaje. Hágalo periódicamente. Busque cualquier elemento dañado o pieza que no funcione adecuadamente para su inmediata reparación en un Centro de Servicio Autorizado **TRUPER**.

⚠ ATENCIÓN Utilice sólo los accesorios o relaciones indicados en este instructivo o certificados por **TRUPER**.

⚠ PELIGRO Nunca deje el equipo en marcha sin supervisión. Apaguelo después de operar y antes de colocarlo en un lugar seguro para evitar accidentes graves.

⚠ PELIGRO Nunca fume cerca del combustible.

⚠ PELIGRO No fume cerca de la zona en donde se abastezca de combustible, ni al operar el equipo.



⚠ PELIGRO No toque las partes con altas temperaturas. La superficie del motor y del escape alcanzan altas temperaturas durante la operación del equipo.

Servicio y reparación

Acuda siempre a un Centro de Servicio Autorizado **TRUPER** para utilizar piezas de repuesto idénticas y así mantener la seguridad de la herramienta.

Requerimientos de combustible

- El equipo tiene un motor de 4 tiempos enfriado por aire que utiliza gasolina pura sin plomo.
- Por ningún motivo mezcle aceite con el combustible.
- **ADVERTENCIA** • Por ningún motivo utilice combustibles mezclados con alcohol etílico (gasohol), etanol o metano, ya que pueden atraer humedad, la cual provoca la separación y la formación de ácidos durante el almacenaje. La acidez puede dañar el sistema de combustible del motor cuando se encuentre almacenado.
- Para no tener problemas con el motor se debe vaciar el sistema de combustible antes de almacenar el equipo por periodos de 30 días o más tiempo. Vacíe el tanque de gasolina, arranque el motor y déjelo funcionar hasta que

- Nunca use dentro del tanque de gasolina, productos para limpiar motores o carburadores ya que puede ocasionar daño permanente.
- **PELIGRO** Para evitar respirar la acumulación de monóxido de carbono, gas indoloro tóxico y potencialmente mortal.
- **PELIGRO** No fume cerca de la zona en donde se abastezca de combustible, ni al operar el equipo.



No fume cerca de la zona en donde se abastezca de combustible, ni al operar el equipo.



PELIGRO Para evitar respirar la acumulación de monóxido de carbono, gas indoloro tóxico y potencialmente mortal.

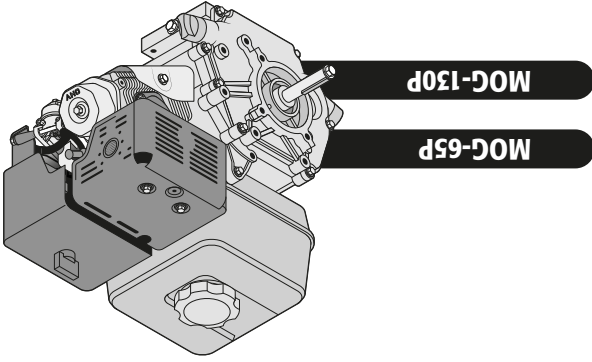
No utilice el equipo en espacios cerrados.

Sensor de nivel bajo de aceite

• Código	28114	28115
• Descripción	Motor a gasolina	
• Cilindrada del motor	196 cm ³ (cc)	389 cm ³ (cc)
• Potencia nominal del motor	4 847 W (6,5 Hp)	9 694 W (13 Hp)
• Torque máximo	11,8 Nm	25 Nm
• Tipo de motor	OHV a 4 tiempos	
• Diámetro / tipo del eje	3/4" (19 mm) con cuña	1" (25 mm) con cuña
• Velocidad sin carga	3 600 r/min	
• Combustible	Gasolina	
• Capacidad del tanque de gasolina	2,9 L	5,7 L
• Consumo de combustible	0,7 L/h	1,5 L/h
• Tipo de aceite	SAE 10W/30	
• Nivel sonoro	> 94 dB	
• Peso	13 kg	29 kg

MOC-130P

MOC-65P



Los gráficos de este instructivo son para referencia, pueden variar del aspecto real de la herramienta.
 Guarde este instructivo para futuras referencias.

Para poder sacar el máximo provecho de la herramienta, alargur su vida útil, hacer válida la garantía en caso de ser necesario y evitar riesgos o lesiones graves, es fundamental leer este instructivo por completo antes de usar la herramienta.

ATENCIÓN

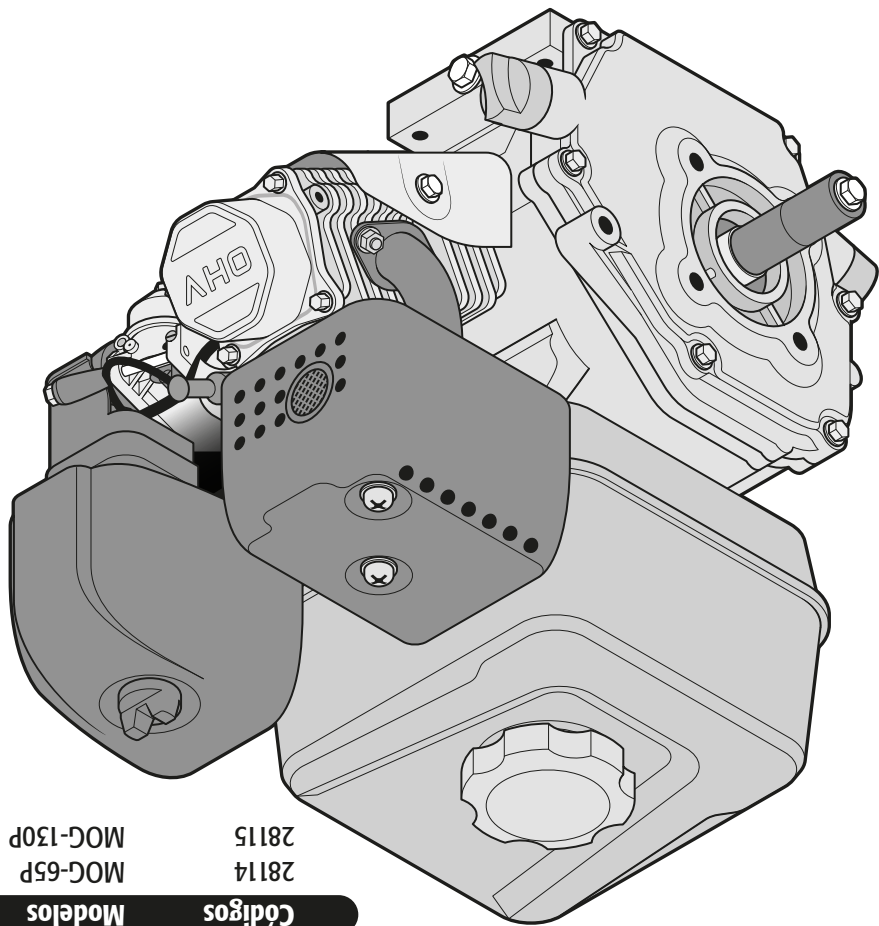
- 3 Especificaciones técnicas
- 3 Requerimientos de combustible
- 4 Advertencias Generales de Seguridad para uso de herramientas motorizadas
- 5 Advertencias de Seguridad para uso de motores a gasolina
- 6 Partes
- 7 Ensamble
- 8 Combustible y aceite
- 9 Puesta en marcha
- 10 Mantenimiento
- 12 Solución de problemas
- 13 Notas
- 15 Centros de Servicio Autorizados
- 16 Poliza de Garantía



Lea este instructivo por completo antes de usar la herramienta.



ATENCIÓN



28115 MOC-130P
28114 MOC-65P

Códigos Modelos

Este instructivo es para:

4 847 W / 9 694 W
Potencia

Instructivo de Motor a gasolina

PRETUL[®]

ESPAÑOL
ENGLISH